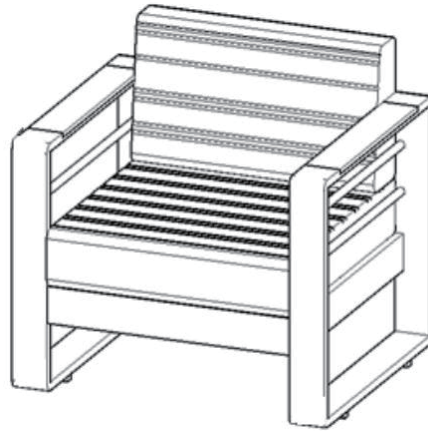


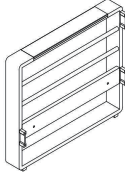
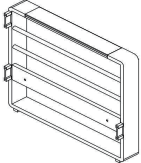

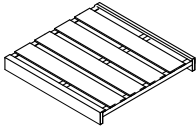
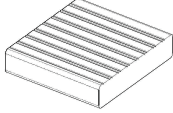
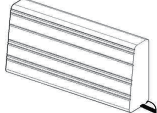
Assembly Instructions

Caution: You must read this before you proceed

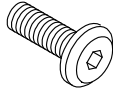
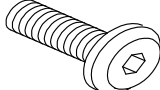
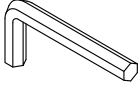
Chair



Parts List

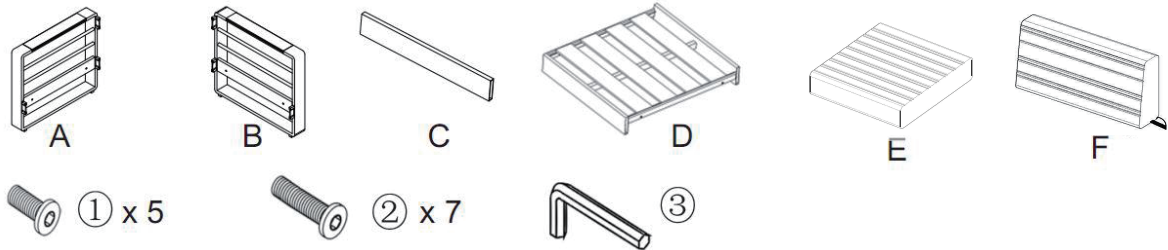
Label	Picture	Description	QTY
A		Left Side Panel	1
B		Right Side Panel	1
C		Back Support Bar	1
D		Seat (Labeled with face and bottom)	1
E		Seat Cushion	1
F		Back Cushion	1






Hardware

Label	Picture	Description	QTY
①		Bolt (M6*20MM)	5
②		Bolt (M6*25MM)	7
③		Allen wrench	1

Assembly Preparation

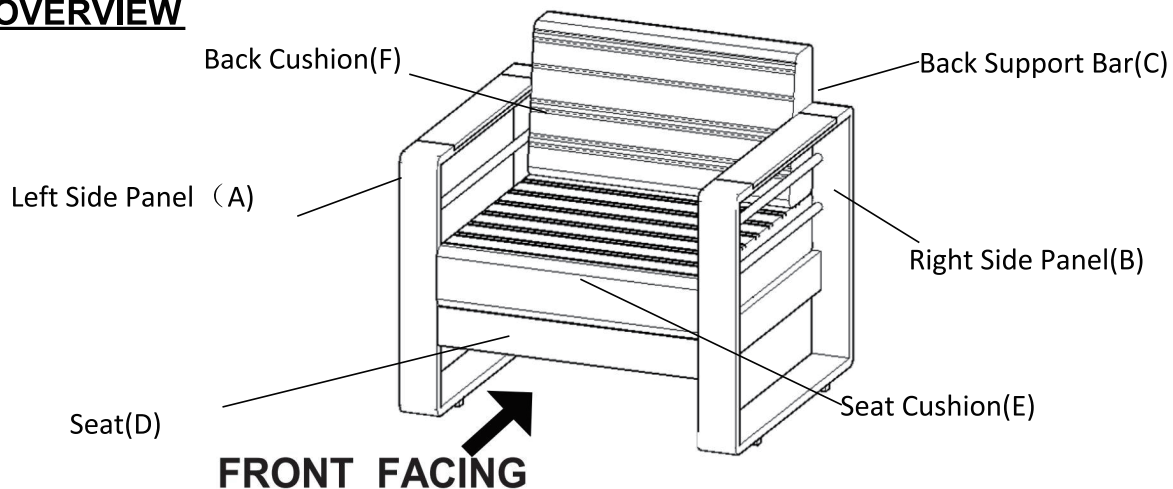
Before Beginning Assembly:



-  • Read instructions, cover to cover-
-  • Have 2 adults on hand for assembly-
-  • Do not assemble on flooring or carpet-
-  • Assemble on a clean non-marring surface (packing foam)-
-  • Save all packaging until finished-

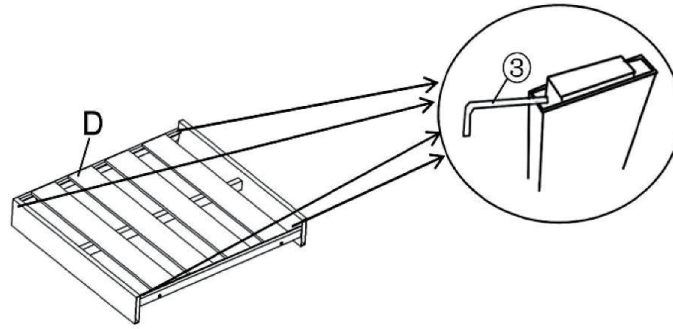
Assembly Steps

OVERVIEW



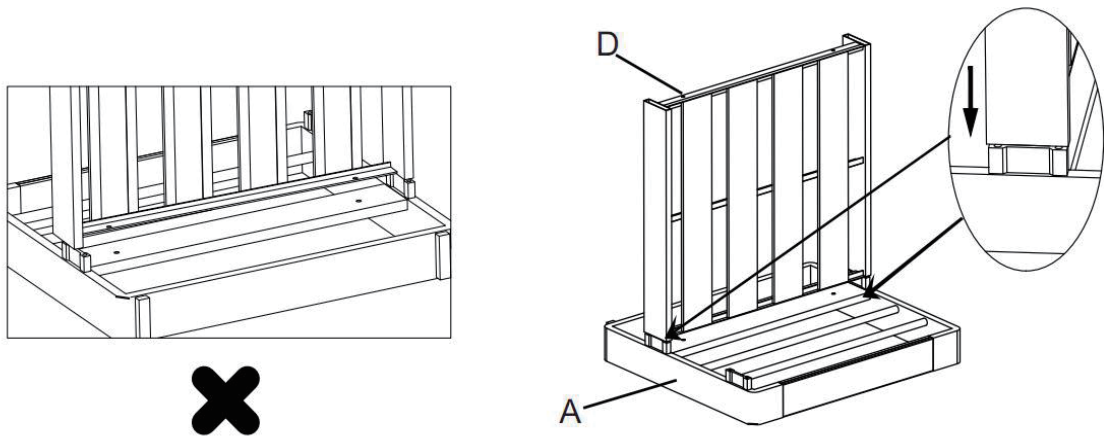
This Chair has multiple parts, the above picture is to help you put the various parts into perspective. Please read through the instructions below to familiarise yourself with the parts and steps before assembly.

Step 1



As shown above, use an inner hexagon Allen wrench (③) to remove the plastic plug (inserted to prevent aluminum deformation) from the four ends of the seat (D).
If necessary, please keep the plastic plug for repacking.

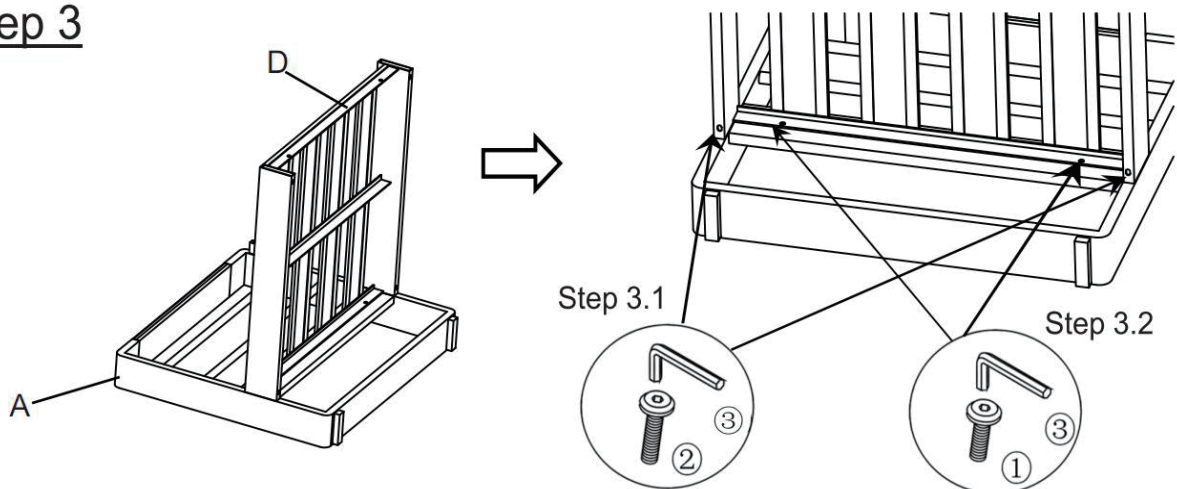
Step 2



Open the carton and place all parts on a clean, non-marring surface. Insert seat (D) into the Left Side Panel (A) as shown.

If you find the seat (D) does not align with the Left Side Panel (A), turn seat (D) upside down to match the mounting posts.

Step 3

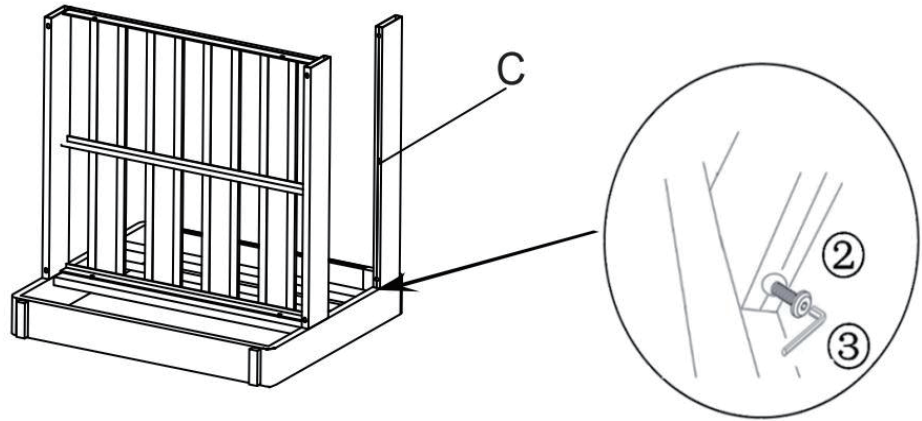


3.1) Attach Seat(D) to the Left Side Panel(A) using Bolts(②) and the Allen wrench (③) as shown in the picture.

3.2) Attach Seat(D) to the Left Side Panel(A) using Bolt(①) with Allen wrench (③) as shown in the picture.

Do not fully tighten the Bolts at this time.

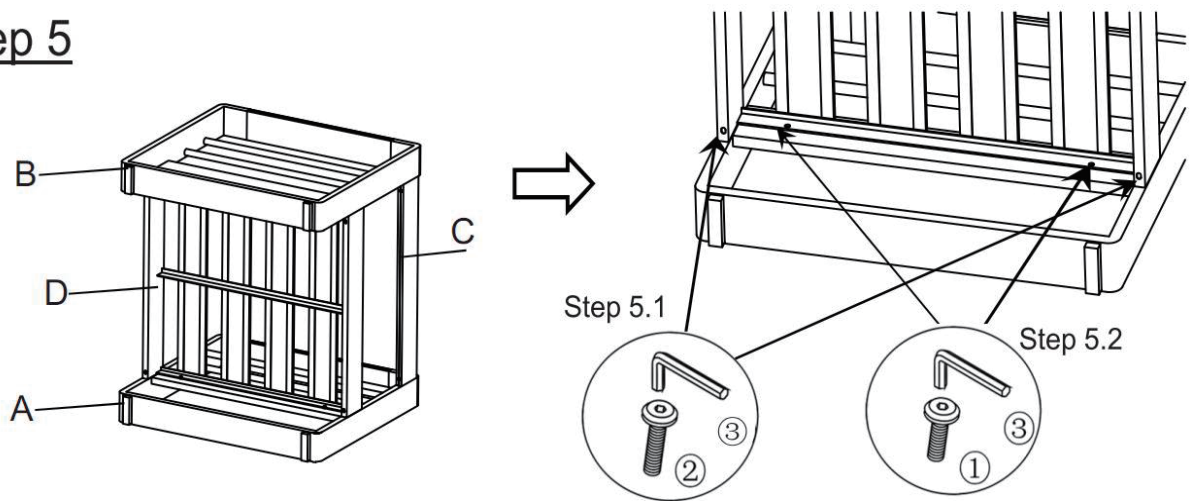
Step 4



Connect the Back Support Bar (C) to the Left Side Panel (A) using an inner hexagon Allen wrench(③)and bolt (②) as shown.

Do not tighten the bolt completely at this time.

Step 5

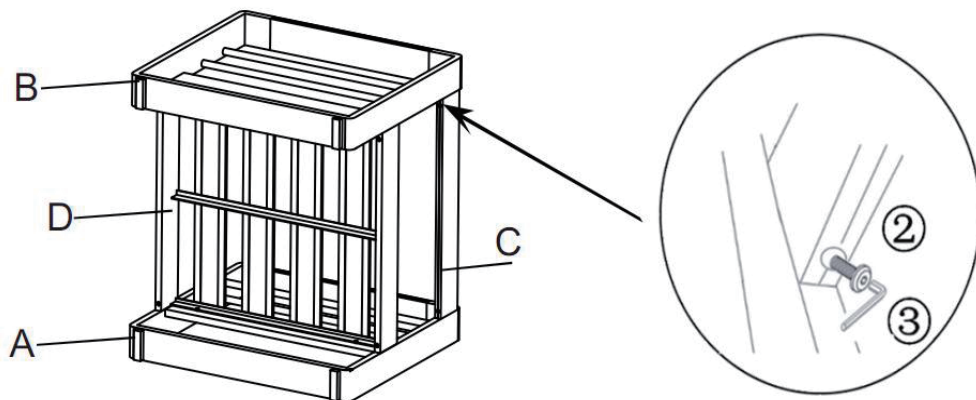


5.1) Attach the Right Side Panel(B) to the Seat(D) using Bolts(②) and the Allen wrench (③) as shown in the picture.

5.2) Attach the Right Side Panel(B) to the Seat(D) using Bolt(①) with Allen wrench (③) as shown in the picture.

Place the chair upright and test for stability.
Then proceed to fully tighten all bolts at all joints in sequence

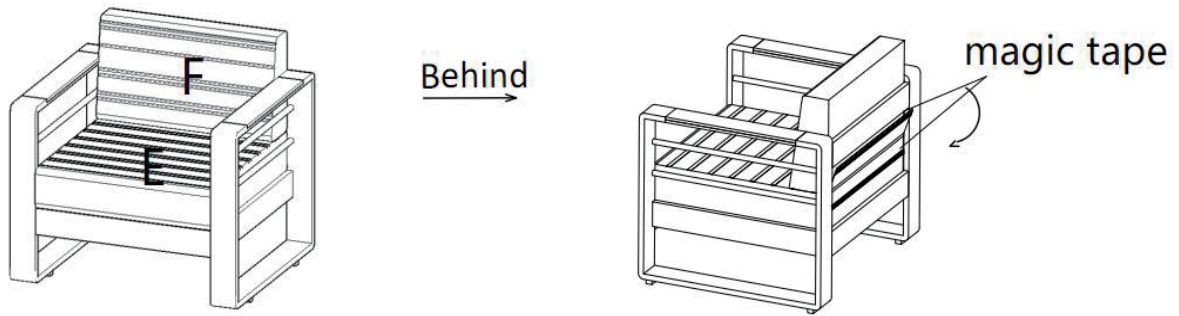
Step 6



As shown, bolt(②)and connect the Back Support Bar (C) to the right panel(B)with an inner hexagon Allen wrench (③) .

Do not tighten the bolt completely at this time.

Step 7



Set up the chair.

Place the chair on a level surface. Check and ensure that all parts are fully connected.





















Sit gently and carefully on the chair.

This will help align all the parts at all the joints.

Then carefully get off the chair and tighten all the bolts in a sequential manner. Place the seat cushions (E) and Back cushions (F) on the chair, and attach the magic tape from the back cushion to the seat cushion.

Your chair is ready.

Care & Maintenance

-   ● Do not put hot items directly on furniture surface
 -   ● Do not clean furniture with harsh cleansers or polish.
 -   ● To obtain the longest lifespan of your outdoor products, minimizing exposure to direct sunlight is recommended.
 -   ● Children should not climb or jump on the furniture.
 -   ● Do not write on furniture without a padded barrier to protect the surface.
 -   ● To obtain the longest lifespan of your outdoor products, avoid extended and lengthy exposure to rain, snow, and direct sunshine. Whenever possible cover the product and /or place under patio or awnings.
 -   ● Not for commercial use. For residential use only .
 -   ● Stains may be removed with mild soap solution and damp cloth.
 -   ● Keep away from sources of ignition.
-
-   ● Dust and pick-up spills using a clean, non-colored, lint-free cloth.