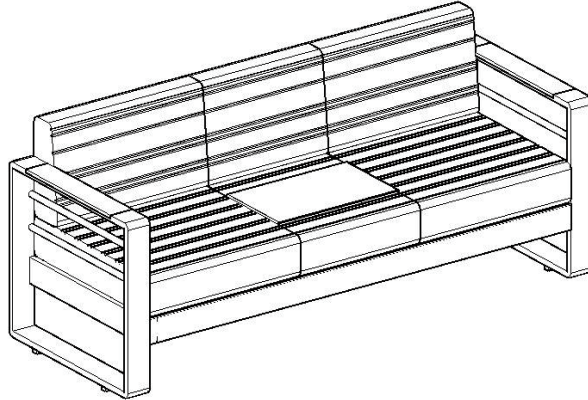


Assembly Instructions






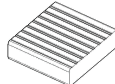
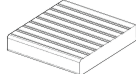
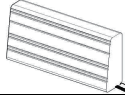
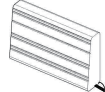
Caution: You must read this before you proceed

Please look in the red bag for hardware packs and legs.

Three-seater Sofa



Parts List

Label	Picture	Description	QTY
A		Left Side Panel	1
B		Right Side Panel	1
C		Seat Panel (with plastic plugs protector in 4 ends)	1
D		Back Support Bar	1
E		U Shape Board	1
F		Middle Cushion	1
G		Seat Cushion	2
H		Back Cushion	2
I		Middle Back Cushion	1

Hardware

Label	Picture	Description	QTY
①		Bolt(M6*20MM)	5
②		Bolt(M6*25MM)	7
③		Allen Wrench	1

Assembly Preparation

Before Beginning Assembly:



- Read instructions, cover to cover-



- Have 2 adults on hand for assembly-



- Do not assemble on flooring or carpet-



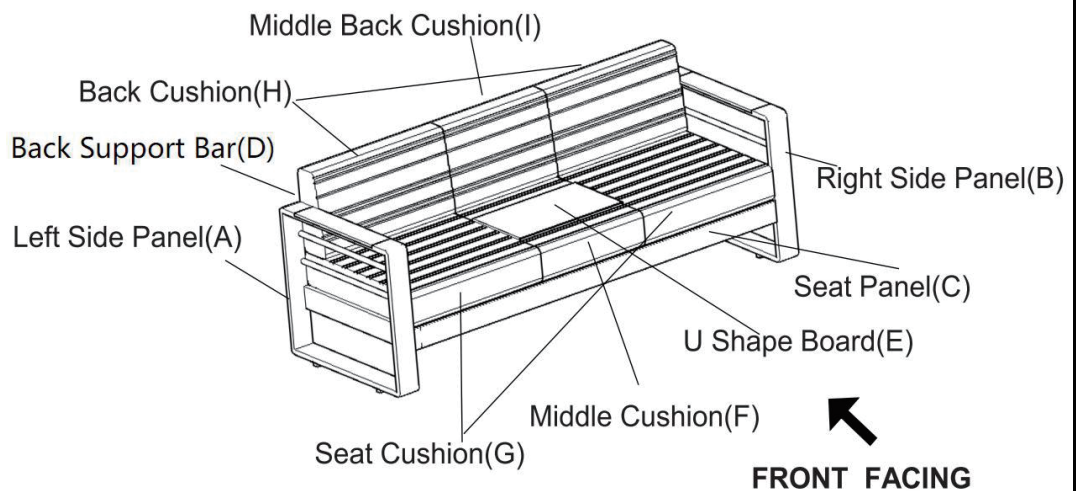
- Assemble on a clean non-marring surface (packing foam)-



- Save all packaging until finished-

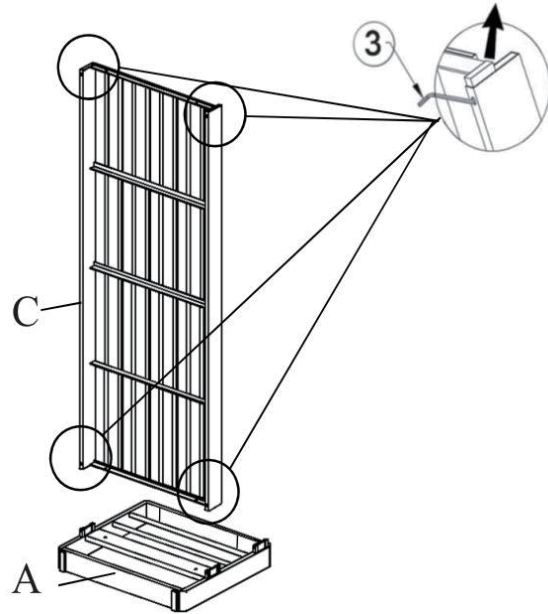
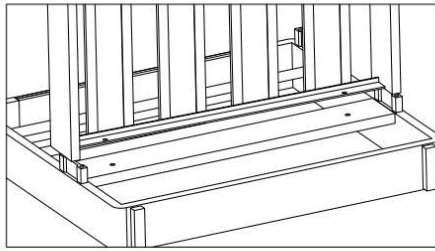
Assembly Steps

OVERVIEW



This three-seater Sofa has multiple parts and may take 30 minutes to assemble. To give you an overview of the sofa parts, the above picture is to help you put the various parts into perspective. Please read through the instructions below to familiarise yourself with the parts and steps before assembly.

Step 1



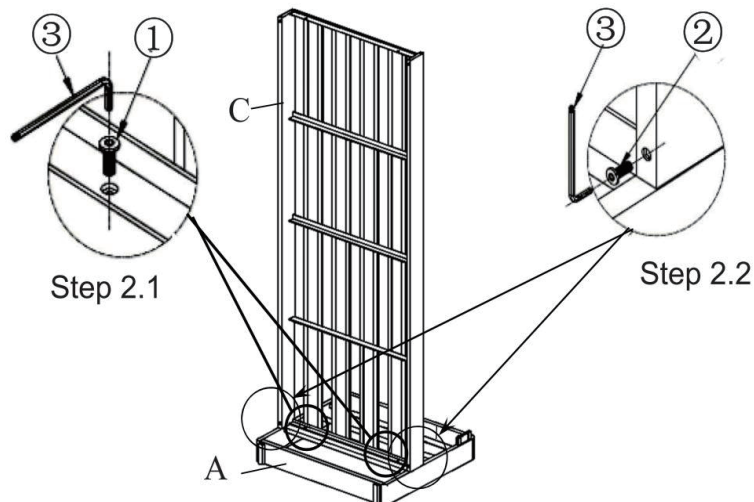
Open the carton and place all the parts onto a clean, non-marring surface.

Remove the plastic plugs (inserted to protect the aluminum from deforming) from the four ends of the Seat Panel (C) using the Allen Wrench(③) as shown above.

Please keep plastic plugs for re-packaging if needed. Place the Left Side Panel(A) with its inside facing up. Insert Seat Panel(C) onto the Left Side Panel(A).

If you find the Seat Panel (C) doesn't align with the Left Side Panel(A), please reverse the Seat Panel (C) to match the mounting positions.

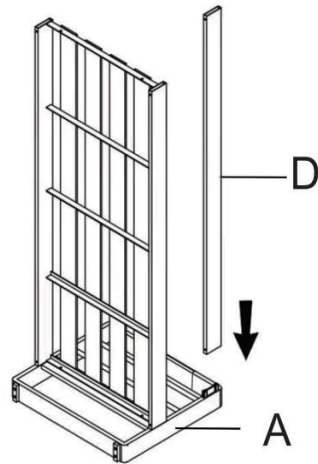
Step 2



2.1) Attach the Seat Panel(C) to the Left Side Panel(A) using Bolts(①) and the Allen wrench(③) as shown above.

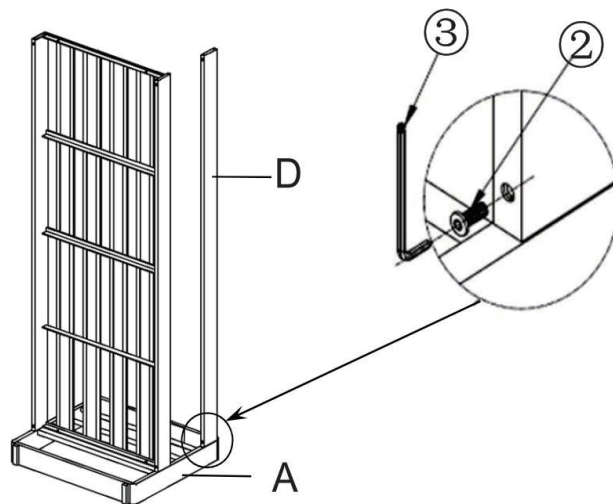
2.2) Attach the Seat Panel(C) to the Left Side Panel(A) using Bolts(②) with Allen wrench (③) as shown in the picture. Do not fully tighten the bolts at this time.

Step 3



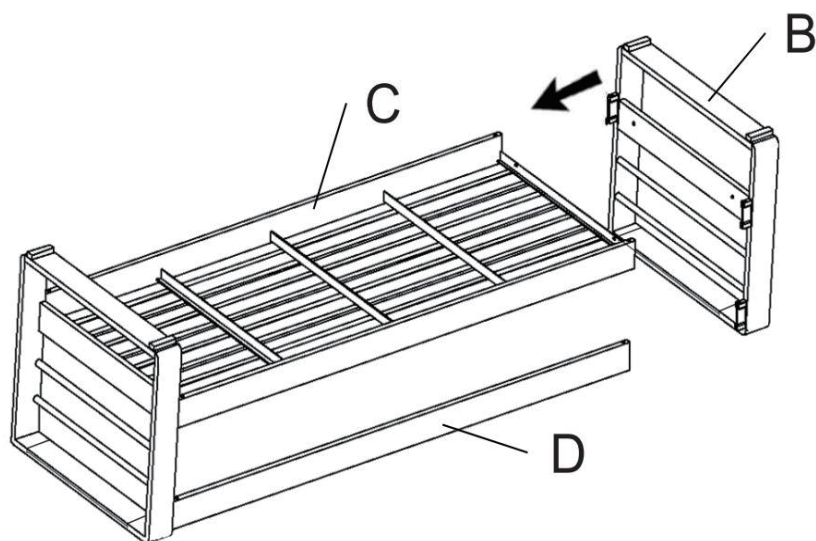
Insert the Back Support Bar(D) into the Left Side Panel(A)

Step 4



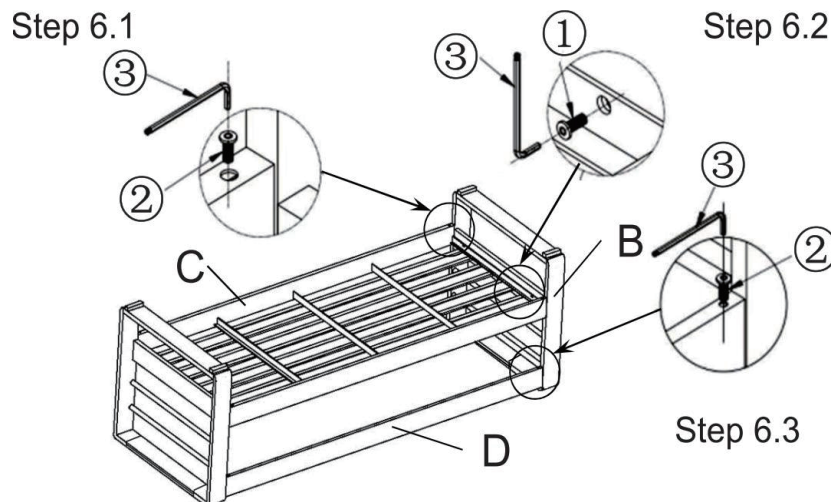
Attach the Back Support Bar(D) to the Left Side Panel(A) using Bolts(2) and the Allen wrench(3). Do not fully tighten the Bolt at this time.

Step 5



Insert the Right Side Panel(B) into the Back Support Bar(D) and the Seat Panel(C) as shown above.

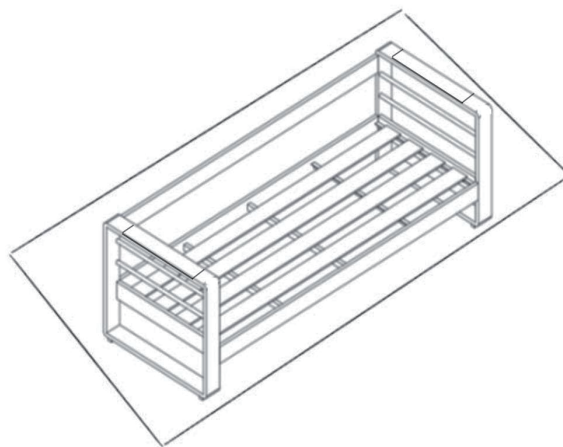
Step 6



- 6.1) Attach the Right Side Panel(B) to the Seat Panel(C) using Bolts(②) and the Allen wrench(③) as shown above.
- 6.2) Attach the Right Side Panel(B) to the Seat Panel(C) using Bolts(①) with Allen Wrench(③) as shown above.
- 6.3) Attach the Back Support Bar(D) to the Right Side Panel(B) using Bolt(②) and the Allen wrench(③) as shown above.

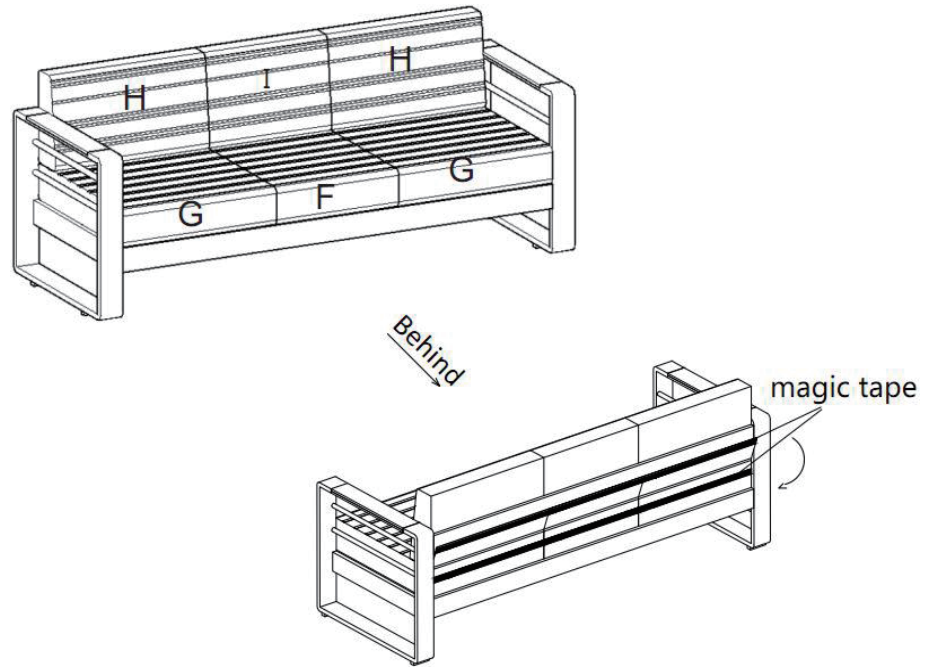
Do not fully tighten the Bolts at this time.

Step 7



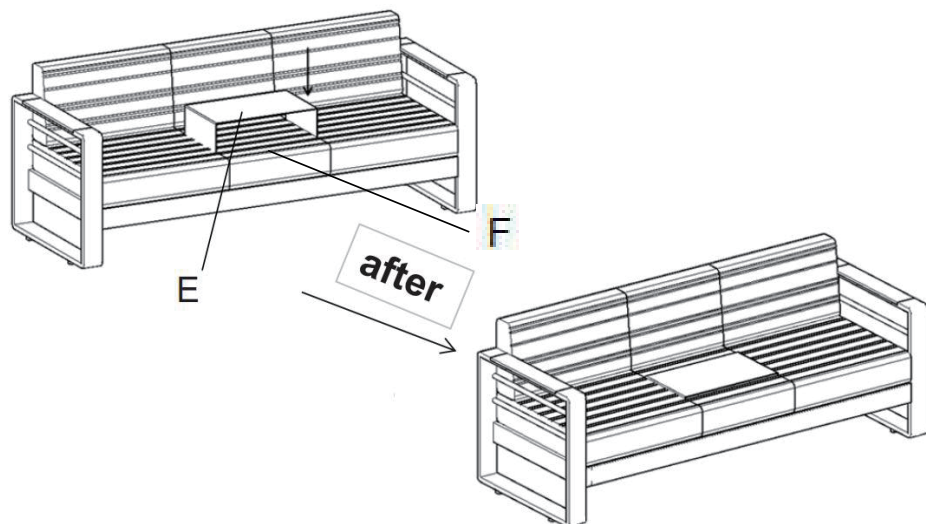
- Stand the Three-seater Sofa up.
- Place the Three-seater Sofa on a **LEVEL SURFACE**.
- Inspect it and make sure all parts are adequately connected.
- Gently and carefully, sit onto to the Sofa.
- This will help to align all parts at all joints.
- Then carefully get off the Sofa, and in a sequential manner, proceed to tighten all the Bolts.
- When tightening the Bolts, tighten sequentially.
- Do not tighten any Bolt fully and then move on to the next one.
- This may cause the frame to warp.
- If the sofa tends to wobble after tightening, loosen the Bolts and execute the same process.
- If the Three-seater Sofa is not stable it could lead to damage of the product.
- Note:** This step is done best with the assistance of a second adult.

Step 8























Place the seat Cushions (G), middle seat Cushion (F), Back cushions (H) and the middle Back cushion (I) on the Three-seater Sofa.
Then stick the magic tape from the back pad to the seat cushion, as shown above.

Step 9



Place the U Shape Board(E) on the Middle Cushion(F) as shown above.
Your Three-seater Sofa is ready for use.
This Three-seater Sofa can only be used on a flat, level surface.

Care & Maintenance

-   ● Do not put hot items directly on furniture surface
 -   ● Do not clean furniture with harsh cleansers or polish.
 -   ● To obtain the longest lifespan of your outdoor products, minimizing exposure to direct sunlight is recommended.
 -   ● Children should not climb or jump on the furniture.
 -   ● Do not write on furniture without a padded barrier to protect the surface.
 -   ● To obtain the longest lifespan of your outdoor products, avoid extended and lengthy exposure to rain, snow, and direct sunshine. Whenever possible cover the product and /or place under patio or awnings.
 -   ● Not for commercial use. For residential use only .
 -   ● Stains may be removed with mild soap solution and damp cloth.
 -   ● Keep away from sources of ignition.
-
-   ● Dust and pick-up spills using a clean, non-colored, lint-free cloth.