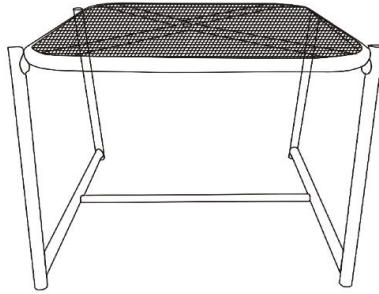


Assembly Instructions

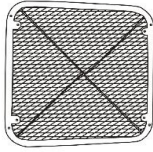
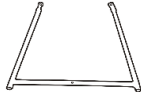

Caution : Please read this carefully before you proceed

Please look in Red Bag for hardware packs and legs.





Table



Parts List

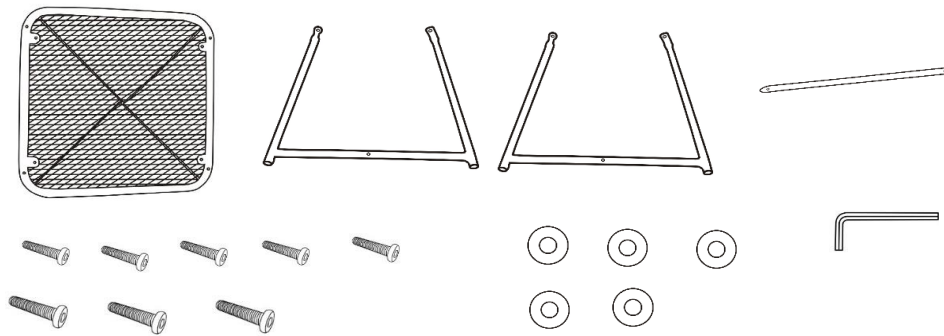
Label	Picture	Description	QTY
A		Table top	1
B		Table Leg	2
C		Support Rod	1

Hardware

Label	Picture	Description	QTY
①		Bolt (M6x14mm)	5
②		Bolt (M6x30mm)	3
③		Allen Wrench	1
④		Washer	5

Assembly Preparation

Before Beginning Assembly



- Read instructions, cover to cover-



- Have 2 adults on hand for assembly-



- Do not assemble on flooring or carpet-



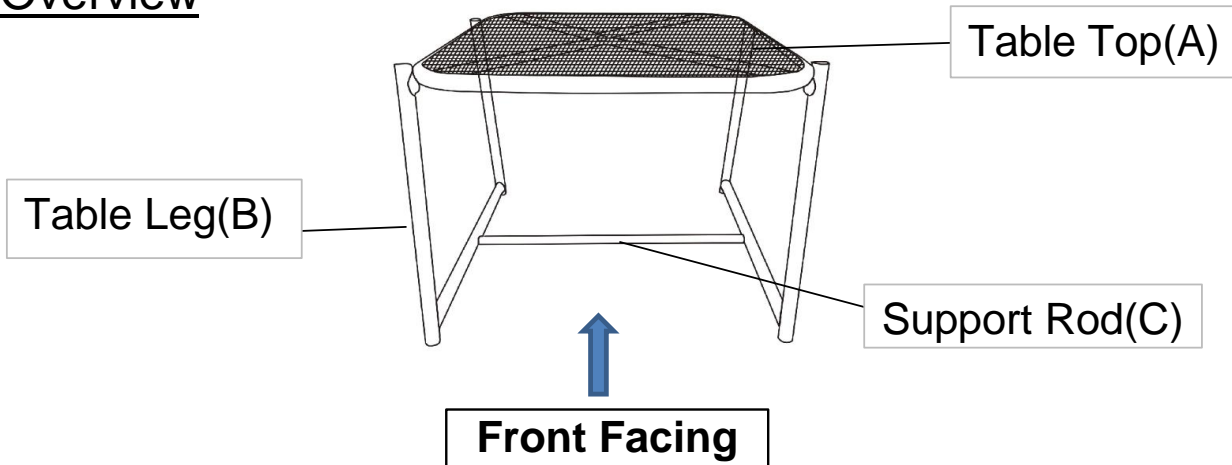
- Assemble on a clean non-marring surface (packing foam)-



- Save all packaging until finished-

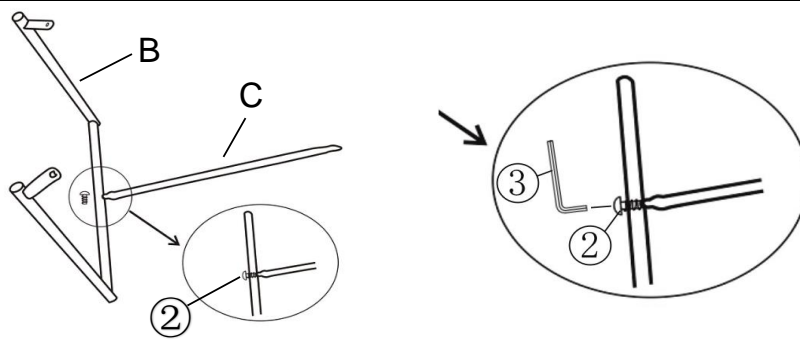
Assembly Steps

Overview



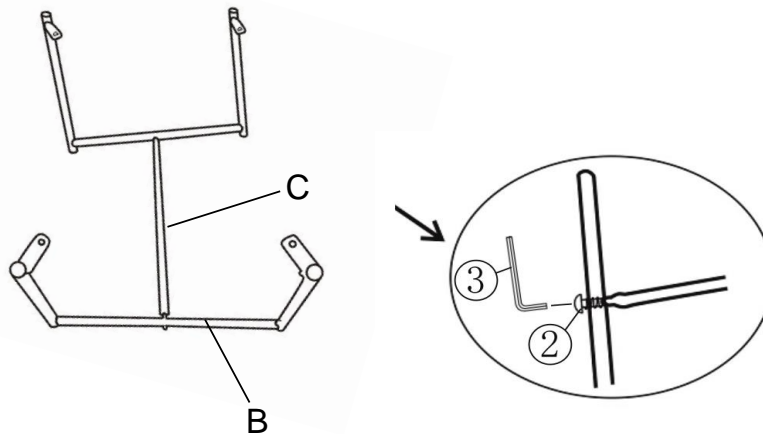
This Table has multiple parts and may require up to 20 minutes to assemble. To give you an overview of the Table parts, the above picture is provided to help you put the various parts into perspective. Please read through the instructions below to familiarise yourself with the parts and steps before assembly.

Step 1



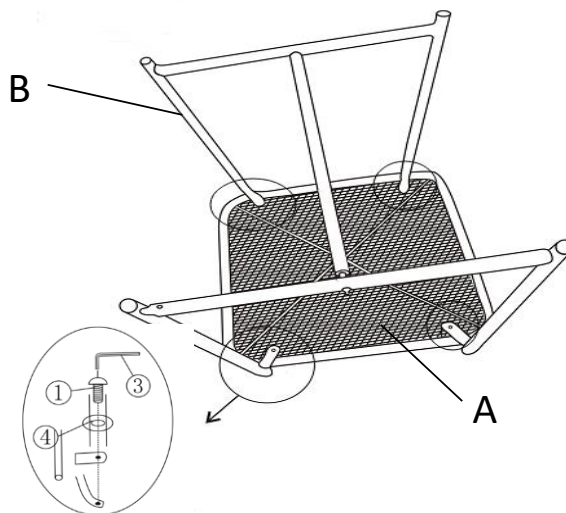
Attach the Support Rod (C) to Table Leg (B) with Bolts(②) using the Allen Wrench(③).

Step 2



Attach the Support Rod (C) to Table Leg (B) with Bolts(②) using the Allen Wrench(③).

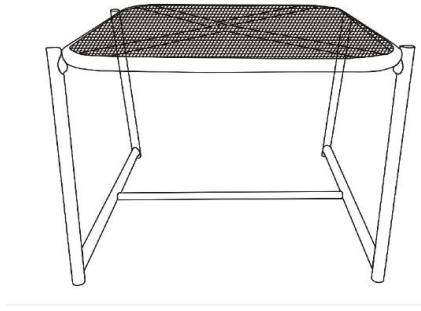
Step 3



Attach Table Leg (B) to Table Top (A) with Bolts(①) and Washers (④) using the Allen Wrench (③).

Do not fully tighten the Bolts.

Step 4



Place the side table on a **LEVEL SURFACE**.

Inspect it and make sure all parts are adequately connected, then proceed to tighten the screws in a sequential manner.



















CAUTION 1: When tightening these screws, tighten sequentially. **DO NOT** fully tighten any screw and then move on to the next one, as this could cause the frame to warp.

Ensure all screws are fully locked into position.

The table is ready to be used.

Caution 2: This table should only be used on a flat, level surface.

Care & Maintenance

-   ● Do not put hot items directly on furniture surface
 -   ● Do not clean furniture with harsh cleansers or polish.
 -   ● To obtain the longest lifespan of your outdoor products, minimizing exposure to direct sunlight is recommended.
 -   ● Children should not climb or jump on the furniture.
 -   ● Do not write on furniture without a padded barrier to protect the surface.
 -   ● To obtain the longest lifespan of your outdoor products, avoid extended and lengthy exposure to rain, snow, and direct sunshine. Whenever possible cover the product and /or place under patio or awnings.
 -   ● Not for commercial use. For residential use only .
 -   ● Stains may be removed with mild soap solution and damp cloth.
-
-   ● Dust and pick-up spills using a clean, non-colored, lint-free cloth .