

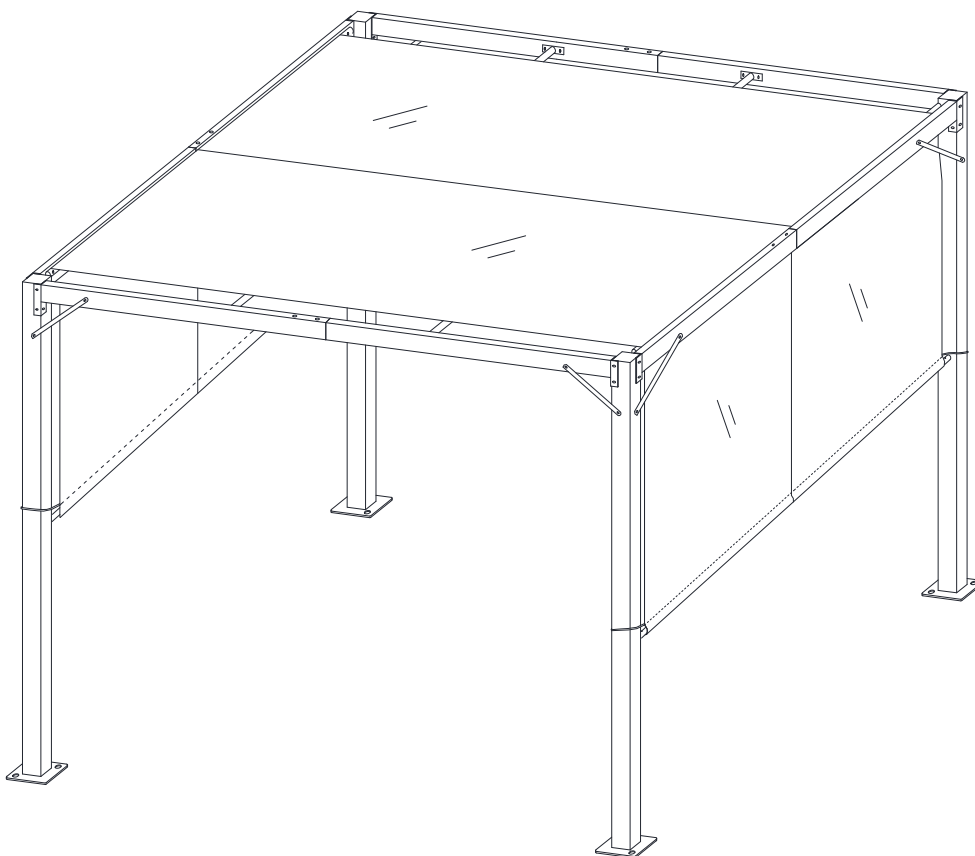
Assembly Instructions

Caution : You must read this before you proceed.



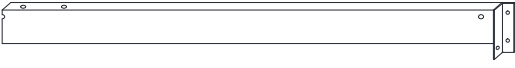

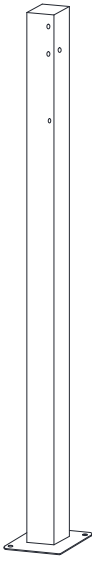
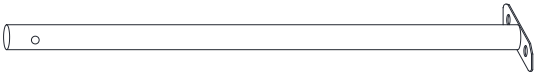



Read all instructions before assembling and using this product




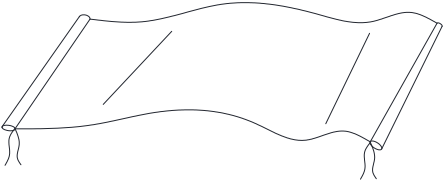
1. Select ideal location. Set out all parts on a clear and level surface prior to assembly. Ideally, the Gazebo should be set up in the desired location to avoid moving it after assembly.
2. Team Work. We recommend 4-5 adults and it may require 3 to 4 hours to fully assemble the Gazebo. If possible, please use safety ladders.
3. Use caution. During the entire assembly process, especially when lifting heavy or large parts or using ladders, pay attention to safety. No one other than those assistants should be allowed in the work area.
4. Check all available parts. Before assembling your Gazebo Frame, make sure that you have all the parts described in the Parts List.
5. Ensure that ALL BOLTS are fully and securely bolted in before you proceed to attach the Canopies.
6. Keep children away. Children shouldn't be allowed in the work area. Do not let them handle parts and tools. Do not allow children to climb the Gazebo.
7. It is recommended that the canopy be removed during strong windy conditions.

Gazebo

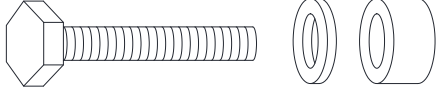
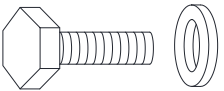




Parts List

| Label | Picture | Description | QTY |
|-------|---|------------------------|-----|
| A |  | Crossbar | 2 |
| B |  | Crossbar | 2 |
| C |  | Crossbar | 2 |
| D |  | Crossbar | 2 |
| E |  | Main Pillar | 4 |
| F |  | Supporting Fabric Tube | 2 |
| G |  | Supporting Fabric Tube | 2 |
| H |  | Supporting Fabric Tube | 2 |
| I |  | Supporting Fabric Tube | 2 |

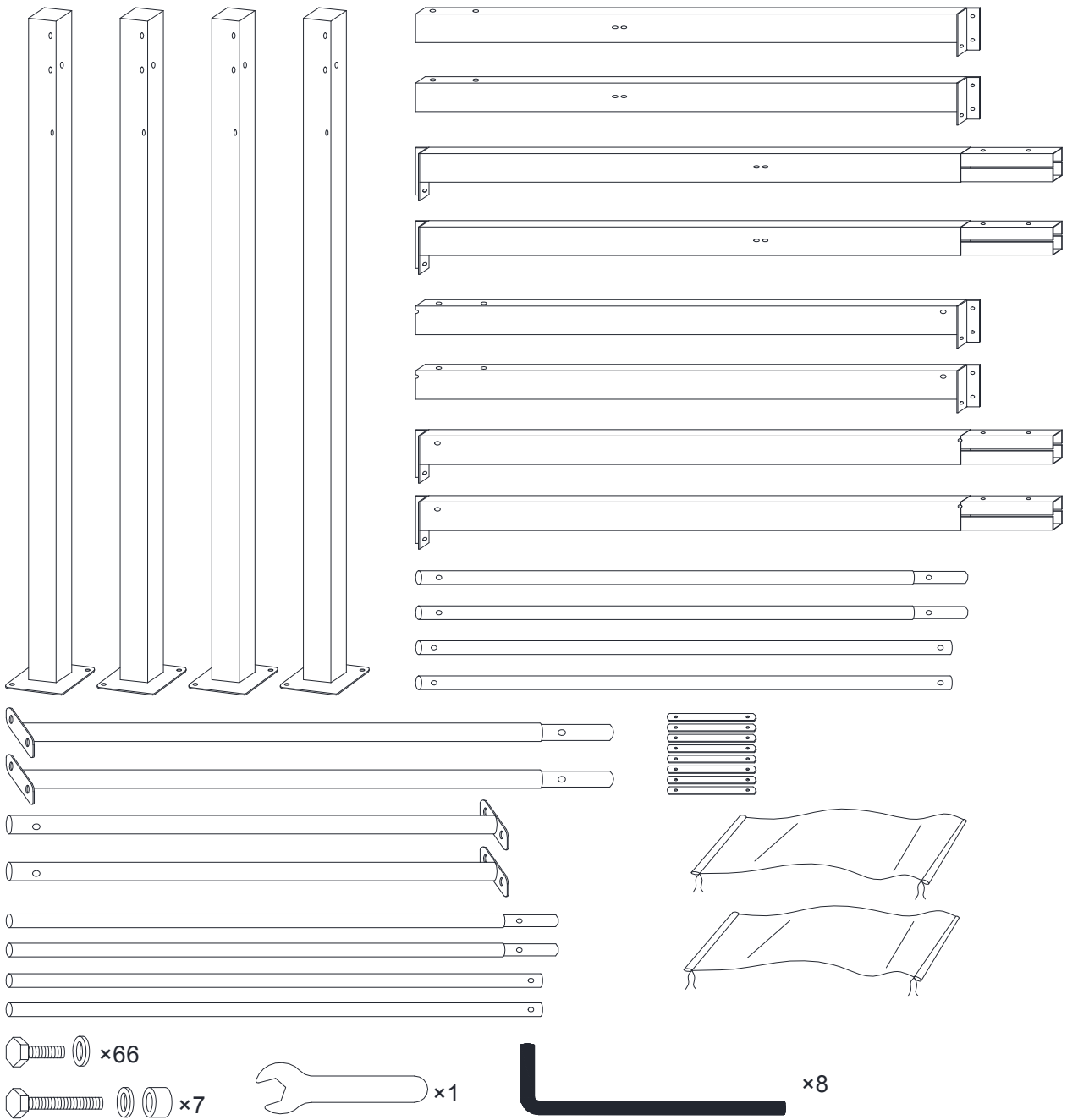
| | | | |
|---|---|-----------|---|
| J |  | Pull Tube | 2 |
| K |  | Pull Tube | 2 |
| L |  | Brace | 8 |
| M |  | Canopy | 2 |

Hardware

| Label | Picture | Description | QTY |
|-------|---|-------------------------------|-----|
| ① |  | Bolt/Washer/Spacer (M6*45) | 7 |
| ② |  | Bolt/Washer (M6*15) | 66 |
| ③ |  | Wrench | 1 |
| ④ |  | Stake | 8 |

Assembly Preparation

Before Beginning Assembly:



- Read instructions, cover to cover-



- Have 4-5 adults on hand for assembly-



- Do not assemble on flooring or carpet-

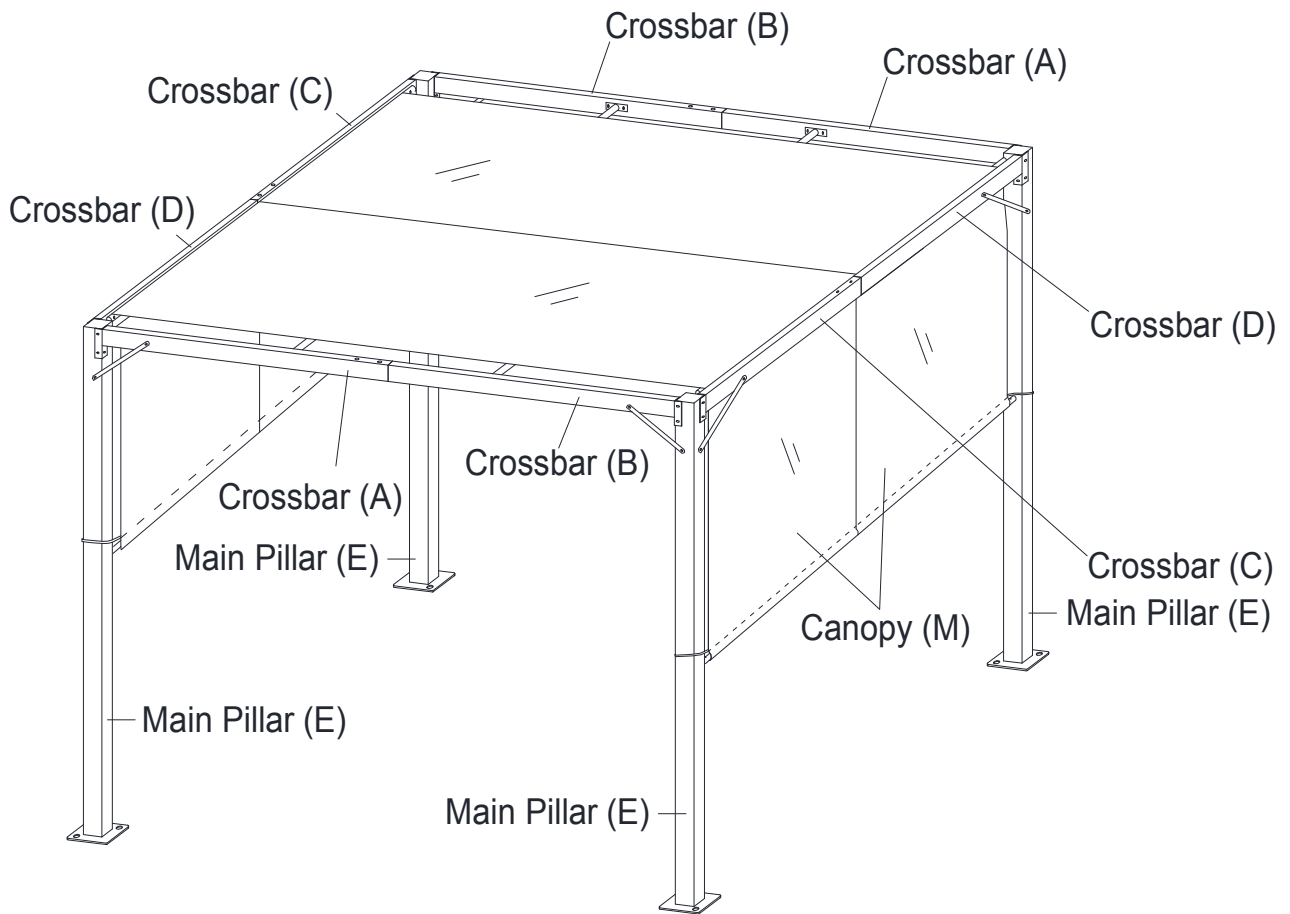


- Assemble on a clean non-marring surface (packing foam)-



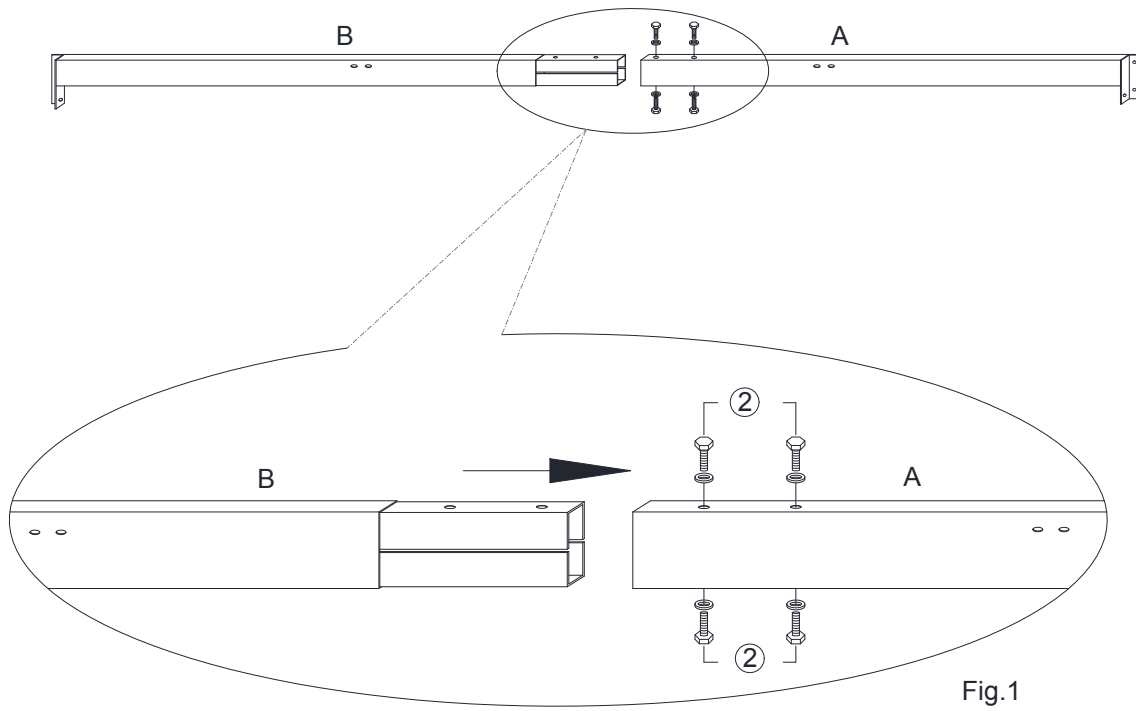
- Save all packaging until finished-

Assembly Steps



This Gazebo has multiple parts and may require up to 3-4 hours to assemble. To give you an overview of the Gazebo parts, the above picture is to help you put the various parts into perspective. Please read through the instructions below to familiarise yourself with the parts and steps before assembly.

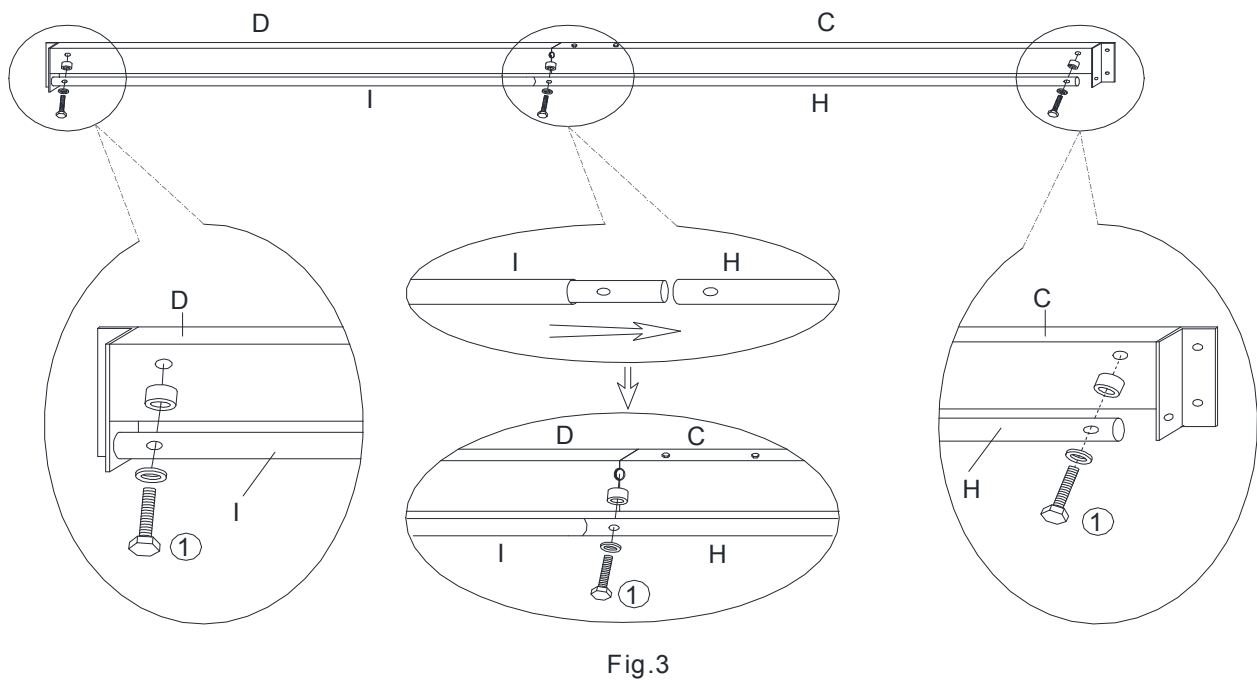
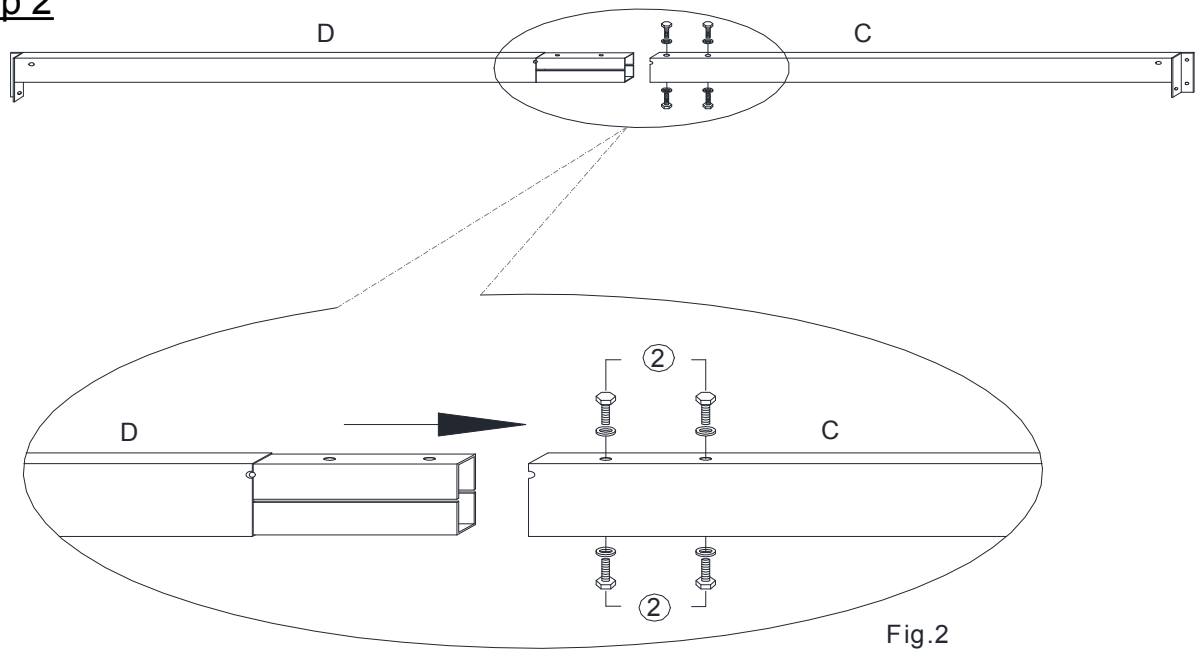
Step 1



Attach Crossbars(A) to Crossbars(B) using Bolts(②) with Wrench(③). (See Fig. 1)

Note: Make sure the direction of the Crossbars are the same as per the above drawing. Tighten all Bolts in a sequential manner.

Step 2



Attach Crossbars(C) to Crossbars(D) using Bolts(②) with Wrench(③). (See Fig. 2)

Note: Make sure the direction of the Crossbars are the same as per the above drawing.

Attach Supporting Fabric Tubes(I) and Supporting Fabric Tubes(H) together to the Crossbar (D) using Bolts(①) with Wrench(③)

Attach Supporting Fabric Tubes(I) to Crossbars(D) using Bolts(①) with Wrench(③).

Attach Supporting Fabric Tubes(H) to Crossbars(C) using Bolts(①) with Wrench(③). (See Fig. 3)

Tighten all Bolts in a sequential manner.

Step 3

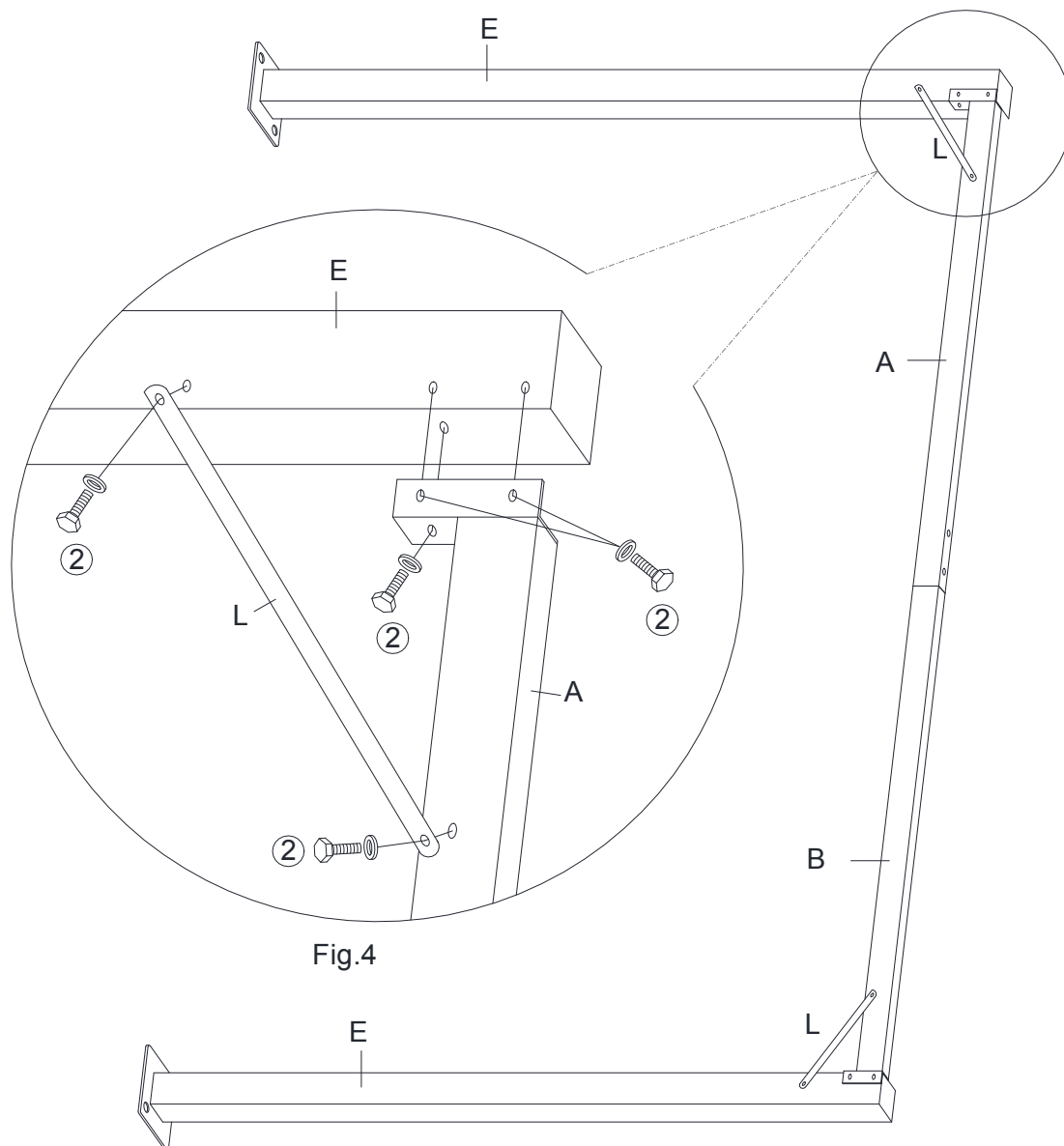
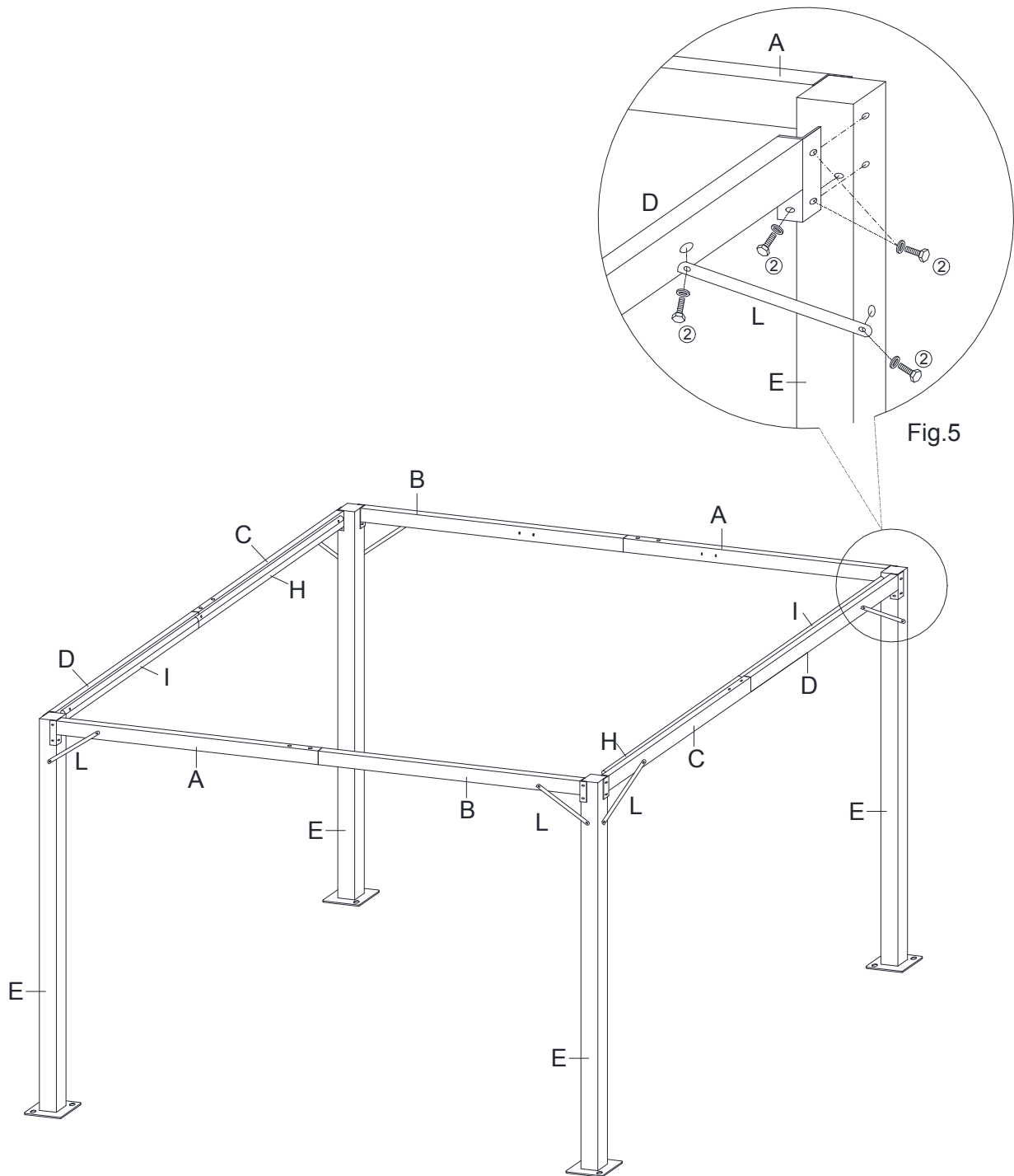


Fig.4

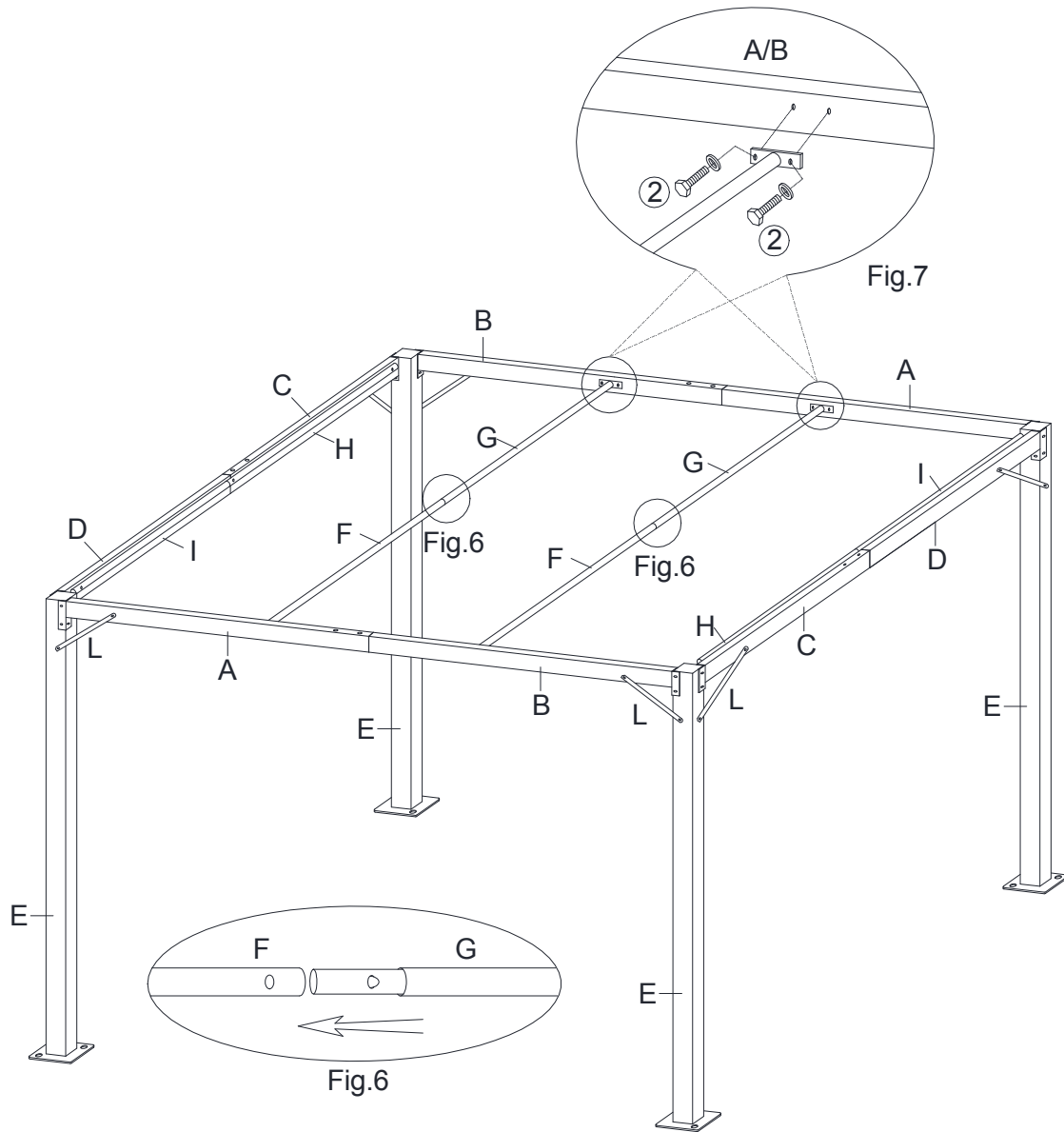
- Attach Crossbars(A) to Main Pillars(E) using Bolts(2) with Wrench(3).
 - Attach Braces(L) to Main Pillars(E) and Crossbars(A) using Bolts(2) with Wrench(3). (See Fig. 4)
 - Attach Crossbars(B) to Main Pillars(E) using Bolts(2) with Wrench(3).
 - Attach Braces(L) to Main Pillars(E) and Crossbars(B) using Bolts(2) with Wrench(3).
- Do not fully tighten the Bolts.**

Step 4



Attach Crossbars(C) to Main Pillars(E) using Bolts(2) with Wrench(3).
Attach Braces(L) to Main Pillars(E) and Crossbars(C) using Bolts(2) with Wrench(3).
Attach Crossbars(D) to Main Pillars(E) using Bolts(2) with Wrench(3).
Attach Braces(L) to Main Pillars(E) and Crossbars(D) using Bolts(2) with Wrench(3). (See Fig. 5)
Do not fully tighten the Bolts.

Step 5

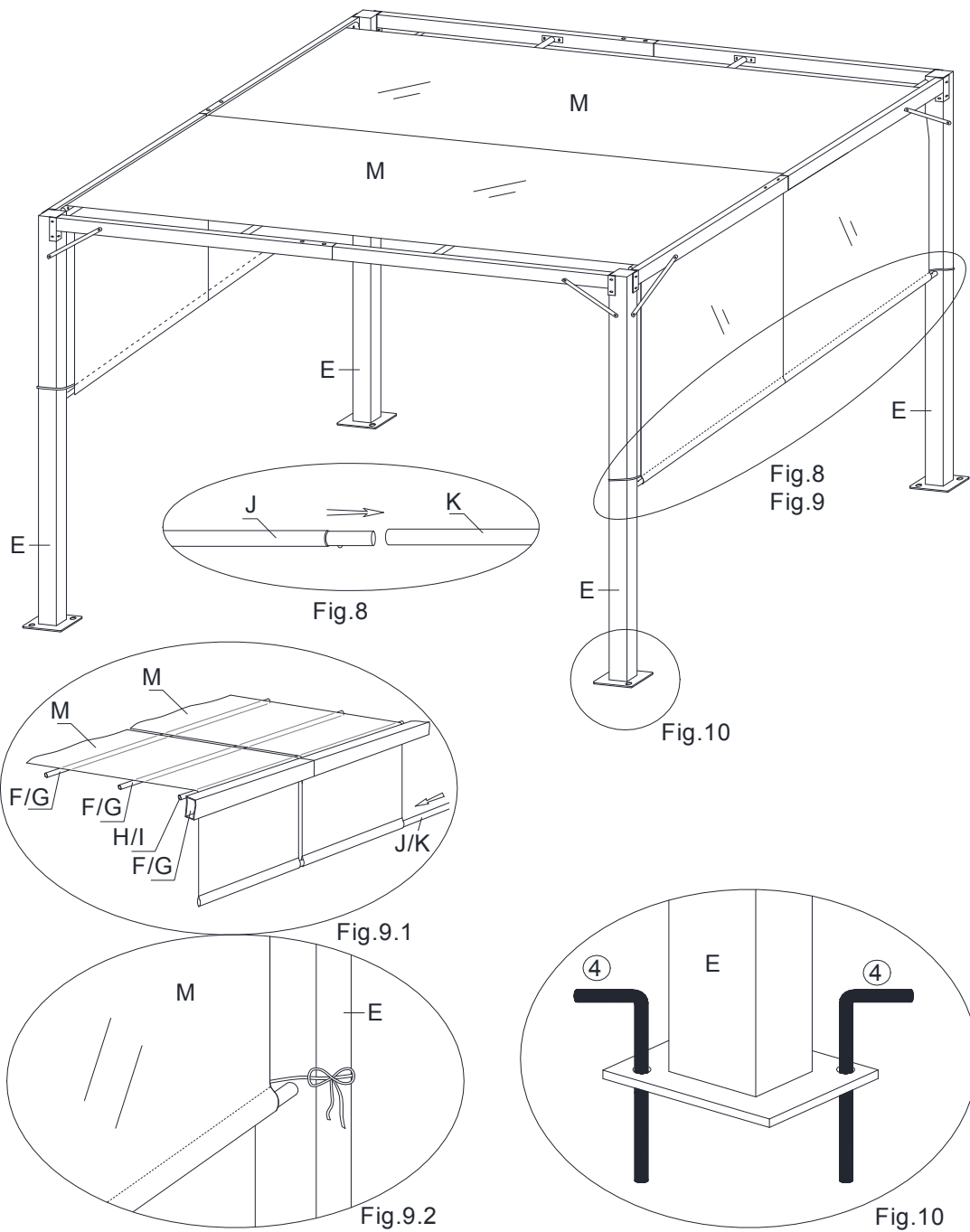


Attach Supporting Fabric Tubes(F) to Supporting Fabric Tubes(G) using the preattached snap buttons. (See Fig.6)

Attach Supporting Fabric Tubes(F/G) the Crossbars(A/B) using Bolts(2) with Wrench(3). (See Fig.7).

Now, fully and securely, tighten all bolts, at all joints.

Step 6



Attach the Pull Tube (J) to the Pull Tube (K) using the preattached snap buttons. (See Fig.8)

Insert the Canopy(M) through Supporting Fabric Tubes(H/I), then onto Supporting Fabric Tubes(F/G). Insert the Pull Tubes(J/K) into the sleeves of the Canopy(M).

Fastening all lashings to the Main Pillars. (See Fig. 9) **Note: Insert the Pull Tubes (J/K) from the end of sleeve of the Canopy (M) which is with velcro strap into sleeve of the Canopy (M).**





















Adjust the position of the Gazebo as desired.

Affix the Gazebo to the ground by inserting Stakes(④) through Main Pillars(E) bases. (See Fig.10)

Your Gazebo is ready for use.

This Gazebo can only be used on a flat, level surface.

Care & Maintenance

-   ● Do not put hot items directly on furniture surface
 -   ● Do not clean furniture with harsh cleansers or polish.
 -   ● To obtain the longest lifespan of your outdoor products, minimizing exposure to direct sunlight is recommended.
 -   ● Children should not climb or jump on the furniture.
 -   ● Do not write on furniture without a padded barrier to protect the surface.
 -   ● To obtain the longest lifespan of your outdoor products, avoid extended and lengthy exposure to rain, snow, and direct sunshine. Whenever possible cover the product and /or place under patio or awnings.
 -   ● Not for commercial use. For residential use only .
 -   ● Stains may be removed with mild soap solution and damp cloth.
 -   ● Keep away from sources of ignition.
-
-   ● Dust and pick-up spills using a clean, non-colored, lint-free cloth .