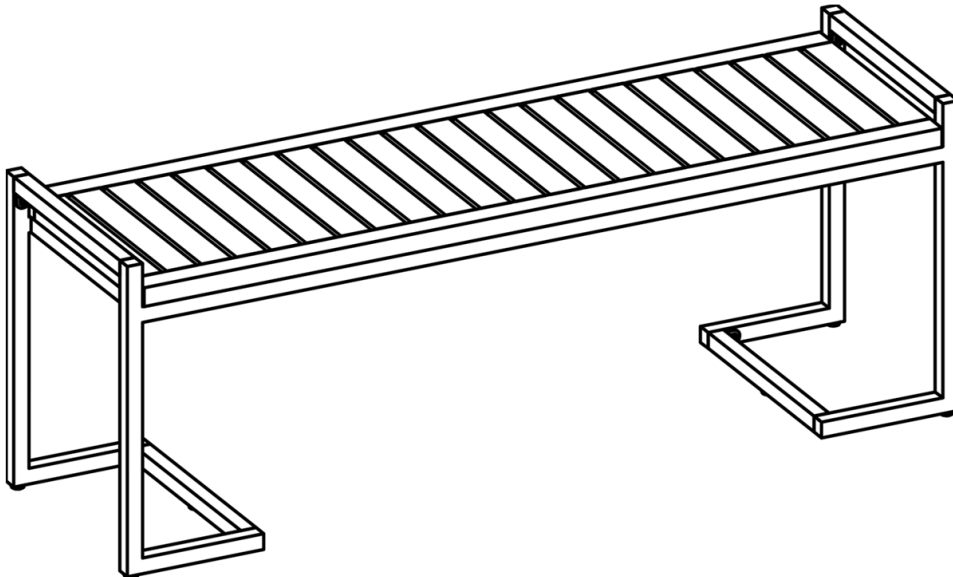


# Assembly Instructions

**Caution: You must read this before you proceed**

**Please look in the leg frame for hardware packs.**

## Bench

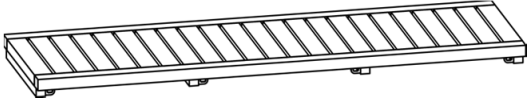
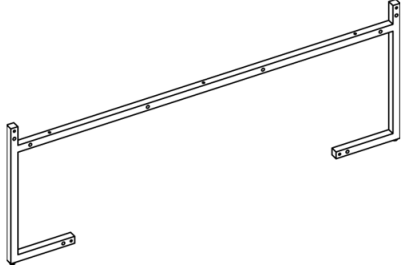
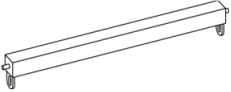
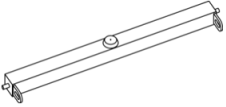


**Caution:** This Bench is NOT a TOY

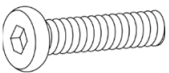

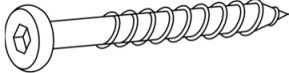

Keep your child/children at bay during the assembly process.

Whenever moving/lifting the Bench and to prevent damage to the Bench, two adults are needed to execute these actions.

## Parts List

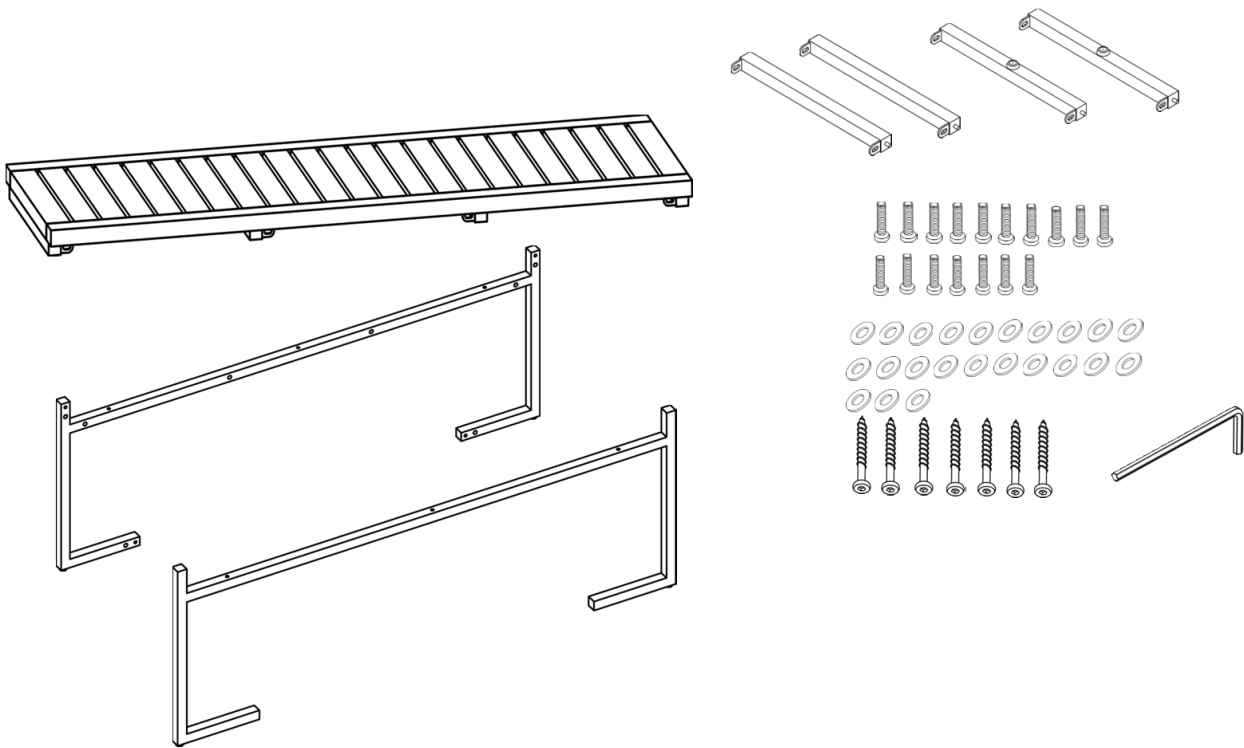
Label	Picture	Description	QTY
A		Bench Seat Panel	1
B		Iron Leg Frame	2
C		Upper Leg Support Bar	2
D		Lower Leg Support Bar	2

## Hardware

Label	Picture	Description	QTY
①		Bolt (M6x20mm)	17
②		Washer	23
③		Screw (M6x45mm)	7
④		Allen Key	1

# Assembly Preparation

Before Beginning Assembly:



- Read instructions, cover to cover-



- Have 2 adults on hand for assembly-



- Do not assemble on flooring or carpet-



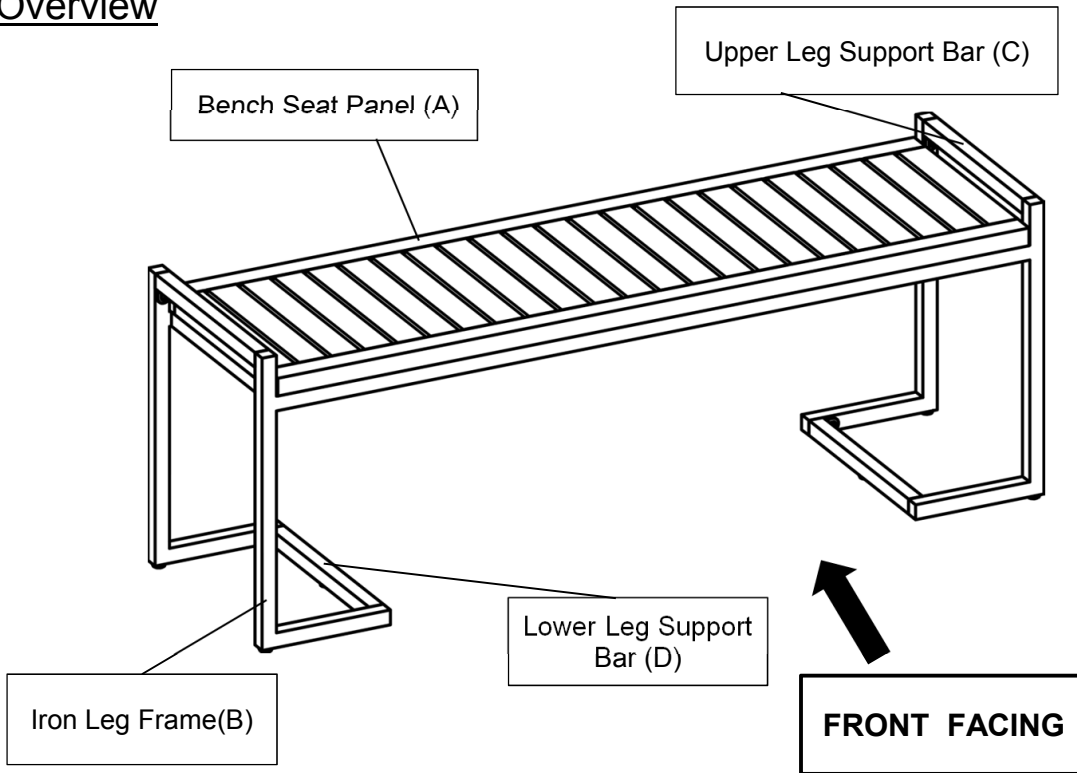
- Assemble on a clean non-marring surface (packing foam)-



- Save all packaging until finished-

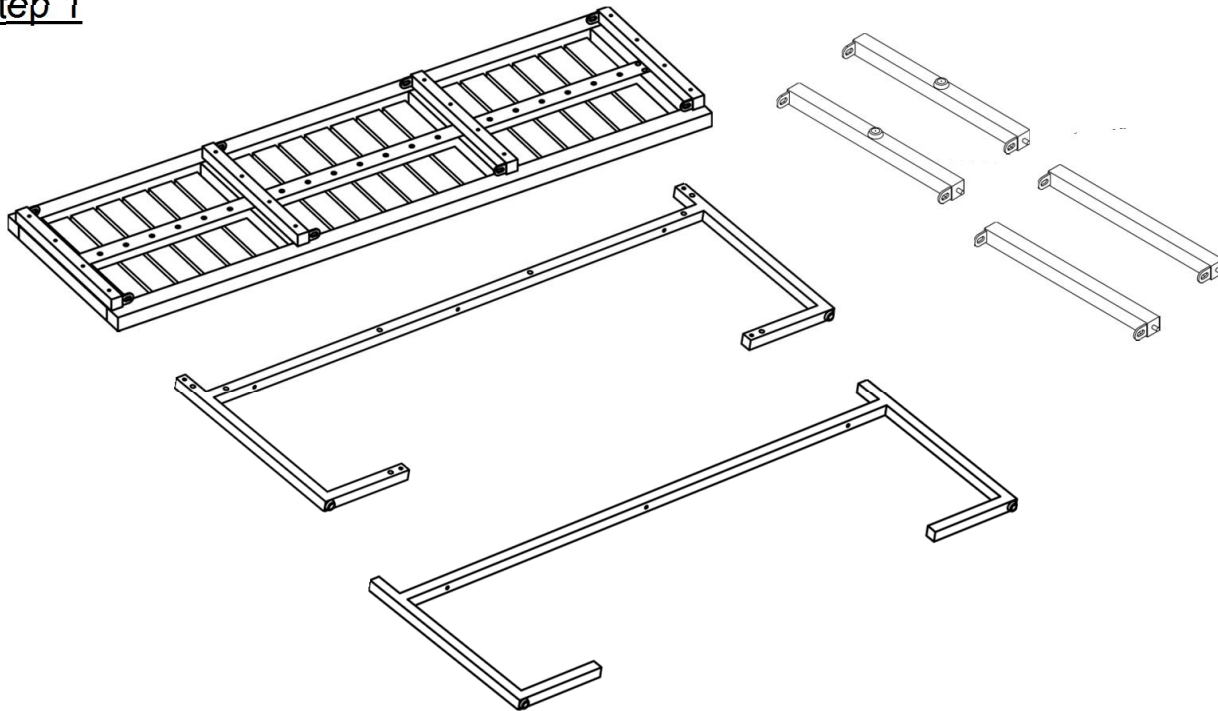
# Assembly Steps

## Overview



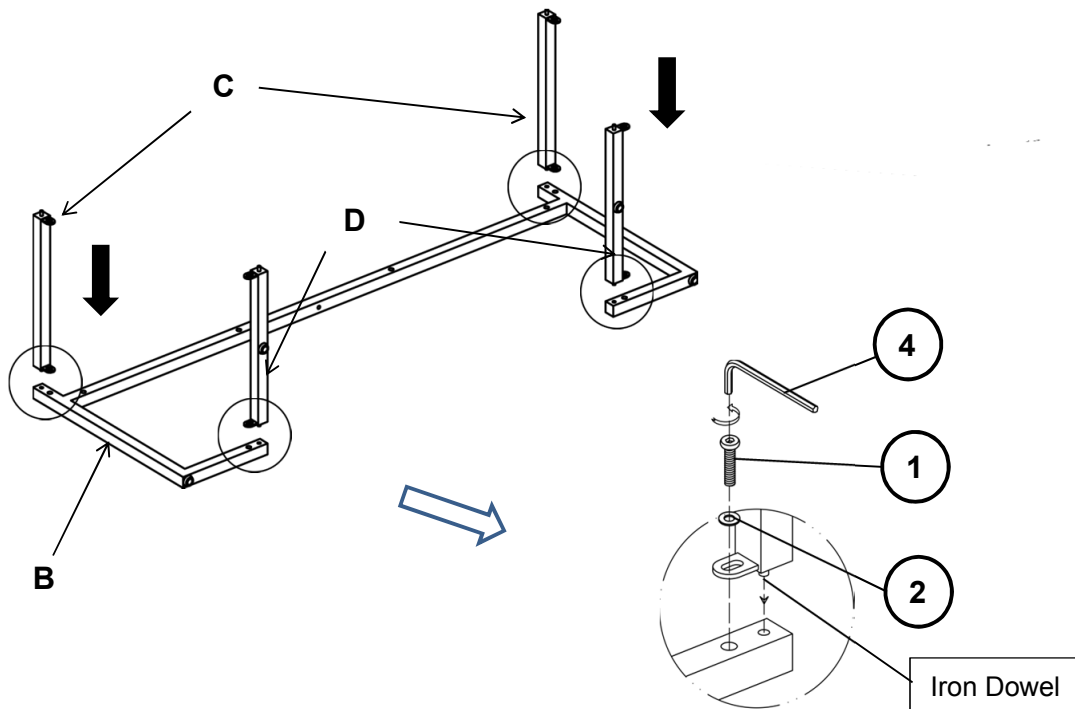
This Bench has multiple parts and may require up to 30 minutes to assemble. To give you an overview of the Bench parts, the above picture is to help you put the various parts into perspective. Please read through the instructions below to familiarise yourself with the parts and steps before assembly.

## Step 1



Unpack and place all parts on a clean, non-marring surface.

## Step 2



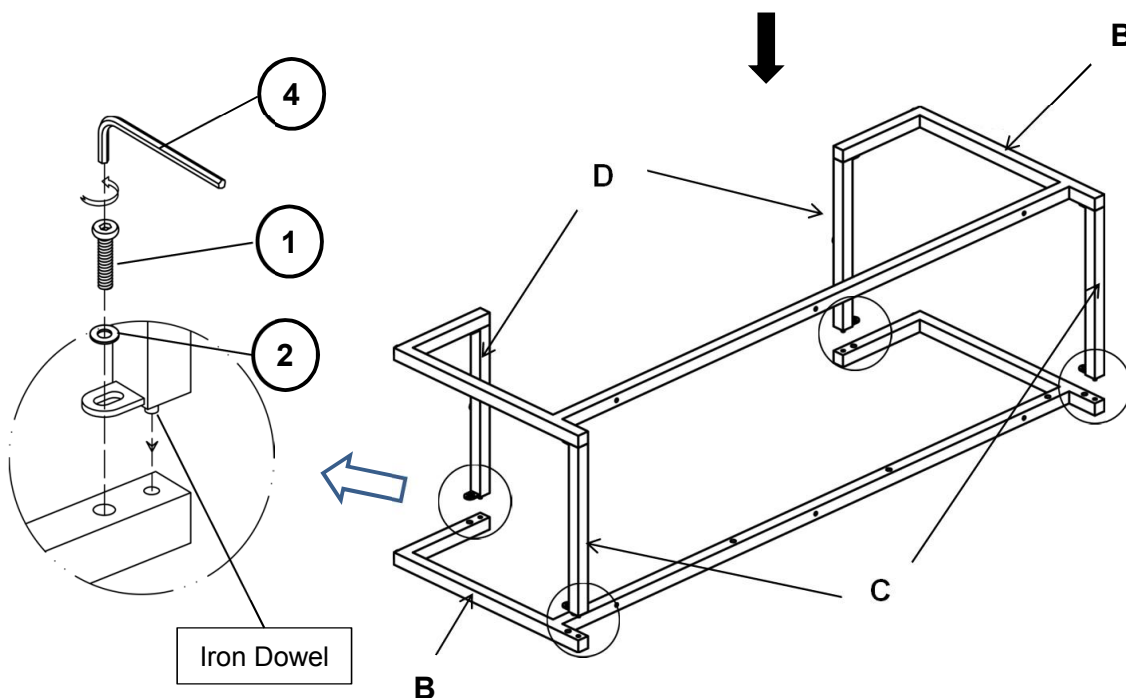
Position the Iron Leg Frame(B) facedown on a clean, non-marring surface.

Insert the Upper Leg Support Bars(C) and Lower Leg Support Bars(D) with pre-fixed iron dowels into the housings on Iron Leg Frame(B) as shown above.

Attach Upper Leg Support Bars(C) and Lower Leg Support Bars(D) to Iron Leg Frame(B) using Bolts(①), and Washers(②) with Allen Key(④).

**Do not fully tighten the Bolts.**

## Step 3



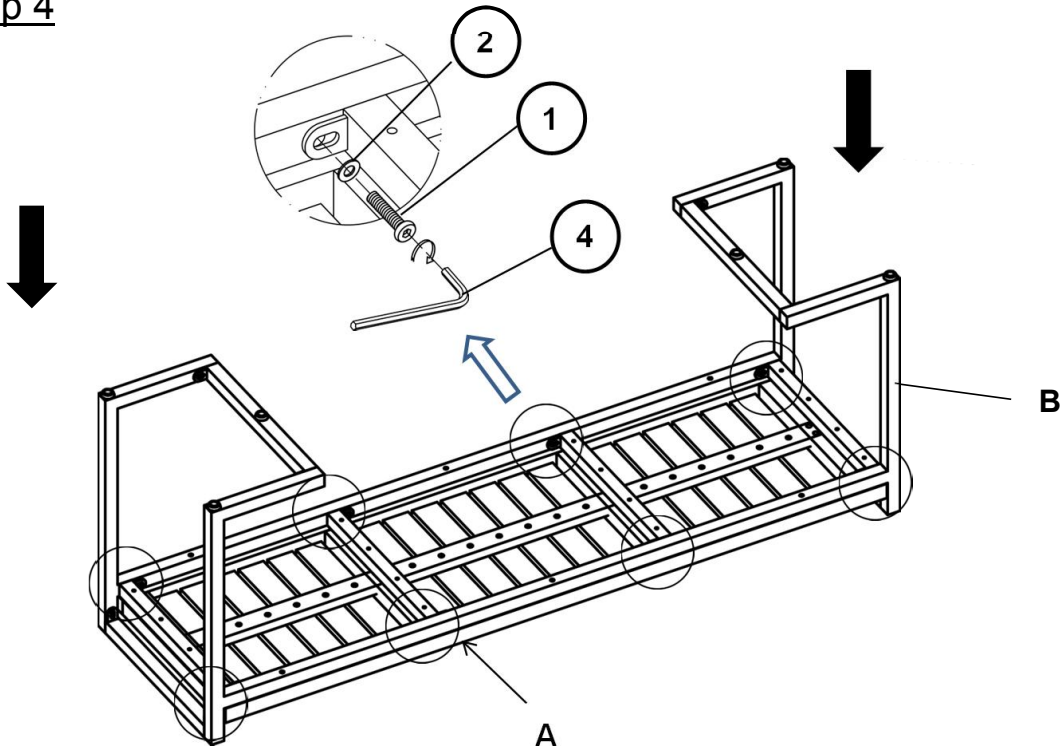
Place the second Iron Leg Frame(B) facedown on a clean, non-marring surface.

Insert the Upper Leg Support Bars(C) and Lower Leg Support Bars(D) with pre-fixed iron dowel into the housings on Iron Leg Frame(B) as pictured.

Attach Upper Leg Support Bars(C) and Lower Leg Support Bars(D) to Iron Leg Frame(B) using Bolts(①), and Washers(②) with Allen Key(④).

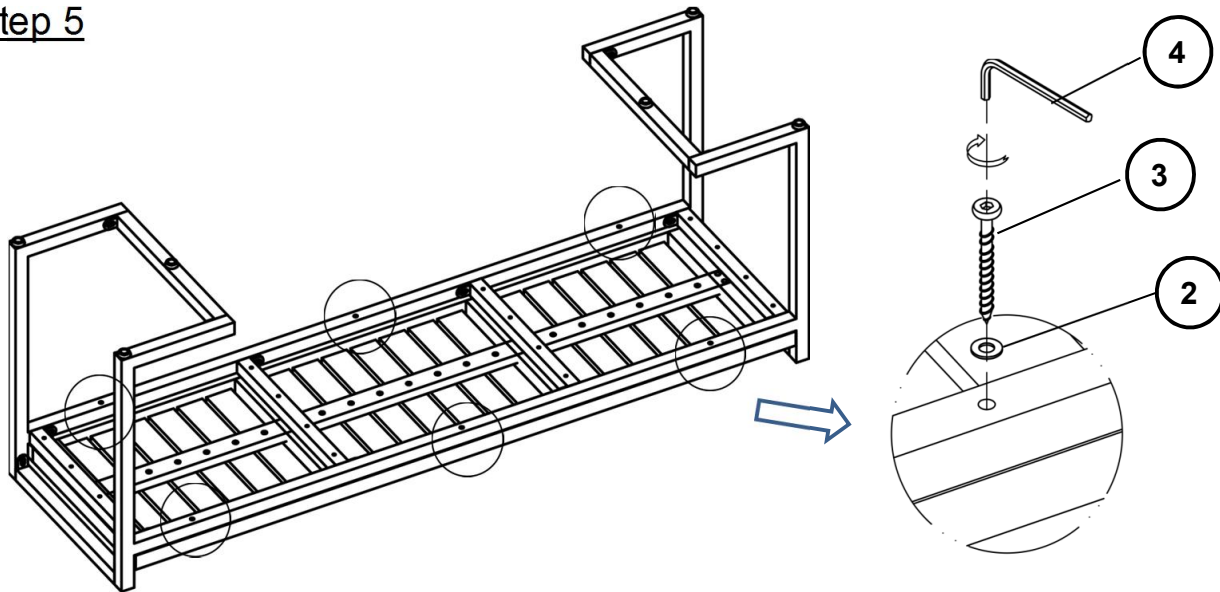
**Do not fully tighten the Bolts.**

## Step 4



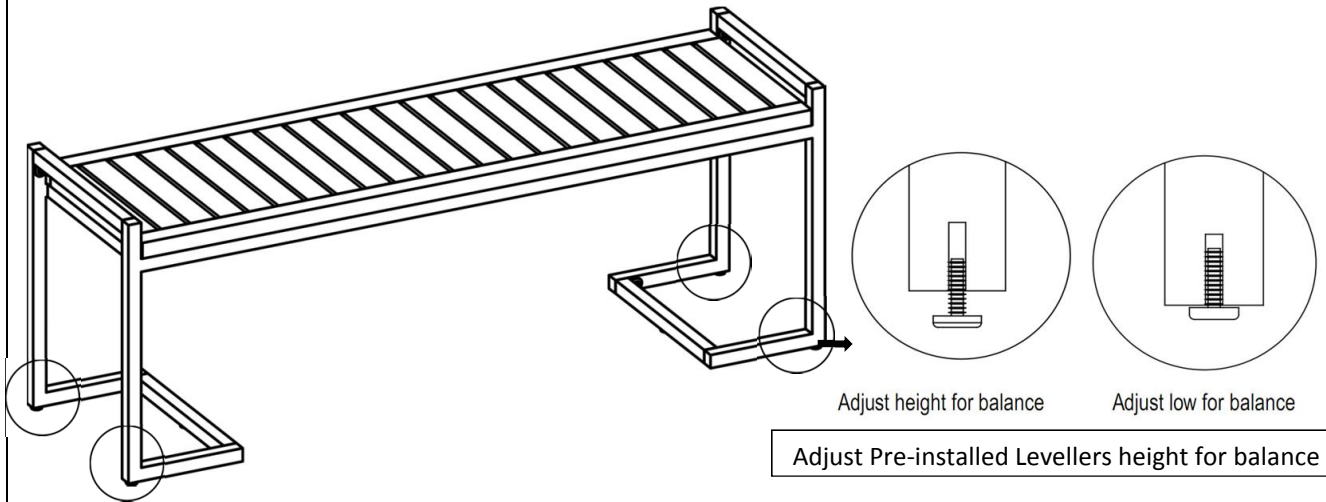
Position the Bench Seat Panel(A) facedown on a clean, non-marring surface.  
Align the Iron Leg Frames(B) to Bench Seat Panel(A) as pictured.  
Attach Bench Seat Panel(A) to Iron Leg Frames(B) using Bolts(①), and Washers(②) with Allen Key(④).  
**Do not fully tighten the Bolts.**

## Step 5



Attach the Iron Leg Frames(B) to the Bench Seat Panel(A) using Screws(③) and Washers(②) with Allen Key(④).  
**Do not fully tighten the Screws.**

## Step 6



Stand the Bench up.

Place the Bench on a LEVEL surface.

Inspect it and make sure all parts are adequately connected.

Gently and gracefully, sit onto the Bench.

This pressure will help the Legs and Bench reach full alignment status.

Check for wobbles on a LEVEL surface.

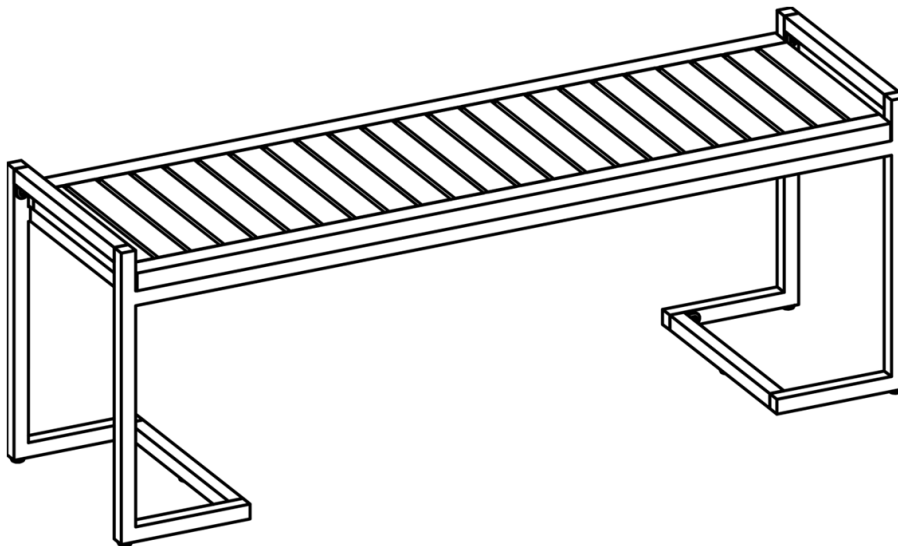
If no wobbles are found proceed to tighten the Bolts and Screws in a sequential manner, until evenly secured.

**When tightening the Bolts and Screws tighten sequentially.**

**Do not tighten any Bolt or Screw fully and then move on towards the next one.**

With assistance from your adult partners, adjust the Levellers to desired height to avoid wobbles.










## Step 7



Your Bench is ready for use.

**This Bench can only be used on a flat, level surface.**

## Care & Maintenance

- ⊘  ● Prolonged exposure to rain may cause rusting which can stain floors.
  - ⊘  ● Do not put hot items directly on furniture surface.
  - ⊘  ● Do not clean furniture with harsh cleansers or polish.
  - ✓  ● To obtain the longest lifespan of your outdoor products, minimizing exposure to direct sunlight is recommended.
  - ⊘  ● Children should not climb or jump on the furniture.
  - ⊘  ● Do not write on furniture without a padded barrier to protect the surface.
  - ✓  ● To obtain the longest lifespan of your outdoor products, avoid extended and lengthy exposure to rain, snow, and direct sunshine. Whenever possible cover the product and /or place under patio or awnings.
  - ⊘  ● Not for commercial use. For residential use only.
  - ⊘  ● Stains may be removed with mild soap solution and damp cloth.
- ✓  ● Dust and pick-up spills using a clean, non-colored, lint-free cloth.