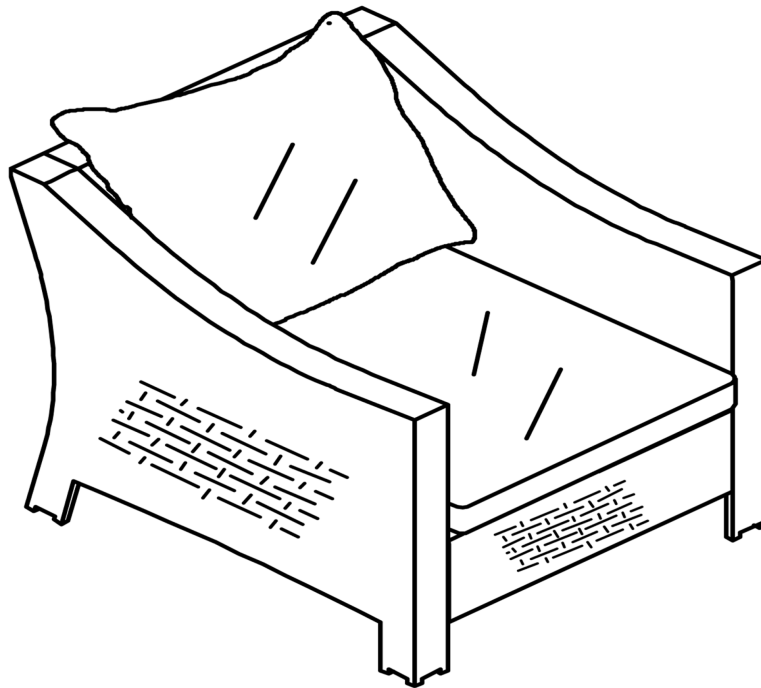


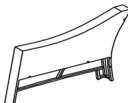
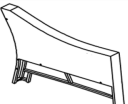




Assembly Instructions

Caution: You must read this before you proceed

Single Chair




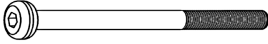




Parts List

Label	Picture	Description	QTY
A		Right Armrest	1
B		Left Armrest	1
C		Chair Seat	1
D		Chair Back	1
E		Back Cushion	1
F		Seat Cushion	1

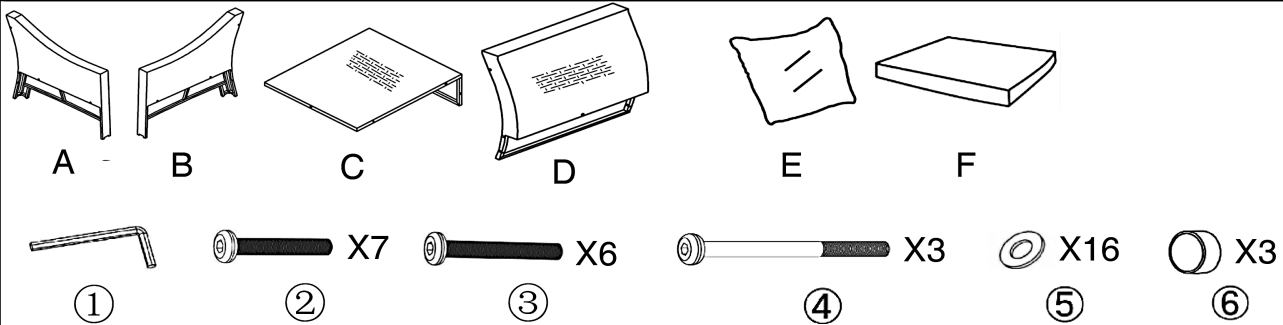
Hardware


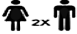

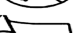

Label	Picture	Description	QTY
-------	---------	-------------	-----

①		Allen Wrench	1
②		Bolt (M6*30mm)	7
③		Bolt (M6*40mm)	6
④		Bolt (M6*90mm)	3
⑤		Washer	16
⑥		PE Cap	3

Assembly Preparation

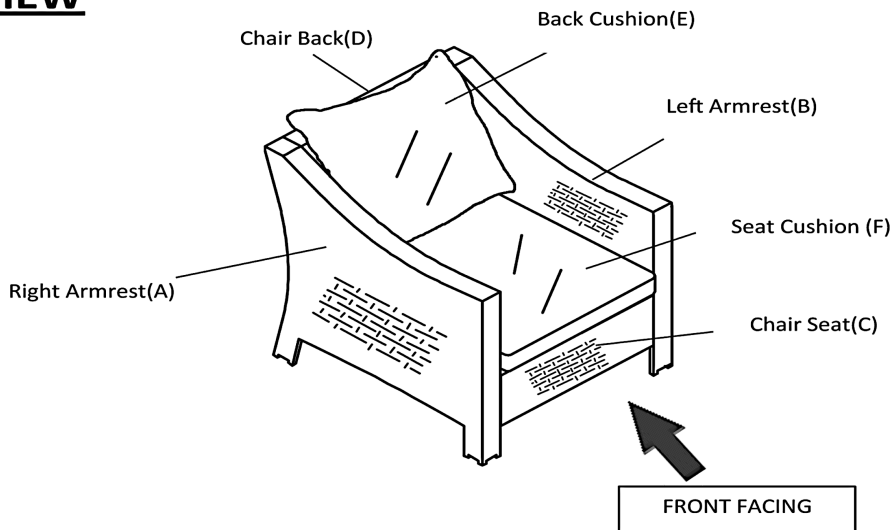
Before Beginning Assembly:



-  • Read instructions, cover to cover-
-  • Have 2 adults on hand for assembly-
-  • Do not assemble on flooring or carpet-
-  • Assemble on a clean non-marring surface (packing foam)-
-  • Save all packaging until finished-

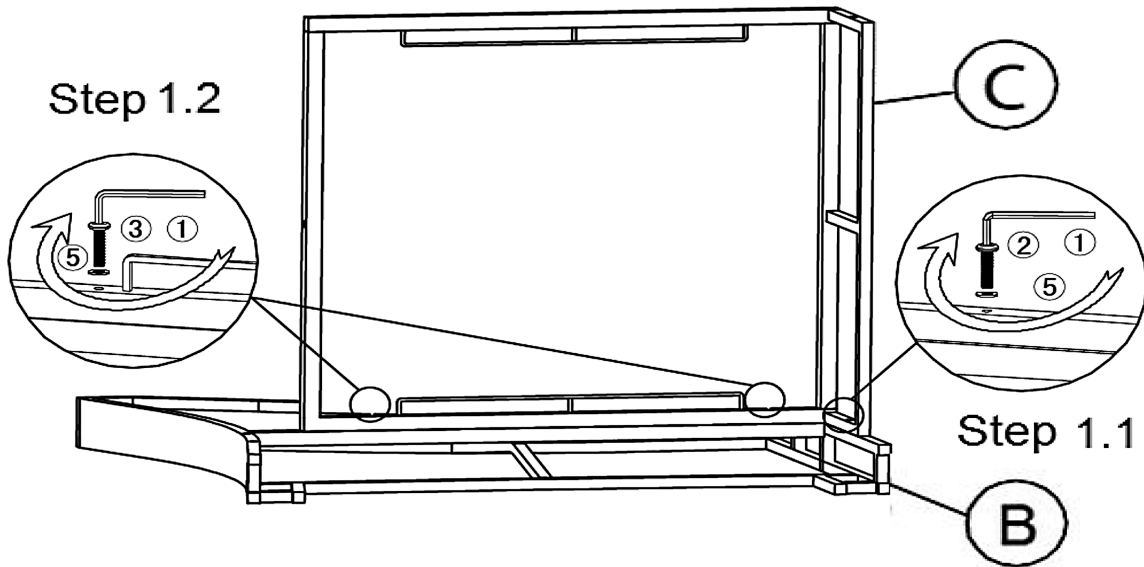
Assembly Steps

OVERVIEW



This Single Chair has multiple parts and may require up to 30 minutes to assemble. To give you an overview of the Single Chair parts, the above picture is to help you put the various parts into perspective. Please read through the instructions below to familiarise yourself with the parts and steps before assembly.

Step 1



Open the carton and place all the parts onto a clean, non-marring surface.

Place the Left Armrest(B) facing up.

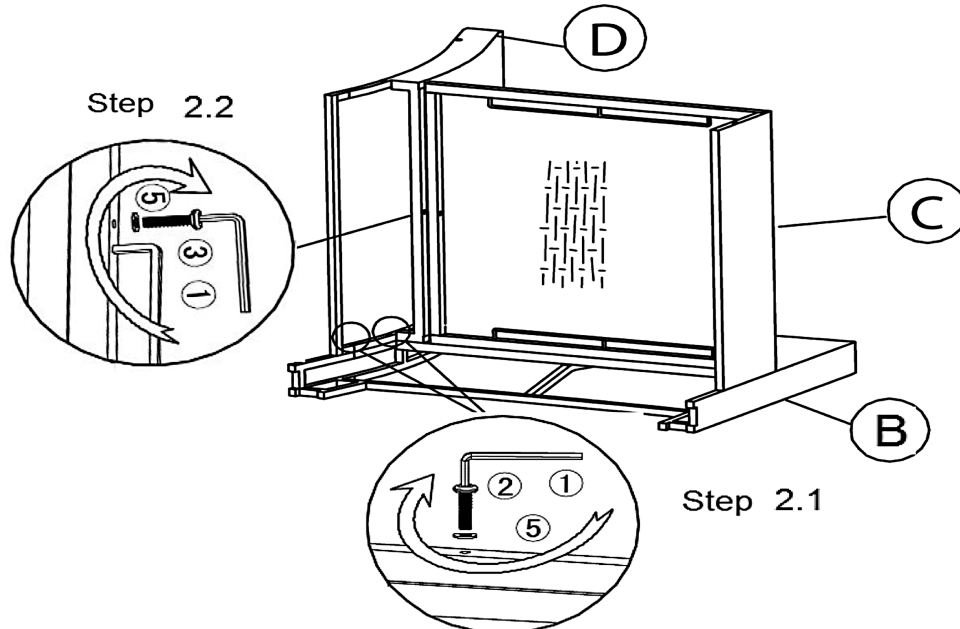
Step 1.1 Attach Chair Seat(C) to Left Armrest(B) using Bolt(2) and Washer(5) with Allen Wrench (1).

Step 1.2 Attach Chair Seat(C) to Left Armrest(B) using Bolt(3) and Washer(5) with Allen Wrench (1).

Only loosely tighten the Bolts.

ATTENTION: There may be some PE wicker that may have covered the Bolt points. To ease assembly, guide and slide the PE wicker away from the mounting positions. DO NOT CUT AWAY any PE WICKER as this would cause the wicker to unravel!

Step 2

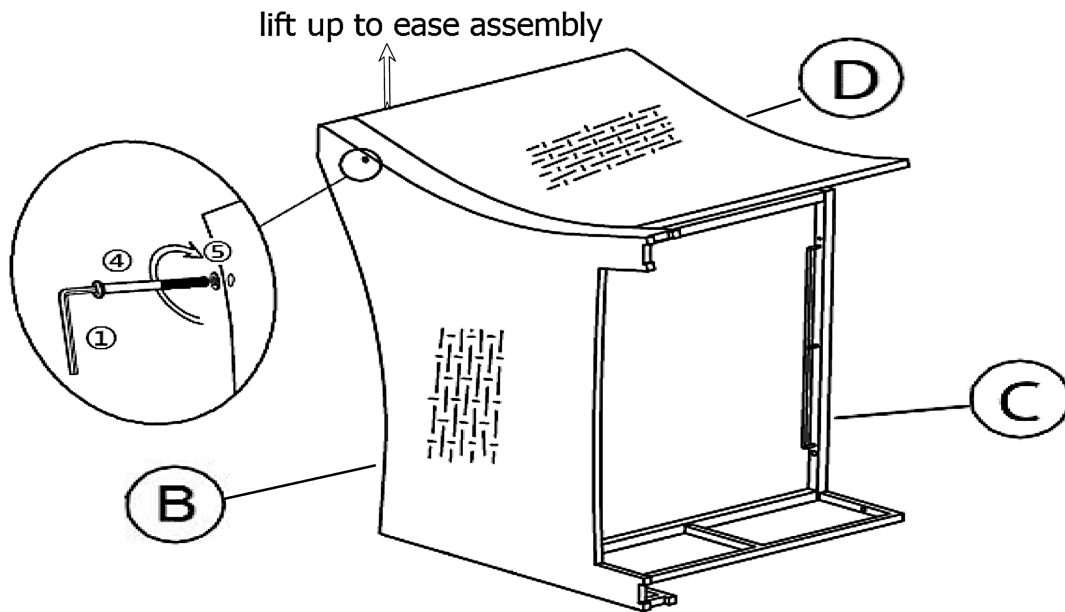


Step 2.1 Attach Chair Back(D) to the Left Armrest(B) and Chair Seat(C) using Bolt(2) and Washer(5) with Allen Wrench (1).

Step 2.2 Attach Chair Back(D) to the Left Armrest(B) and Chair Seat(C) using Bolt(3) and Washer(5) with Allen Wrench (1).

Only loosely tighten the Bolts.

Step 3



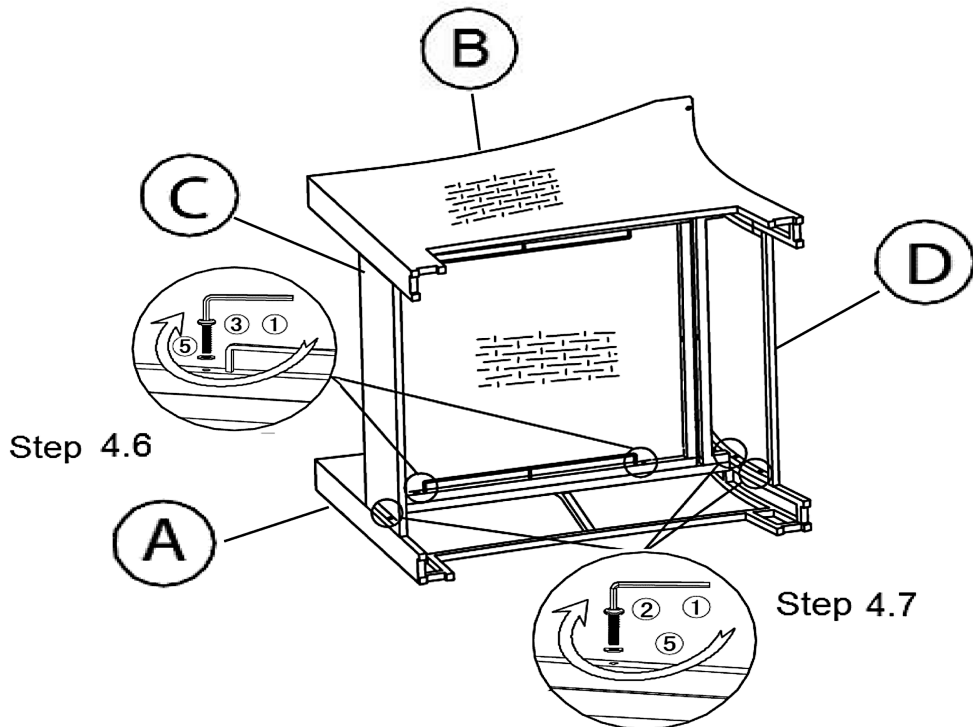
Place the Single Chair as shown in the picture above.

Align the mounting positions of the Left Armrest(B) onto the Chair Back(D).

Attach Left Armrest(B) and using Bolt(4) and Washer(5) with Allen Wrench (1), whilst applying upward pressure to Chair Back(D) per arrow shown to align assembly holes

Only loosely tighten the Bolts.

Step 4

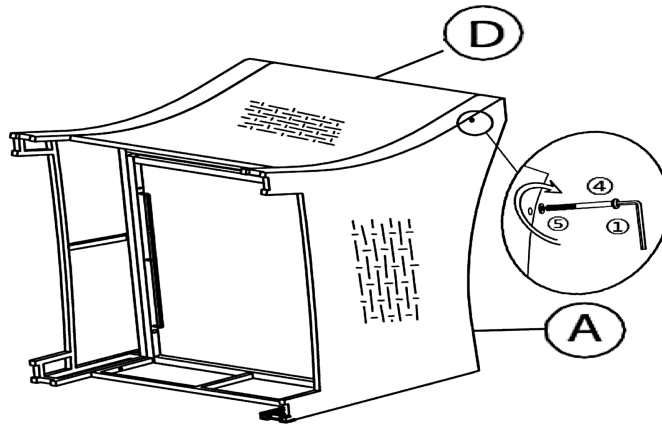


Step 4.6) Attach Right Armrest(A) to the Chair Seat(C) and Chair Back(D) using Bolt(3) and Washer(5) with Allen Wrench (1).

Step 4.7) Attach Right Armrest(A) to the Chair Seat(C) and Chair Back(D) using Bolt(2) and Washer(5) with Allen Wrench (1).

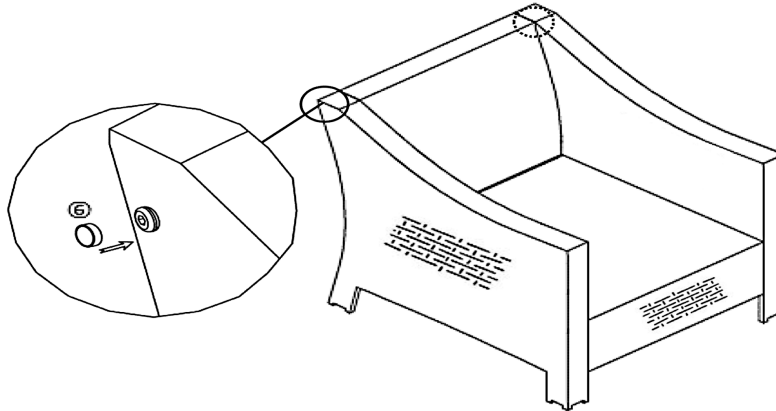
Only loosely tighten the Bolts.

Step 5



Place the Single Chair as shown in the picture above.
Align the mounting positions of the Right Armrest(A) onto the Chair Back(D).
Attach Right Armrest(A) and Chair Back(D) using Bolt(4) and Washer(5) with Allen Wrench (1).
Only loosely tighten the Bolts.

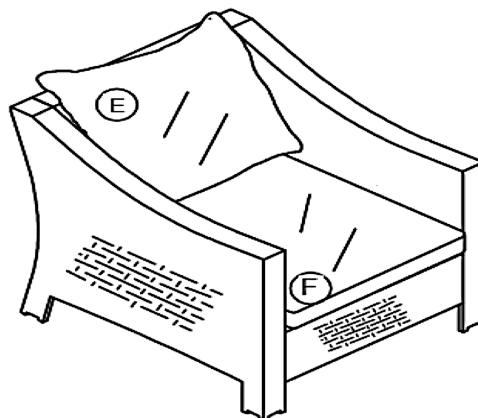
Step 6



Turn the Single Chair right side up.
Place the Single Chair on a LEVEL SURFACE.
Inspect it and make sure all parts are adequately connected.
Gently sit on the Single Chair.
This will help to align all parts at all joints.
Then carefully get off the Single Chair, and in a sequential manner, proceed to tighten all Bolts.
When tightening the Bolts, tighten sequentially.
DO NOT tighten any Bolt fully and then move on to the next one.
This may cause the frame to warp.
If there is still wobbles, loosen the bolts and execute this same process.
If the Single Chair is not stable it could lead to damage to the product.












Place PE Caps(6) on Bolts as shown.

Step 7



Put the Seat Cushion(F) and Back Cushion(E) on the Single Chair.
Your Single Chair is ready for use.

Care & Maintenance

- ⊘  ● Prolonged exposure to rain may cause rusting which can stain floors.
 - ⊘  ● Do not put hot items directly on furniture surface.
 - ⊘  ● Do not clean furniture with harsh cleansers or polish.
 - ✓  ● To obtain the longest lifespan of your outdoor products, minimizing exposure to direct sunlight is recommended.
 - ⊘  ● Children should not climb or jump on the furniture.
 - ⊘  ● Do not write on furniture without a padded barrier to protect the surface.
 - ✓  ● To obtain the longest lifespan of your outdoor products, avoid extended and lengthy exposure to rain, snow, and direct sunshine. Whenever possible cover the product and /or place under patio or awnings.
 - ⊘  ● Not for commercial use. For residential use only.
 - ⊘  ● Stains may be removed with mild soap solution and damp cloth.
 - ✓  ● Keep away from sources of ignition.
-
- ✓  ● Dust and pick-up spills using a clean, non-colored, lint-free cloth.