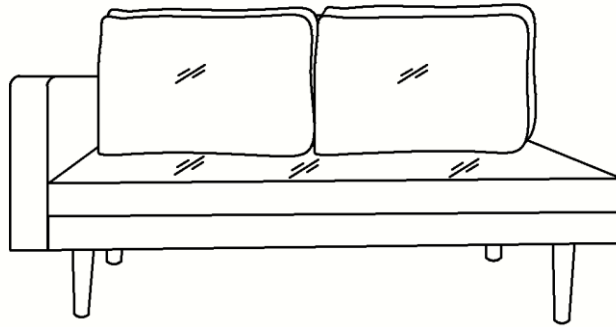


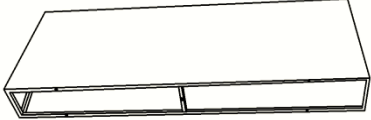
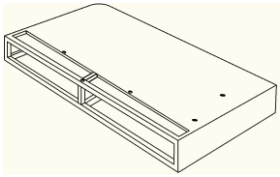
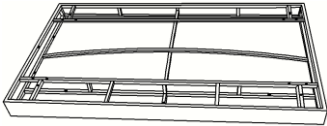
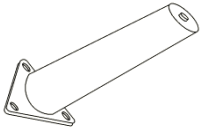
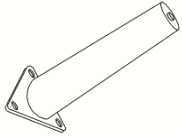
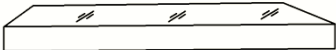

Assembly Instructions

Caution : You must read this before you proceed


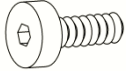
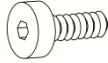

Right Sofa



Parts List

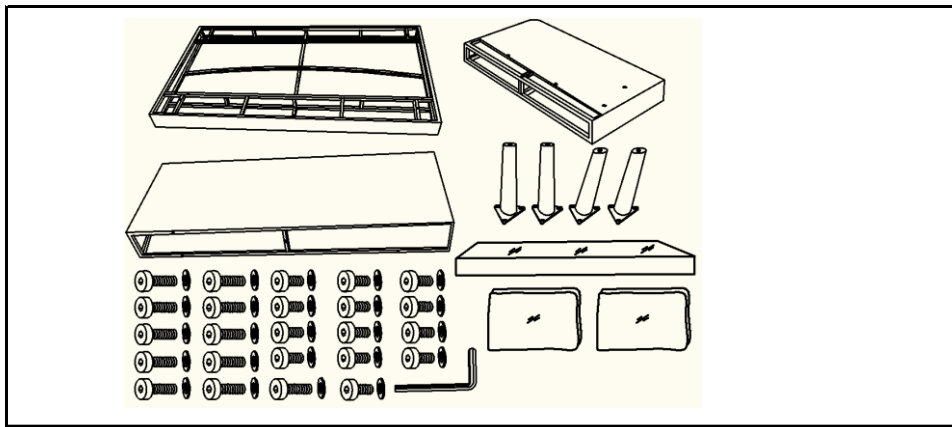
Label	Picture	Description	QTY
A		Backrest	1
B		Right Armrest	1
C		Seat Panel	1
D		Back Leg	2
E		Front Leg	2
F		Cushion	1
G		Back Cushion	2

Hardware

Label	Picture	Description	QTY
①		Allen Key	1
②		Bolt (M6*40)	11
③		Bolt (M6*15)	13
④		Washer	24

Assembly Preparation

Before Beginning Assembly:



- Read instructions, cover to cover-



- Have 2 adults on hand for assembly-



- Do not assemble on flooring or carpet-



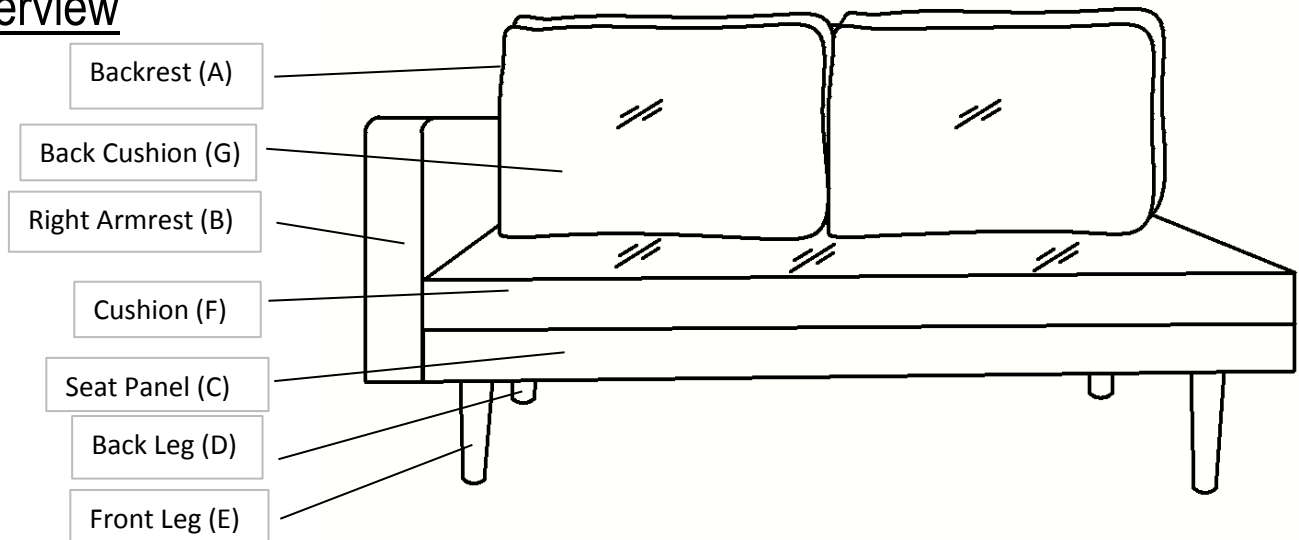
- Assemble on a clean non-marring surface (packing foam)-



- Save all packaging until finished-

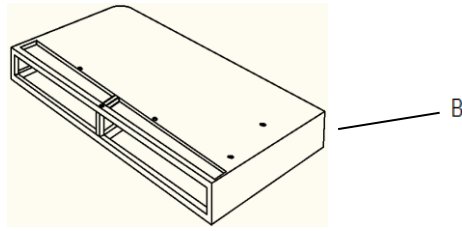
Assembly Steps

Overview



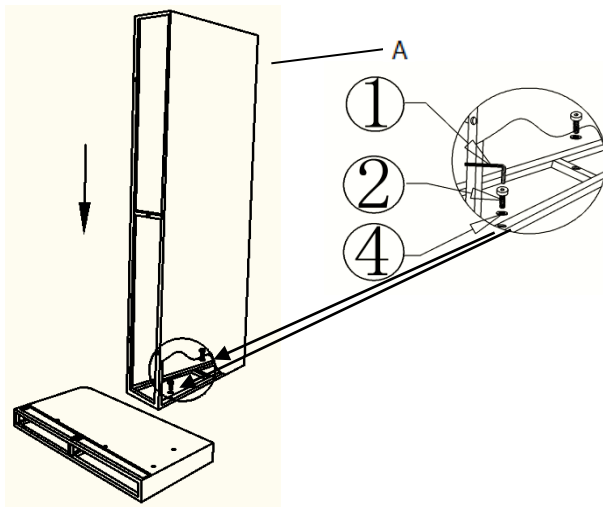
This Right Sofa has multiple parts and may require up to 30 minutes to assemble. To give you an overview of the Right Sofa parts, the above picture is to help you put the various parts into perspective. Please read through the instructions below to familiarise yourself with the parts and steps before assembly.

Step 1



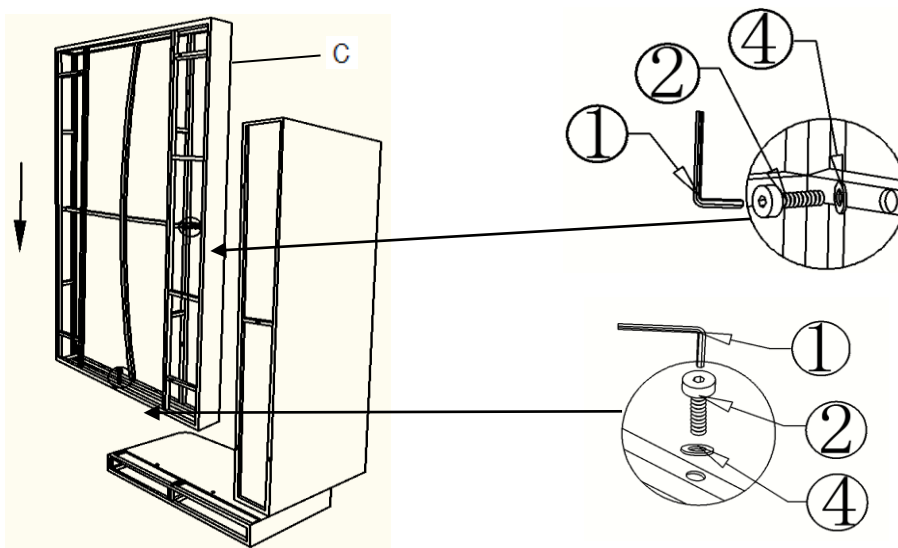
Unpack and place Right Armrest(B) on its side on a clean, non-marring surface.

Step 2



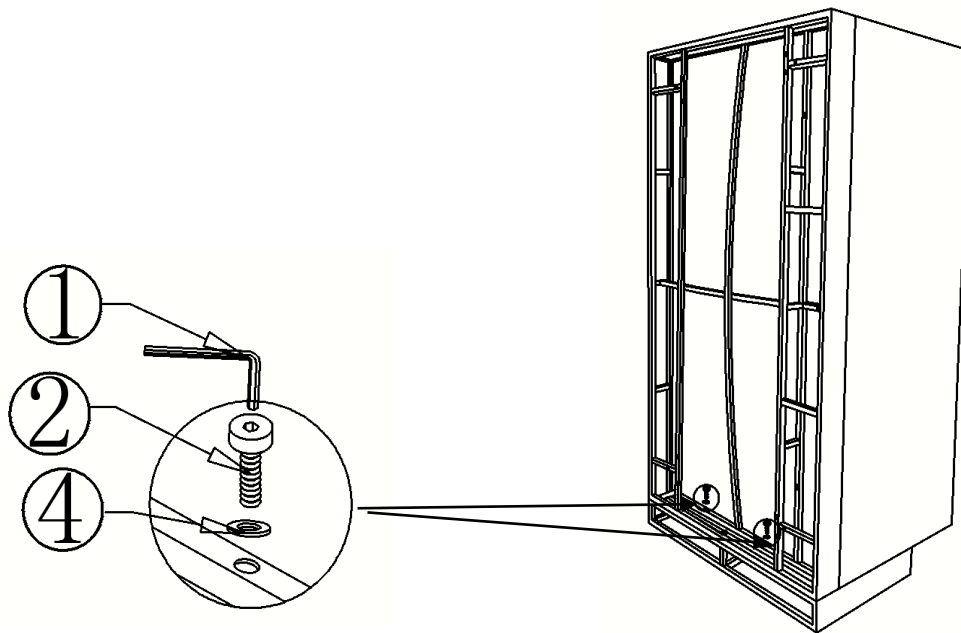
Attach Backrest(A) to Right Armrest(B) using Bolts(2) and Washers(4) with Allen Key(1).
Do not fully tighten the Bolts.

Step 3



Attach Seat Panel(C) to Backrest Panel(A) and Right Armrest(B) using Bolts(2) and Washers(4) with Allen Key(1) as shown in the picture.
Do not fully tighten the Bolts.

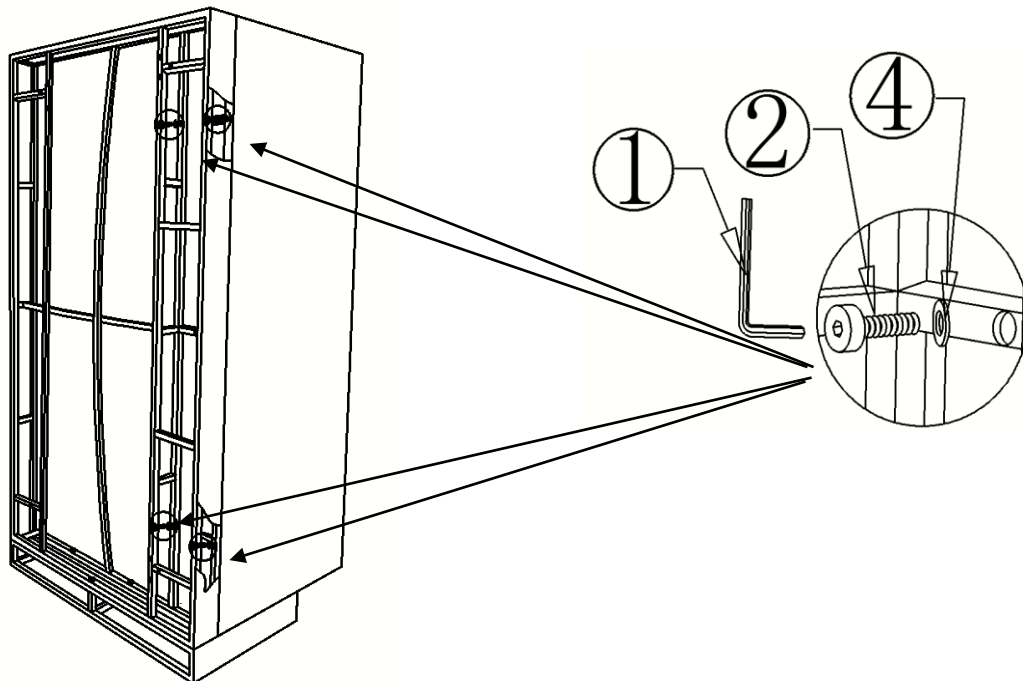
Step 4



Attach Seat Panel(C) to Right Armrest(B) using Bolts(2) and Washers(4) with Allen Key(1) as shown in the picture.

Do not fully tighten the Bolts.

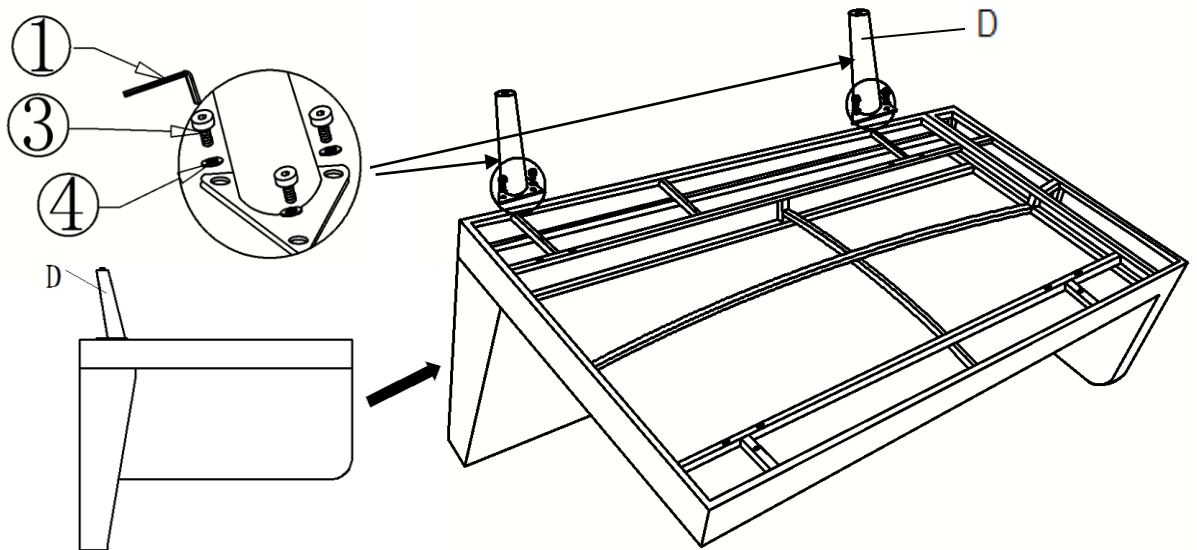
Step 5



Attach Seat Panel(C) to Backrest Panel(B) using Bolts(2) and Washers(4) with Allen Key(1) as shown in the picture.

Do not fully tighten the Bolts.

Step 6

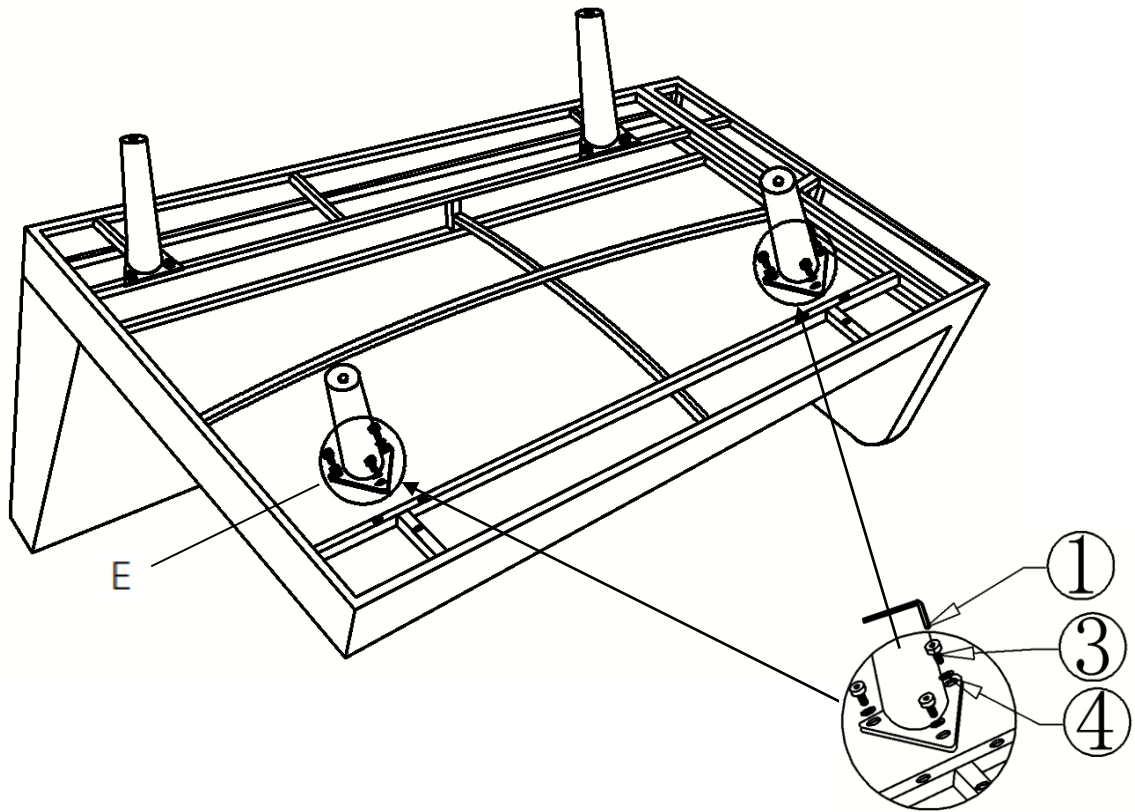


Align Back Legs(D) to mounting positions on the base of the Seat Panel(C).

Attach Back Legs(D) to Seat Panel(C) using Bolts(3) and Washers(4) with Allen Key(1) as shown in the picture.

Do not fully tighten the Bolts.

Step 7

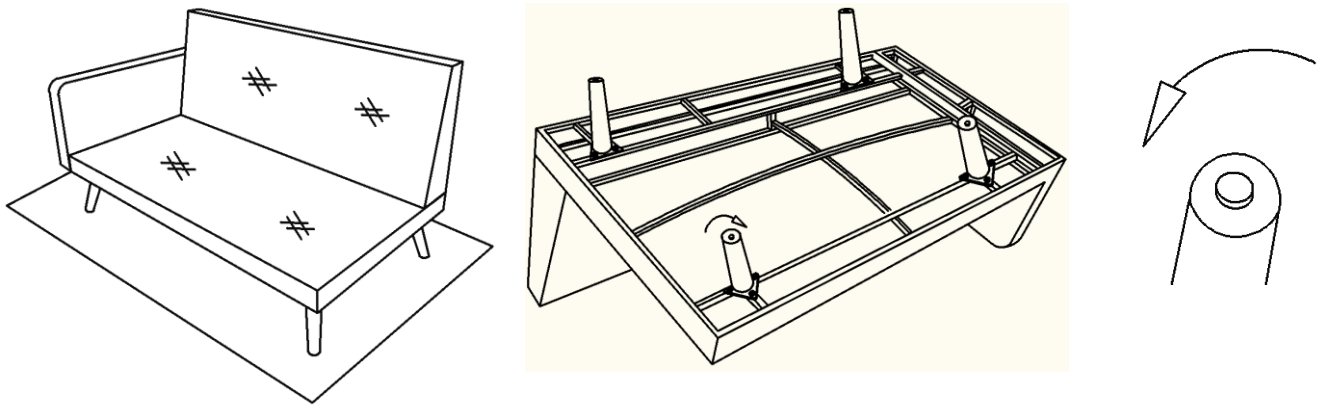


Align Front Legs(E) to mounting positions on the base of the Seat Panel(C).

Attach Front Legs(E) to Seat Panel(C) using Bolts(3) and Washers(4) with Allen Key(1) as shown in the picture.

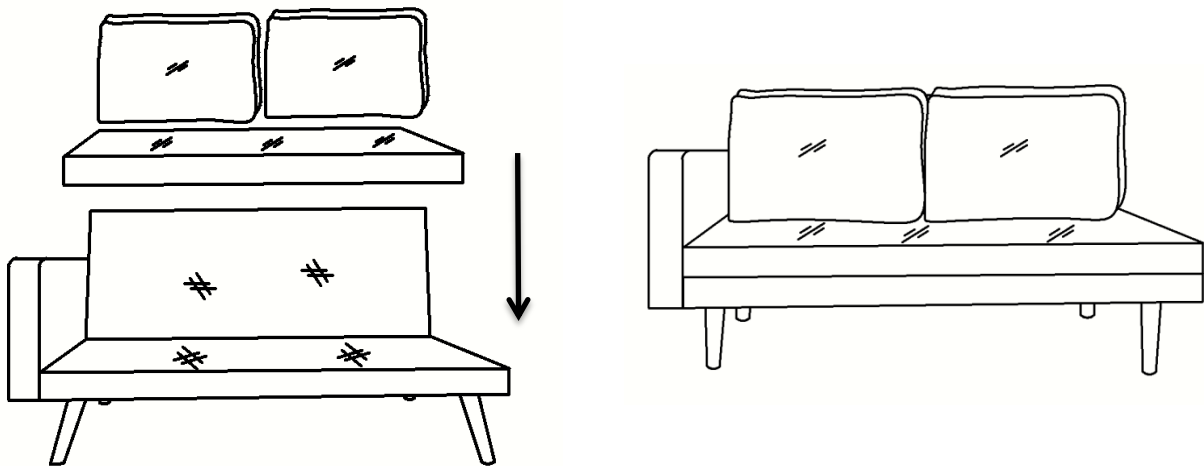
Now, proceed to tighten all Bolts at all joints in a sequential manner.

Step 8























Place the Sofa on a **LEVEL SURFACE** to check for wobbles.
If it wobbles, adjust the Legs Pre-installed Levellers until the Sofa is level with the ground.

Step 9



Put the Cushion(F) and Back Cushion(G) onto the Sofa.
Your Right Sofa is now ready for use.
This Right Sofa can only be used on a flat, level surface.

Care & Maintenance

-   ● Do not put hot items directly on furniture surface
 -   ● Do not clean furniture with harsh cleansers or polish.
 -   ● To obtain the longest lifespan of your outdoor products, minimizing exposure to direct sunlight is recommended.
 -   ● Children should not climb or jump on the furniture.
 -   ● Do not write on furniture without a padded barrier to protect the surface.
 -   ● To obtain the longest lifespan of your outdoor products, avoid extended and lengthy exposure to rain, snow, and direct sunshine. Whenever possible cover the product and /or place under patio or awnings.
 -   ● Not for commercial use. For residential use only .
 -   ● Stains may be removed with mild soap solution and damp cloth.
 -   ● Keep away from sources of ignition.
-
-   ● Dust and pick-up spills using a clean, non-colored, lint-free cloth .

Questions & Answers about Proposition 65

• What is Proposition 65?

Proposition 65 requires businesses to provide warnings to Californians about significant exposures to chemicals that cause cancer, birth defects or other reproductive harm. These chemicals can be in the products that Californians purchase, in their homes or workplaces, or that are released into the environment. By requiring that this information be provided, Proposition 65 enables Californians to make informed decisions about their exposures to these chemicals.

Proposition 65 also prohibits California businesses from knowingly discharging significant amounts of listed chemicals into sources of drinking water.

Proposition 65 requires California to publish a list of chemicals known to cause cancer, birth defects or other reproductive harm. This list, which must be updated at least once a year, has grown to include approximately 900 chemicals since it was first published in 1987.

• What types of chemicals are on the Proposition 65 list?

The list contains a wide range of naturally occurring and synthetic chemicals that include additives or ingredients in pesticides, common household products, food, drugs, dyes, or solvents. Listed chemicals may also be used in manufacturing and construction, or they may be byproducts of chemical processes, such as motor vehicle exhaust.

• What does a warning mean?

If a warning is placed on a product label or posted or distributed at a workplace, a business, or in rental housing, the business issuing the warning is aware or believes that it is exposing individuals to one or more listed chemicals.

By law, a warning must be given for listed chemicals unless the exposure is low enough to pose no significant risk of cancer or is significantly below levels observed to cause birth defects or other reproductive harm.

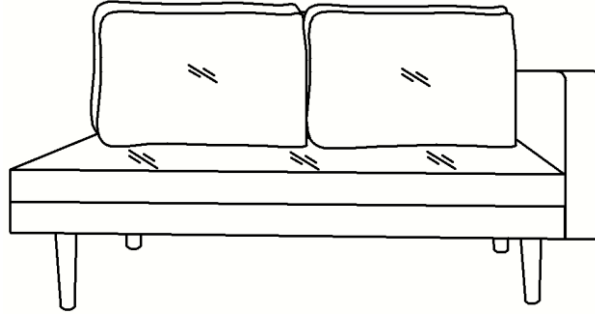
• Where can I get more information on Proposition 65?

If you have specific questions on the administration or implementation of Proposition 65, you can contact OEHHA's Proposition 65 program at P65.Questions@oehha.ca.gov, or by phone at (916) 445-6900.

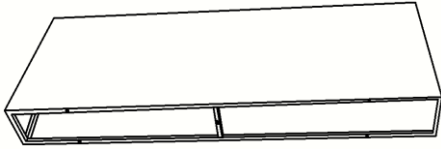
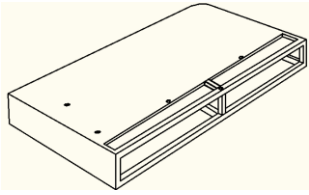
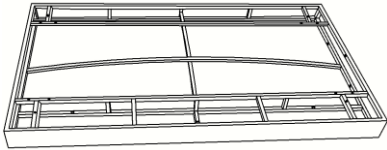
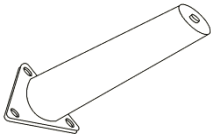
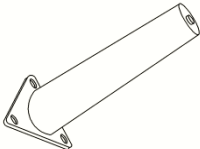
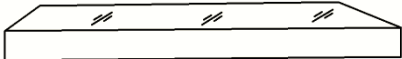
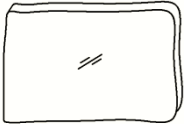
Assembly Instructions

Caution : You must read this before you proceed


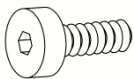
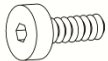

Left Sofa



Parts List

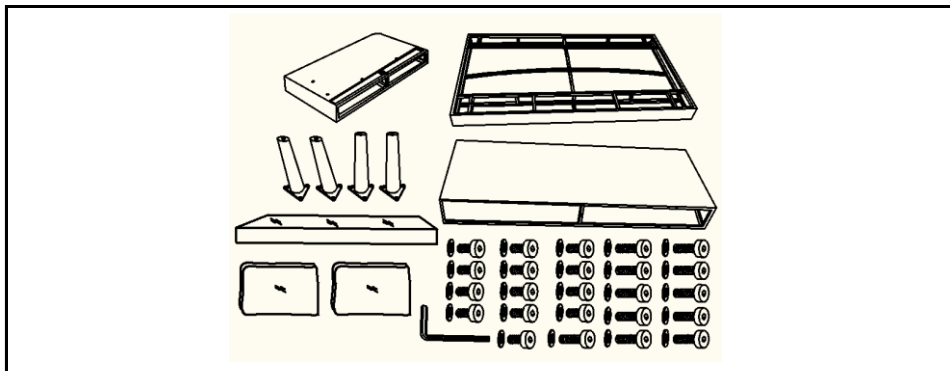
Label	Picture	Description	QTY
A		Backrest	1
B		Left Armrest	1
C		Seat Panel	1
D		Back Leg	2
E		Front Leg	2
F		Cushion	1
G		Back Cushion	2






Hardware

Label	Picture	Description	QTY
①		Allen Key	1
②		Bolt (M6*40)	11
③		Bolt (M6*15)	13
④		Washer	24

Assembly Preparation

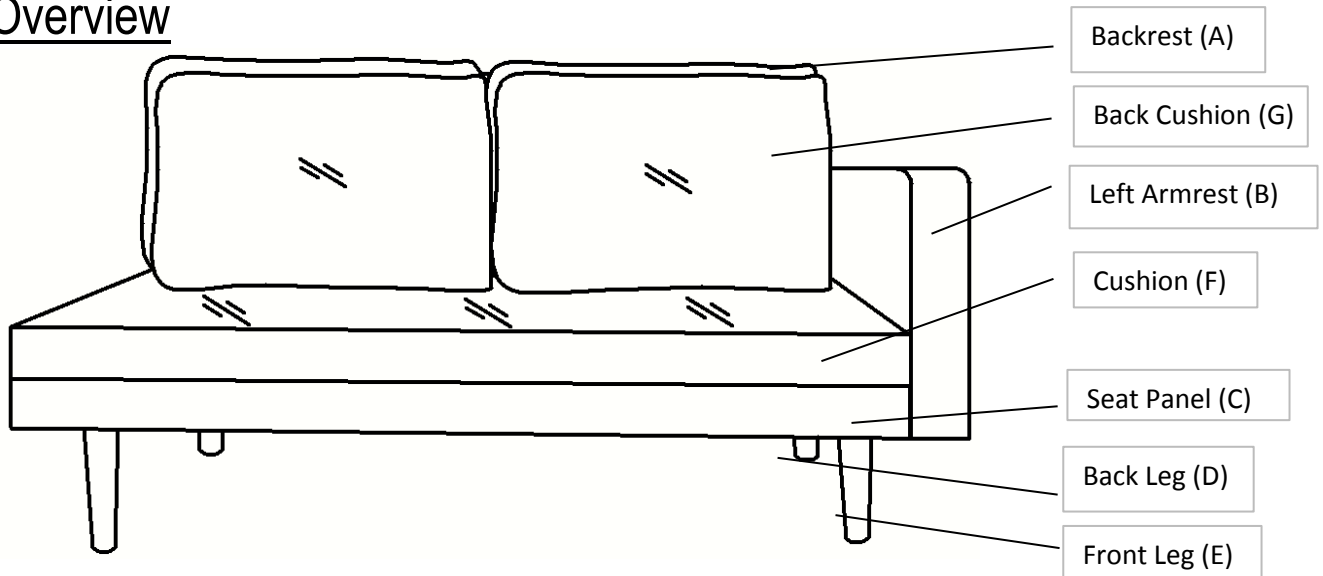
Before Beginning Assembly:



-  • Read instructions, cover to cover-
-  • Have 2 adults on hand for assembly-
-  • Do not assemble on flooring or carpet-
-  • Assemble on a clean non-marring surface (packing foam)-
-  • Save all packaging until finished-

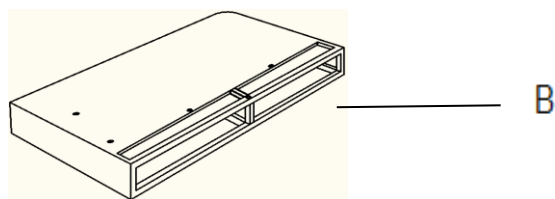
Assembly Steps

Overview



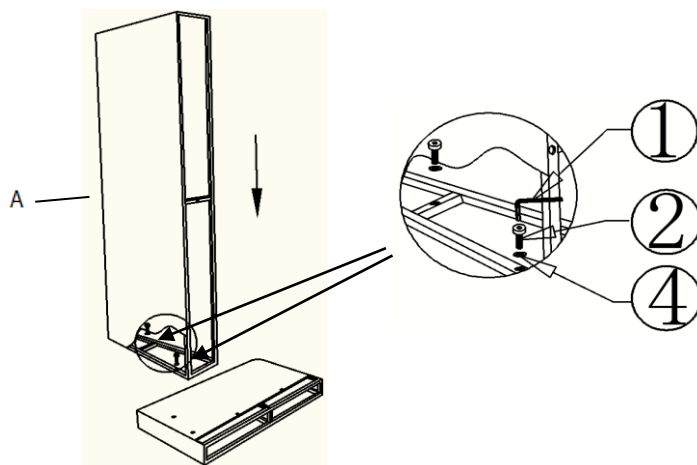
This Left Sofa has multiple parts and may require up to 30 minutes to assemble. To give you an overview of the Left Sofa parts, the above picture is to help you put the various parts into perspective. Please read through the instructions below to familiarise yourself with the parts and steps before assembly.

Step 1



Unpack and place Left Armrest(B) on its side on a clean, non-marring surface.

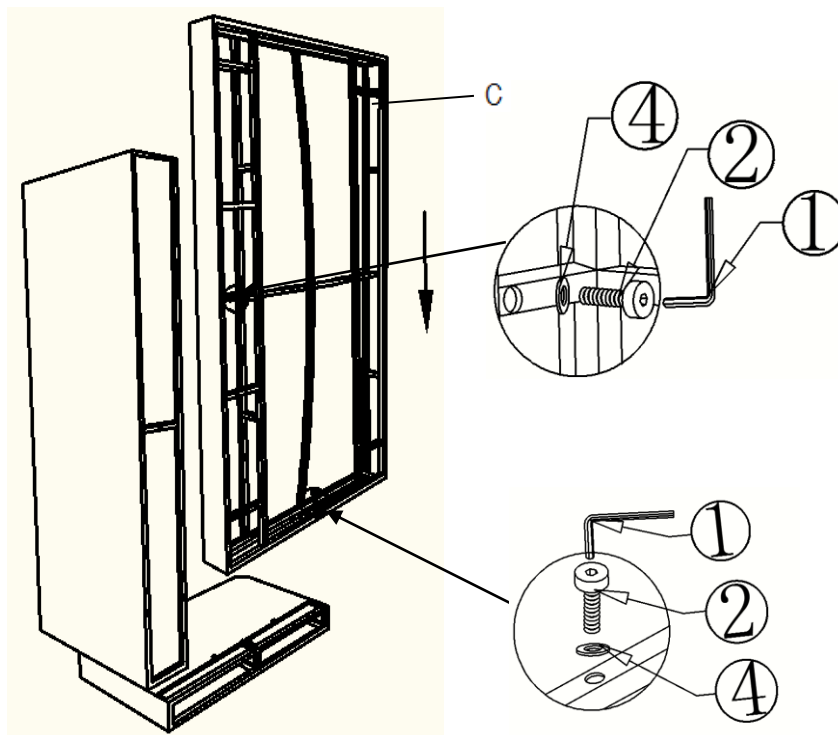
Step 2



Attach Backrest(A) to Left Armrest(B) using Bolts(2) and Washers(4) with Allen Key(1).

Do not fully tighten the Bolts.

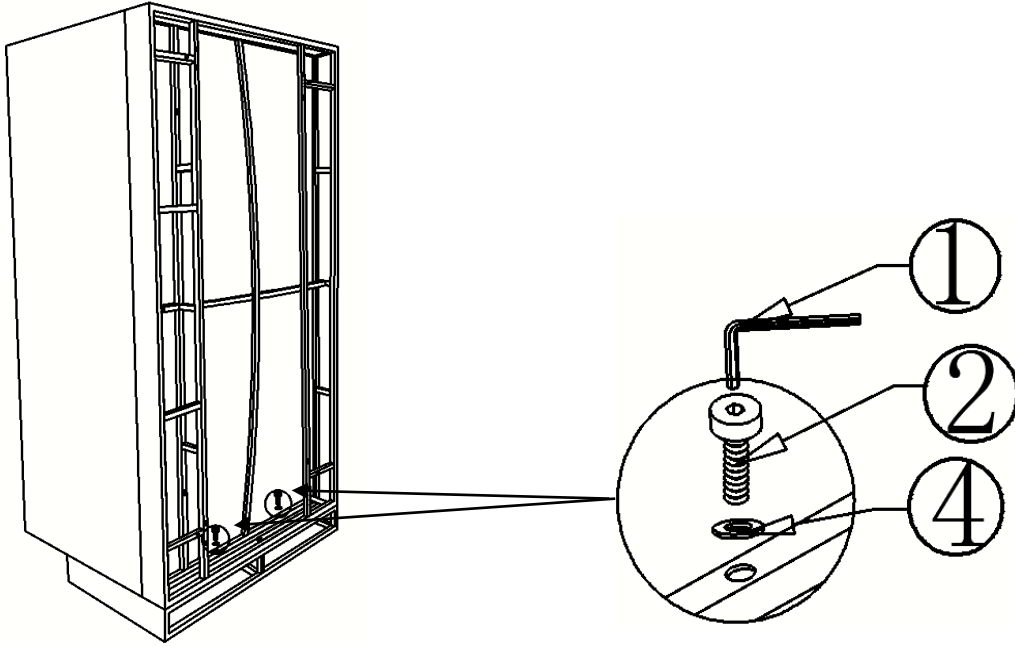
Step 3



Attach Seat Panel(C) to Backrest Panel(A) and Left Armrest(B) using Bolts(2) and Washers(4) with Allen Key(1) as shown in the picture.

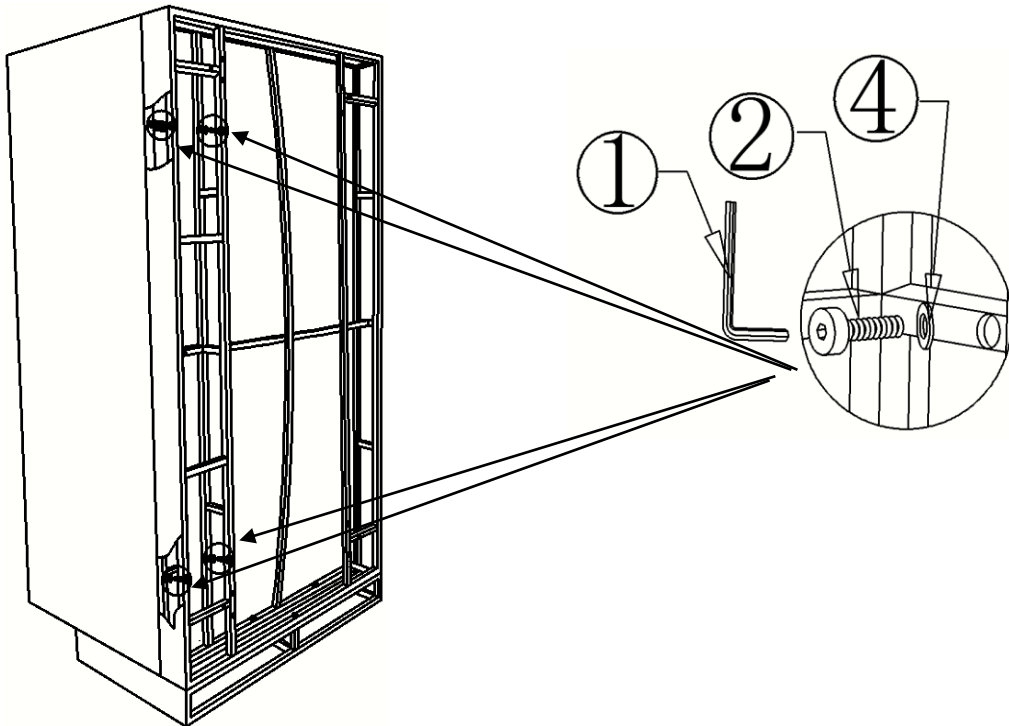
Do not fully tighten the Bolts.

Step 4



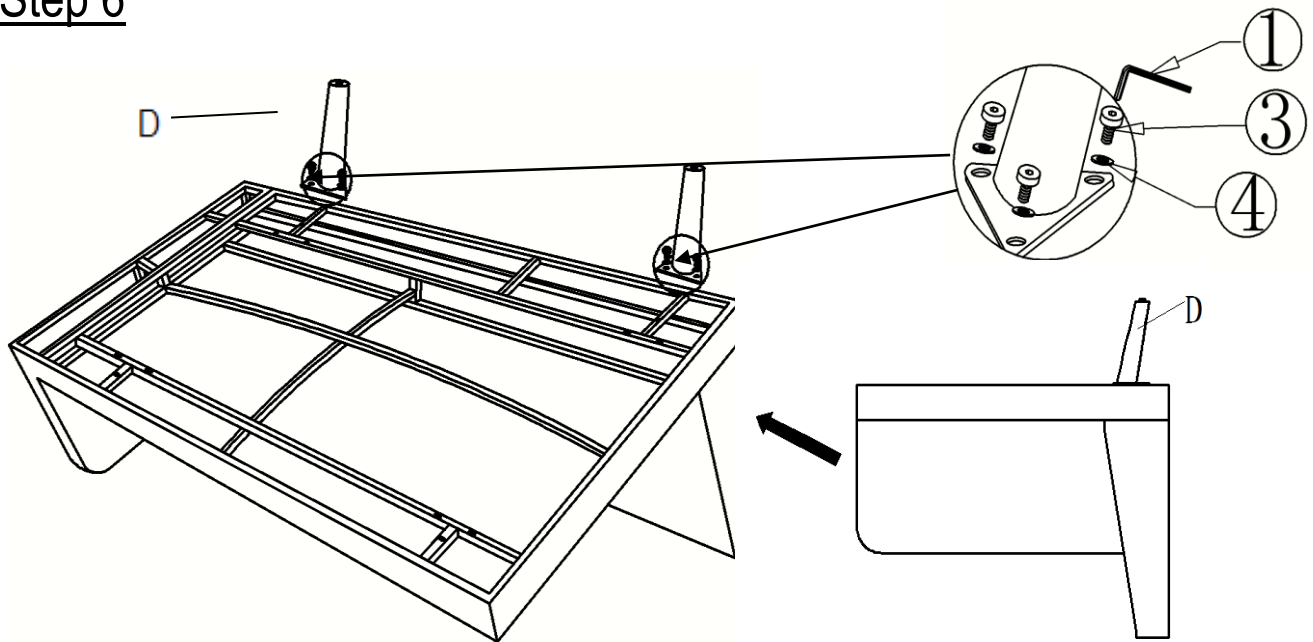
Attach Seat Panel(C) to Left Armrest(B) using Bolts(2) and Washers(4) with Allen Key(1) as shown in the picture.
Do not fully tighten the Bolts.

Step 5



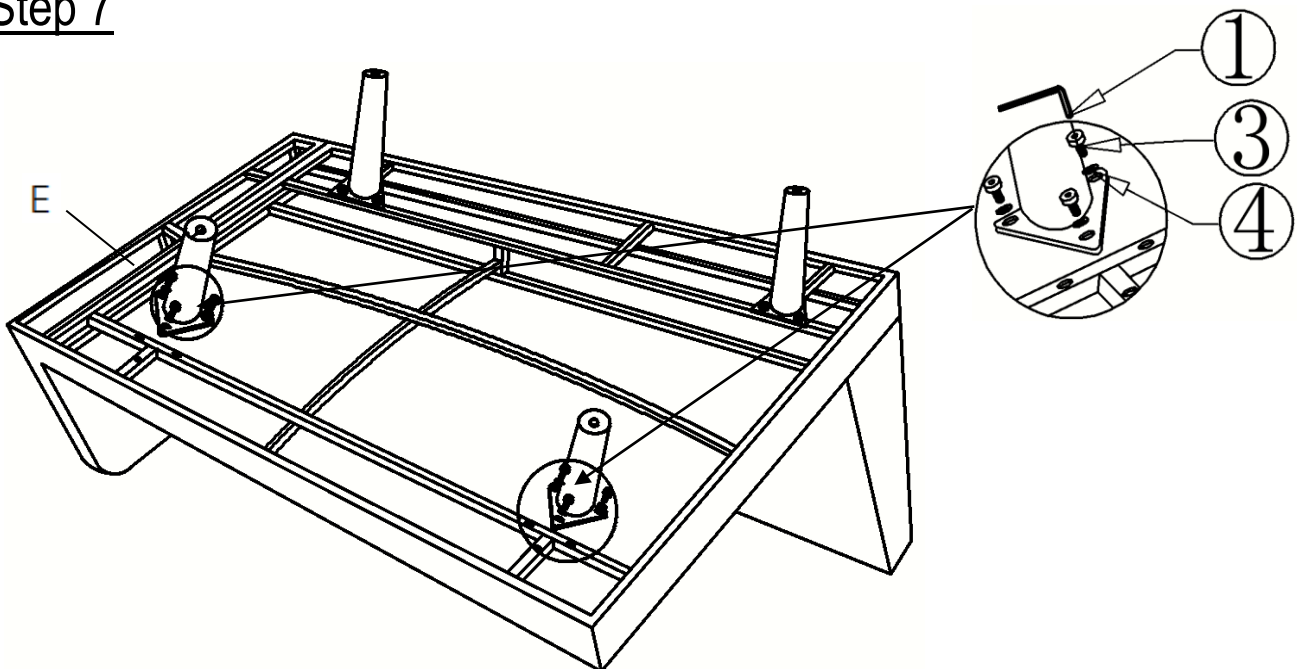
Attach Seat Panel(C) to Backrest Panel(B) using Bolts(2) and Washers(4) with Allen Key(1) as shown in the picture.
Do not fully tighten the Bolts.

Step 6



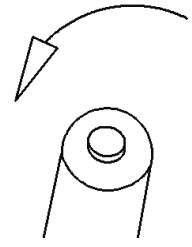
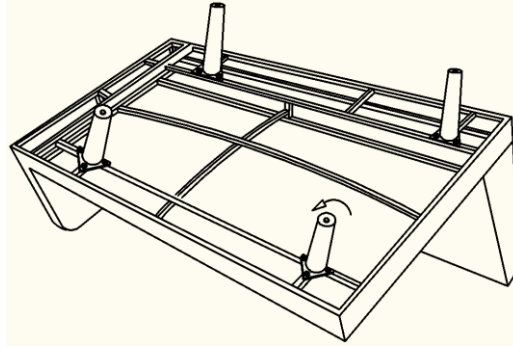
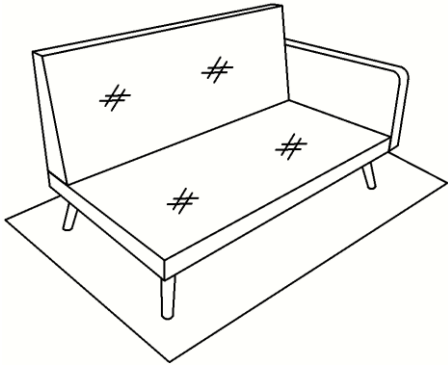
Align Back Legs(D) to mounting positions on the base of the Seat Panel(C).
Attach Back Legs(D) to Seat Panel(C) using Bolts(③) and Washers(④) with Allen Key(①) as shown in the picture.
Do not fully tighten the Bolts.

Step 7



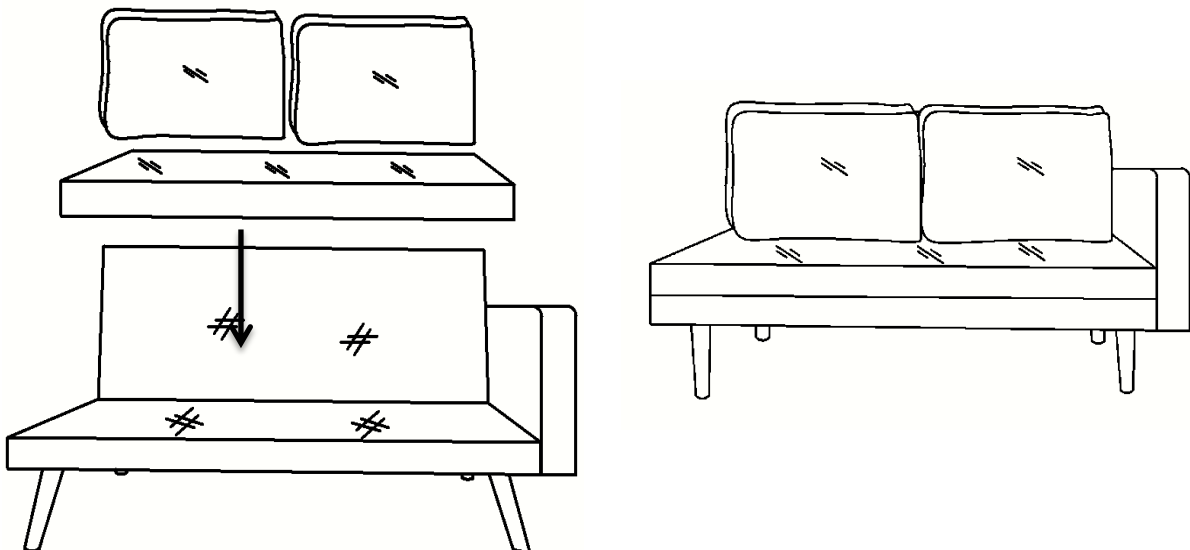
Align Front Legs(E) to mounting positions on the base of the Seat Panel(C).
Attach Front Legs(E) to Seat Panel(C) using Bolts(③) and Washers(④) with Allen Key(①) as shown in the picture.
Now, proceed to tighten all Bolts at all joints in a sequential manner.

Step 8























Place the Sofa on a **LEVEL SURFACE** to check for wobbles.
If it wobbles, adjust the Legs Pre-installed Levellers until the Sofa is level with the ground.

Step 9



Put the Cushion(F) and Back Cushion(G) onto the Sofa.
Your Left Sofa is now ready for use.
This Left Sofa can only be used on a flat, level surface.

Care & Maintenance

-   • Do not put hot items directly on furniture surface
 -   • Do not clean furniture with harsh cleansers or polish.
 -   • To obtain the longest lifespan of your outdoor products, minimizing exposure to direct sunlight is recommended.
 -   • Children should not climb or jump on the furniture.
 -   • Do not write on furniture without a padded barrier to protect the surface.
 -   • To obtain the longest lifespan of your outdoor products, avoid extended and lengthy exposure to rain, snow, and direct sunshine. Whenever possible cover the product and /or place under patio or awnings.
 -   • Not for commercial use. For residential use only .
 -   • Stains may be removed with mild soap solution and damp cloth.
 -   • Keep away from sources of ignition.
-
-   • Dust and pick-up spills using a clean, non-colored, lint-free cloth .

Questions & Answers about Proposition 65

• What is Proposition 65?

Proposition 65 requires businesses to provide warnings to Californians about significant exposures to chemicals that cause cancer, birth defects or other reproductive harm. These chemicals can be in the products that Californians purchase, in their homes or workplaces, or that are released into the environment. By requiring that this information be provided, Proposition 65 enables Californians to make informed decisions about their exposures to these chemicals.

Proposition 65 also prohibits California businesses from knowingly discharging significant amounts of listed chemicals into sources of drinking water.

Proposition 65 requires California to publish a list of chemicals known to cause cancer, birth defects or other reproductive harm. This list, which must be updated at least once a year, has grown to include approximately 900 chemicals since it was first published in 1987.

• What types of chemicals are on the Proposition 65 list?

The list contains a wide range of naturally occurring and synthetic chemicals that include additives or ingredients in pesticides, common household products, food, drugs, dyes, or solvents. Listed chemicals may also be used in manufacturing and construction, or they may be byproducts of chemical processes, such as motor vehicle exhaust.

• What does a warning mean?

If a warning is placed on a product label or posted or distributed at a workplace, a business, or in rental housing, the business issuing the warning is aware or believes that it is exposing individuals to one or more listed chemicals.

By law, a warning must be given for listed chemicals unless the exposure is low enough to pose no significant risk of cancer or is significantly below levels observed to cause birth defects or other reproductive harm.

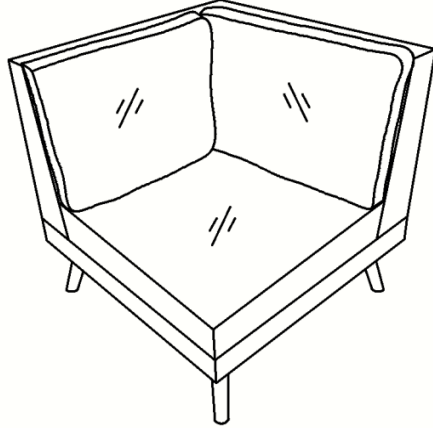
• Where can I get more information on Proposition 65?

If you have specific questions on the administration or implementation of Proposition 65, you can contact OEHHA's Proposition 65 program at P65.Questions@oehha.ca.gov, or by phone at (916) 445-6900.

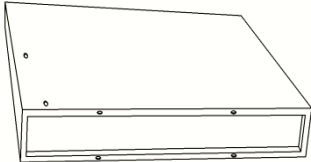
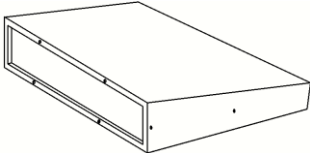
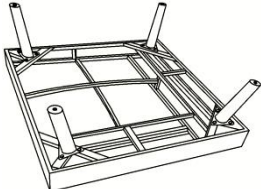
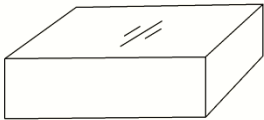
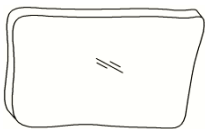
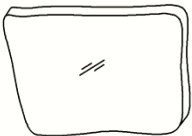
Assembly Instructions

Caution : You must read this before you proceed

Corner Sofa



Parts List

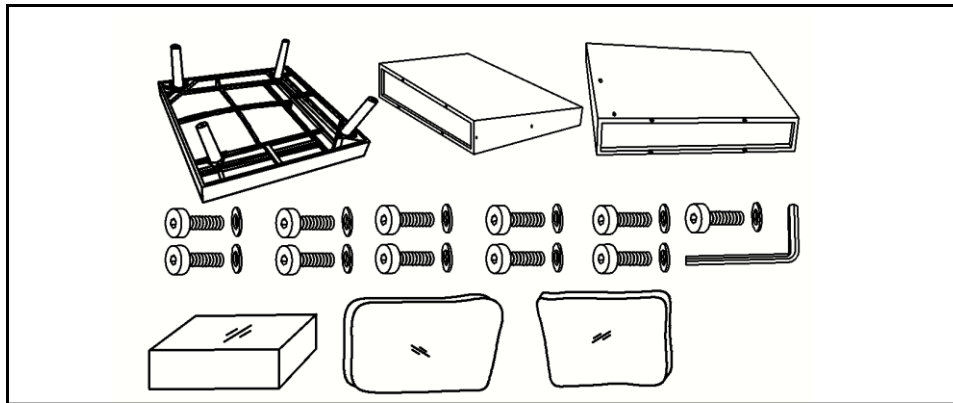
Label	Picture	Description	QTY
A		Back Panel	1
B		Small Back Panel	1
C		Seat Panel	1
D		Cushion	1
E		Back Cushion	1
F		Small Back Cushion	1






Hardware

Label	Picture	Description	QTY
①		Allen Key	1
②		Bolt (M6*40)	11
③		Washer	11

Assembly Preparation

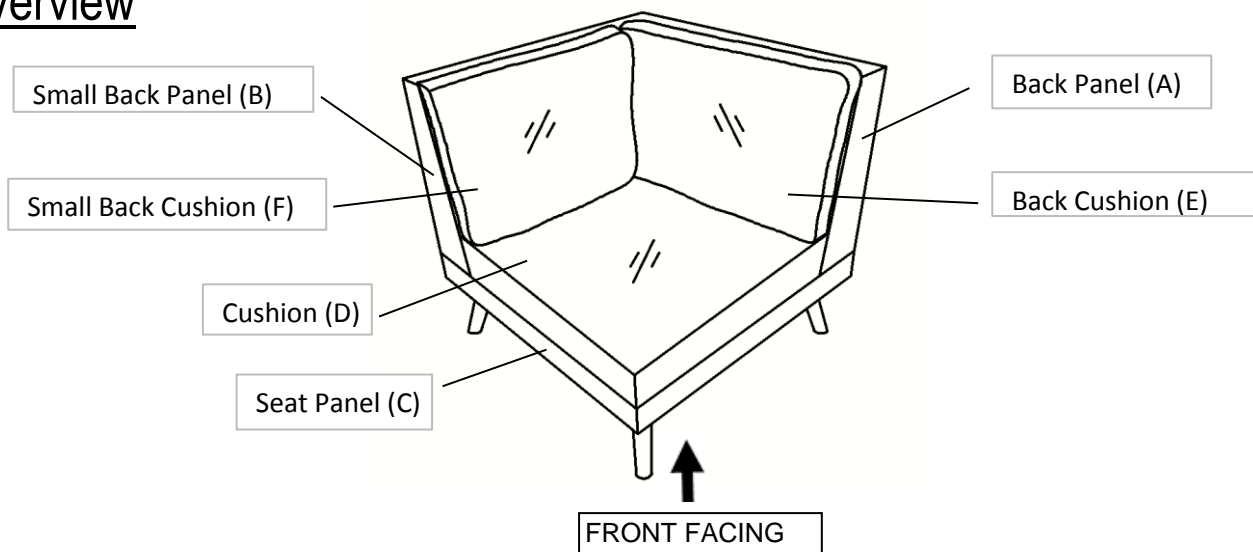
Before Beginning Assembly:



-  • Read instructions, cover to cover-
-  • Have 2 adults on hand for assembly-
-  • Do not assemble on flooring or carpet-
-  • Assemble on a clean non-marring surface (packing foam)-
-  • Save all packaging until finished-

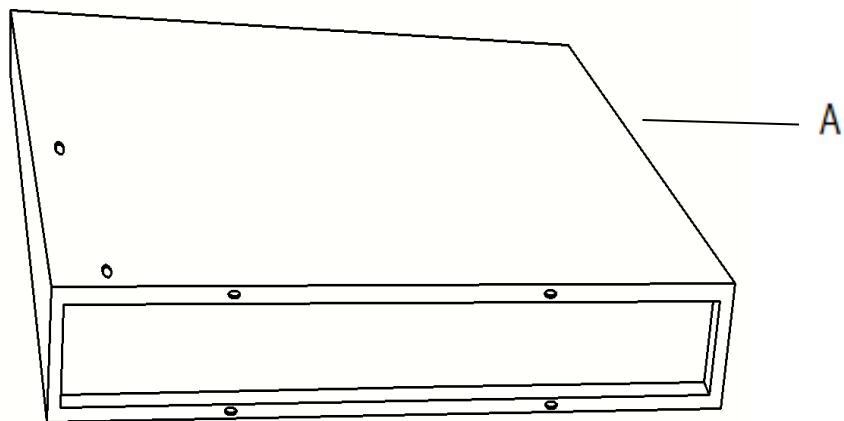
Assembly Steps

Overview



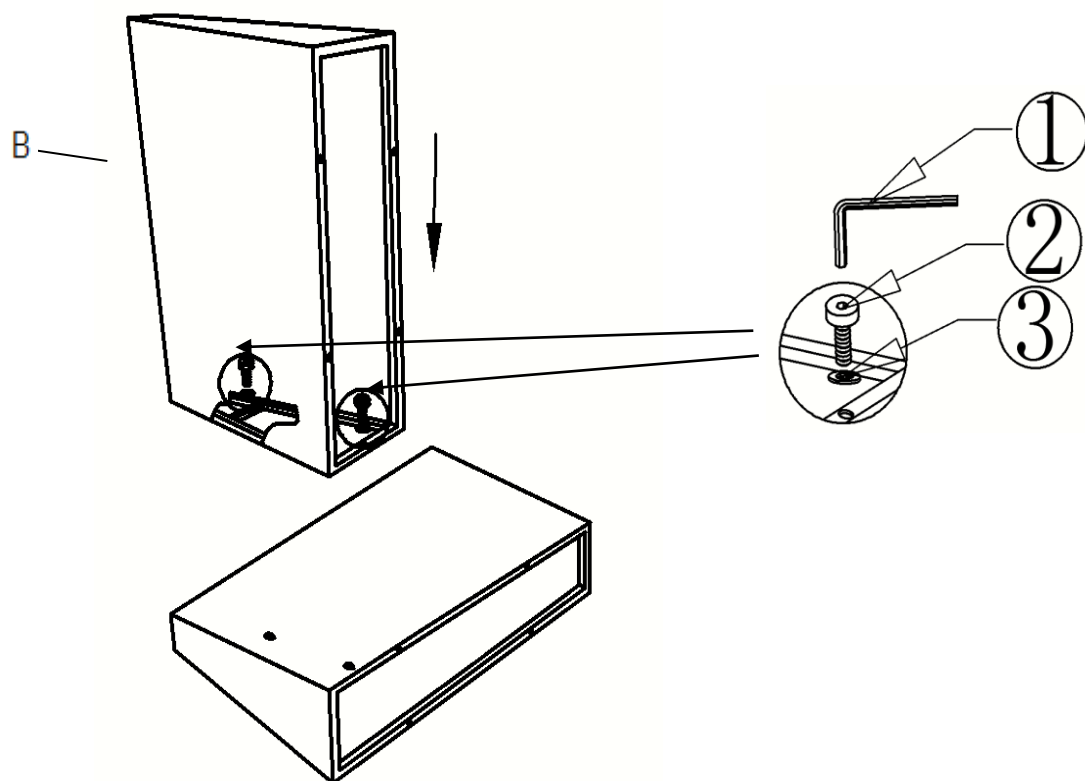
This Corner Sofa has multiple parts and may require up to 30 minutes to assemble. To give you an overview of the Corner Sofa parts, the above picture is to help you put the various parts into perspective. Please read through the instructions below to familiarise yourself with the parts and steps before assembly.

Step 1



Unpack and place Back Panel(A) on its side on a clean, non-marring surface.

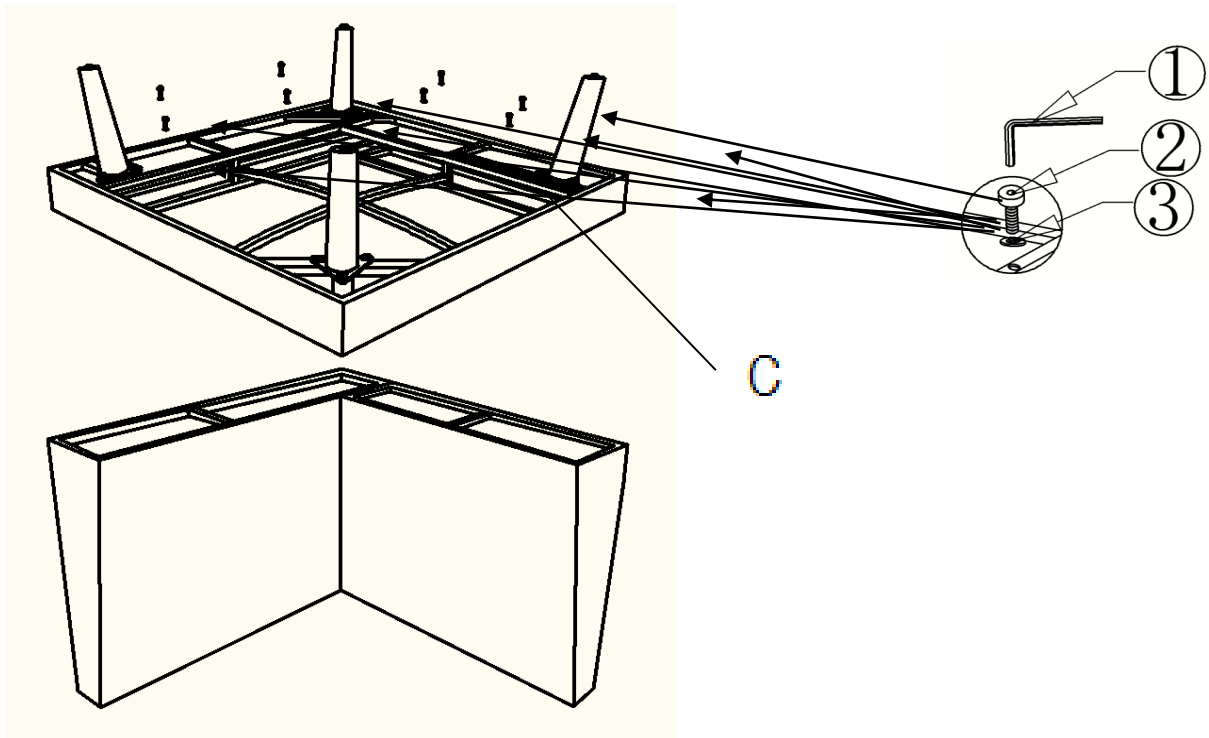
Step 2



Attach Small Back Panel(B) to Back Panel(A) using Bolts(②) and Washers(③) with Allen Key(①).

Do not fully tighten the Bolts.

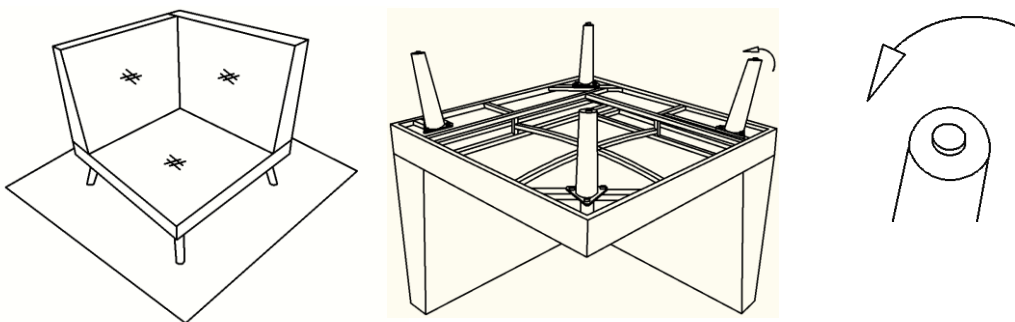
Step 3



Attach Seat Panel(C) to Back Panel(A) and Small Back Panel(B) using Bolts(②) and Washers(③) with Allen Key(①) as shown in the picture.

Now, proceed to tighten all Bolts at all joints in a sequential manner.

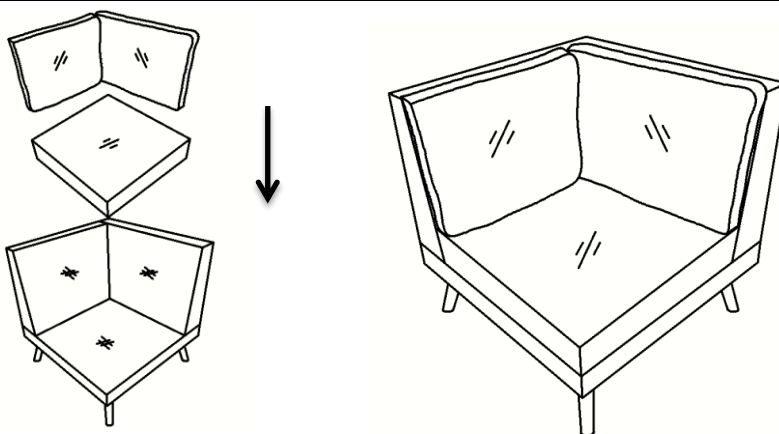
Step 4



Place the Sofa on a LEVEL SURFACE to check for wobbles.

If it wobbles, adjust the Legs Pre-installed Levellers until the Sofa is level with the ground.





















Step 5



Put the Cushion(D) , Back Cushion(E) and Small Back Cushion(F) onto the Sofa.
Your Corner Sofa is now ready for use.

This Corner Sofa can only be used on a flat, level surface.

Care & Maintenance

-   • Do not put hot items directly on furniture surface
 -   • Do not clean furniture with harsh cleansers or polish.
 -   • To obtain the longest lifespan of your outdoor products, minimizing exposure to direct sunlight is recommended.
 -   • Children should not climb or jump on the furniture.
 -   • Do not write on furniture without a padded barrier to protect the surface.
 -   • To obtain the longest lifespan of your outdoor products, avoid extended and lengthy exposure to rain, snow, and direct sunshine. Whenever possible cover the product and /or place under patio or awnings.
 -   • Not for commercial use. For residential use only .
 -   • Stains may be removed with mild soap solution and damp cloth.
 -   • Keep away from sources of ignition.
-
-   • Dust and pick-up spills using a clean, non-colored, lint-free cloth .

Questions & Answers about Proposition 65

• What is Proposition 65?

Proposition 65 requires businesses to provide warnings to Californians about significant exposures to chemicals that cause cancer, birth defects or other reproductive harm. These chemicals can be in the products that Californians purchase, in their homes or workplaces, or that are released into the environment. By requiring that this information be provided, Proposition 65 enables Californians to make informed decisions about their exposures to these chemicals.

Proposition 65 also prohibits California businesses from knowingly discharging significant amounts of listed chemicals into sources of drinking water.

Proposition 65 requires California to publish a list of chemicals known to cause cancer, birth defects or other reproductive harm. This list, which must be updated at least once a year, has grown to include approximately 900 chemicals since it was first published in 1987.

• What types of chemicals are on the Proposition 65 list?

The list contains a wide range of naturally occurring and synthetic chemicals that include additives or ingredients in pesticides, common household products, food, drugs, dyes, or solvents. Listed chemicals may also be used in manufacturing and construction, or they may be byproducts of chemical processes, such as motor vehicle exhaust.

• What does a warning mean?

If a warning is placed on a product label or posted or distributed at a workplace, a business, or in rental housing, the business issuing the warning is aware or believes that it is exposing individuals to one or more listed chemicals.

By law, a warning must be given for listed chemicals unless the exposure is low enough to pose no significant risk of cancer or is significantly below levels observed to cause birth defects or other reproductive harm.

• Where can I get more information on Proposition 65?

If you have specific questions on the administration or implementation of Proposition 65, you can contact OEHHHA's Proposition 65 program at P65.Questions@oehha.ca.gov, or by phone at (916) 445-6900.