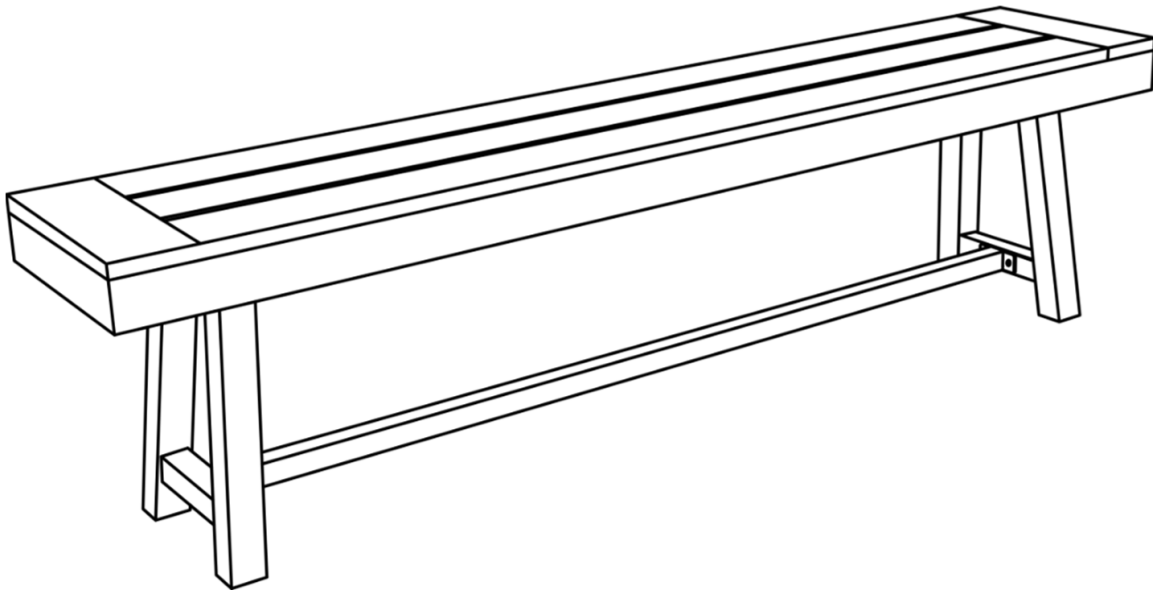


# Assembly Instructions

Caution: You must read this before you proceed

Please look in the iron leg for hardware packs.

## BENCH

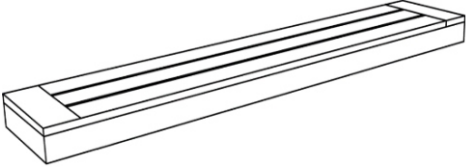

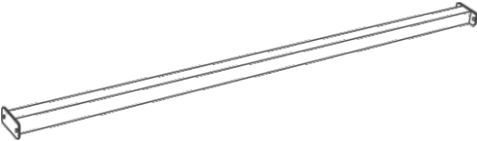


**Caution:** This Bench is NOT a TOY.

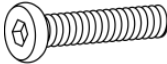


Keep your child/children at bay during the assembly process.

Whenever moving/lifting the Bench and to prevent damage to the Bench, two adults are required to execute these actions.

## Part List

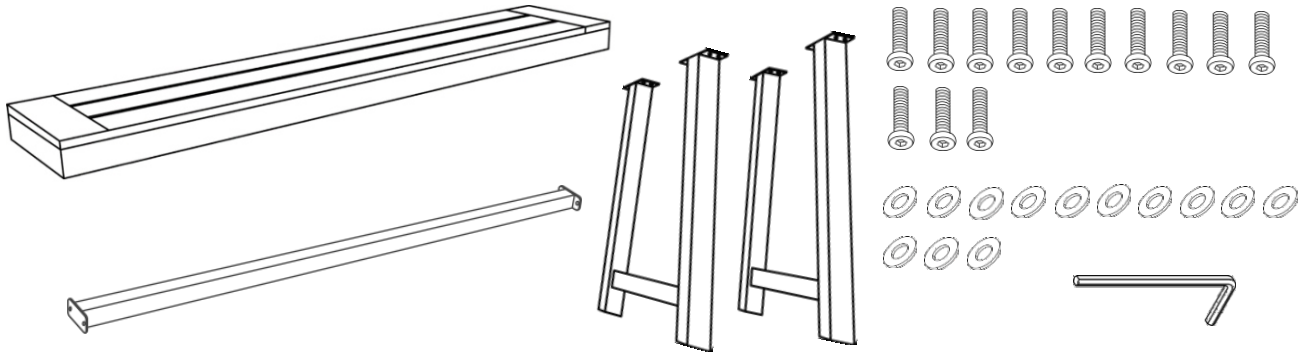
Label	Picture	Description	QTY
A		Seat Panel	1
B		Iron Leg	2
C		Support Bar	1






## Hardware

Label	Picture	Description	QTY
①		Bolt (M8x20mm)	13
②		Washer (8.5/20x2mm)	13
③		Allen Wrench	1

# Assembly Preparation

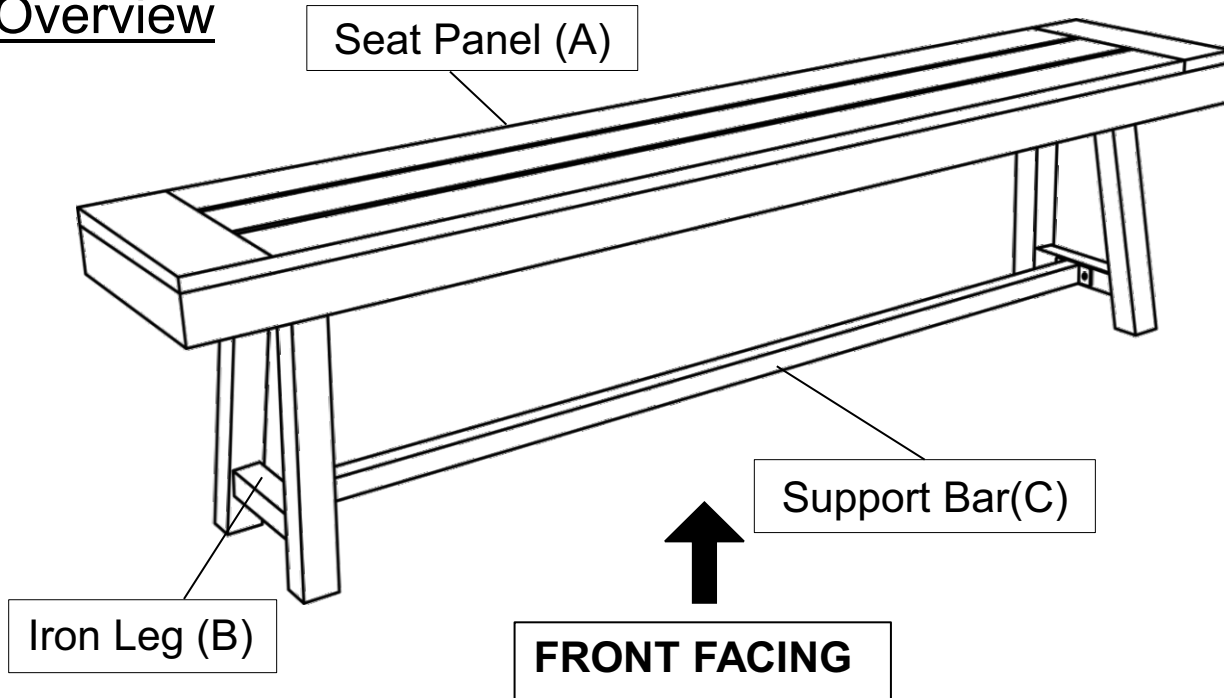
Before Beginning Assembly:



-  • Read instructions, cover to cover-
-  • Have 2 adults on hand for assembly-
-  • Do not assemble on flooring or carpet-
-  • Assemble on a clean non-marring surface (packing foam)-
-  • Save all packaging until finished-

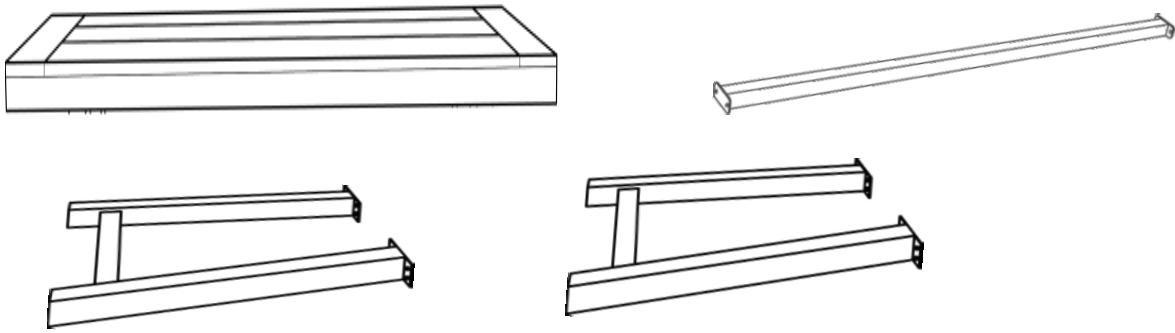
# Assembly Steps

## Overview



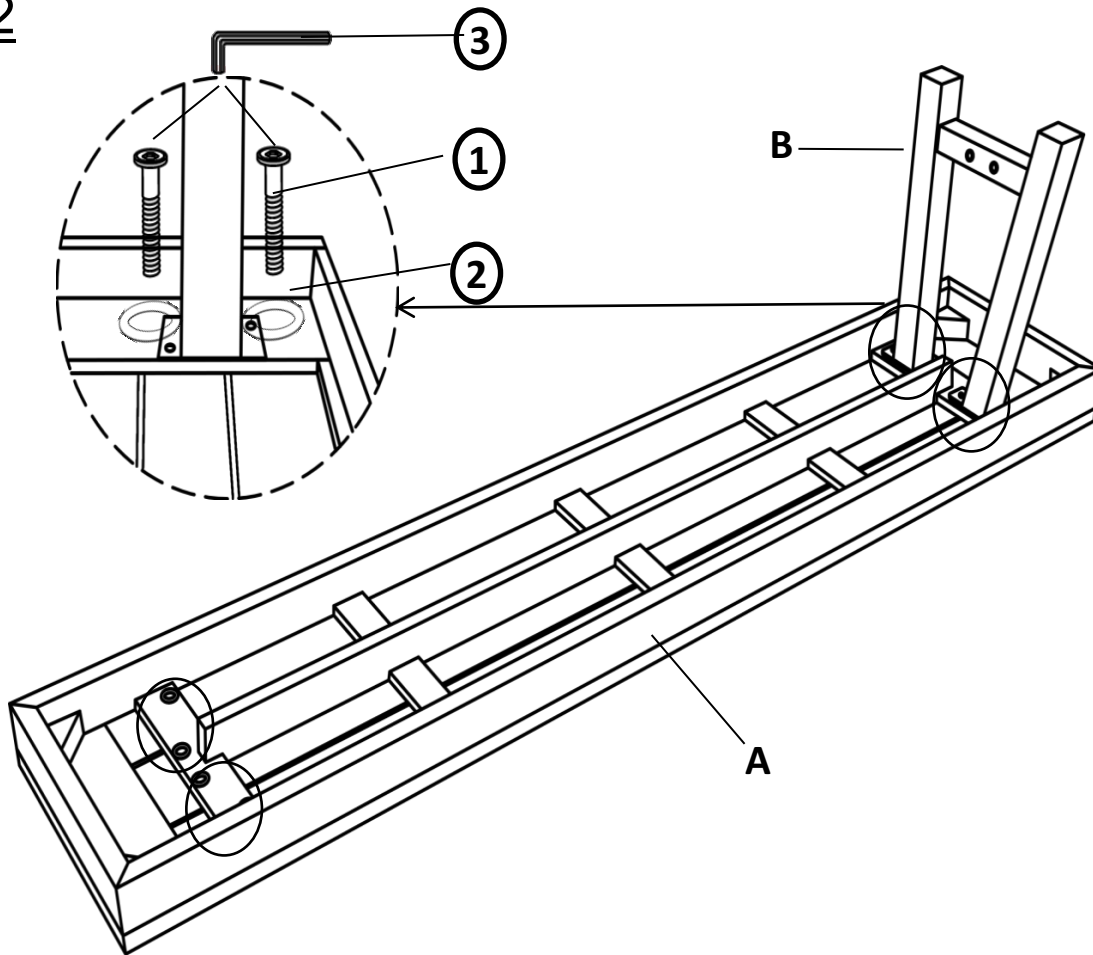
This Bench has multiple parts and may require up to 15 minutes to assemble. To give you an overview of the Bench parts, the above picture is to help you put the various parts into perspective. Please read through the instructions below to familiarise yourself with the parts and steps before assembly.

## Step 1



Unpack and place all parts on a clean, non-marring surface.

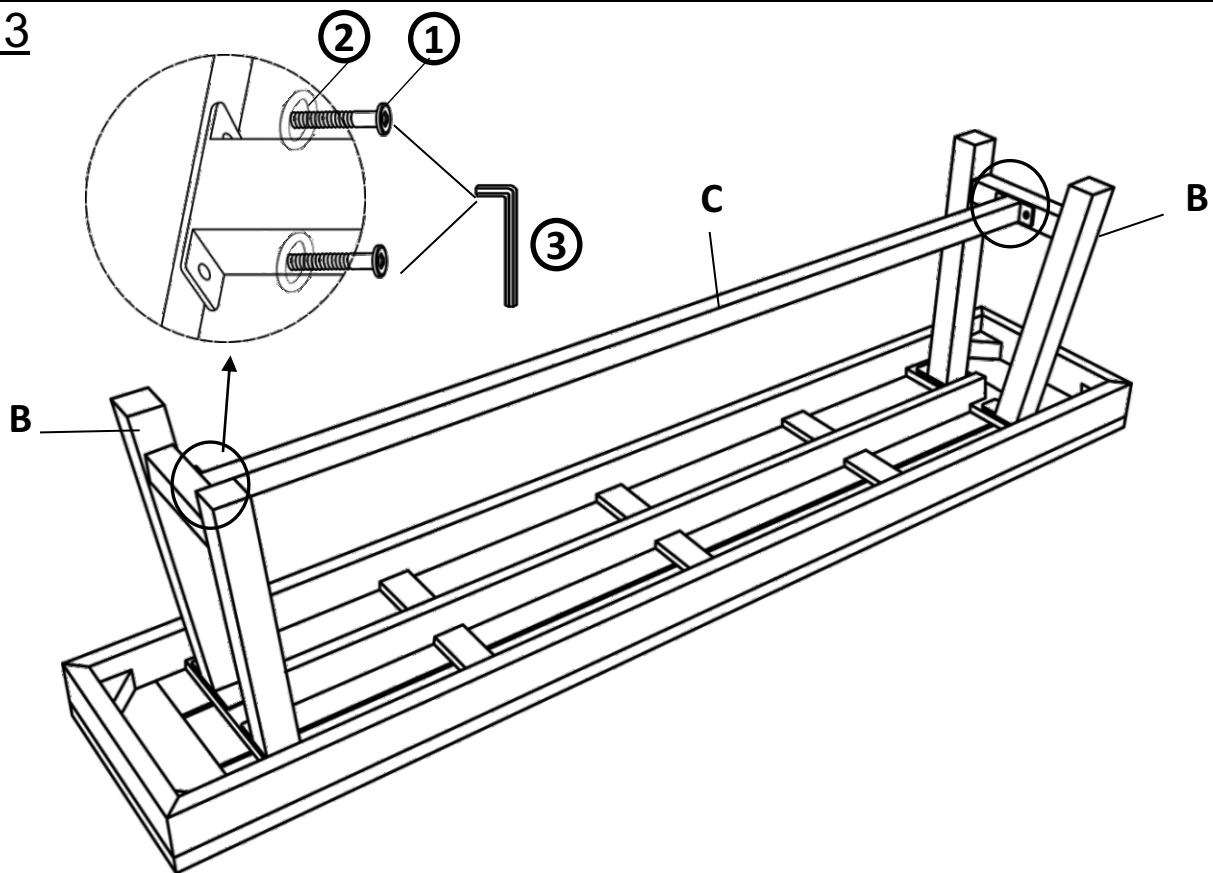
## Step 2



Place the Seat Panel(A) facedown onto a clean, non-marring surface.  
Attach Iron Legs(B) to Seat Panel(A) using Bolts(①) and Washers(②) with Allen Wrench(③).

**Note: The mounting positions on the Legs should face inside.  
Do not fully tighten the Bolts.**

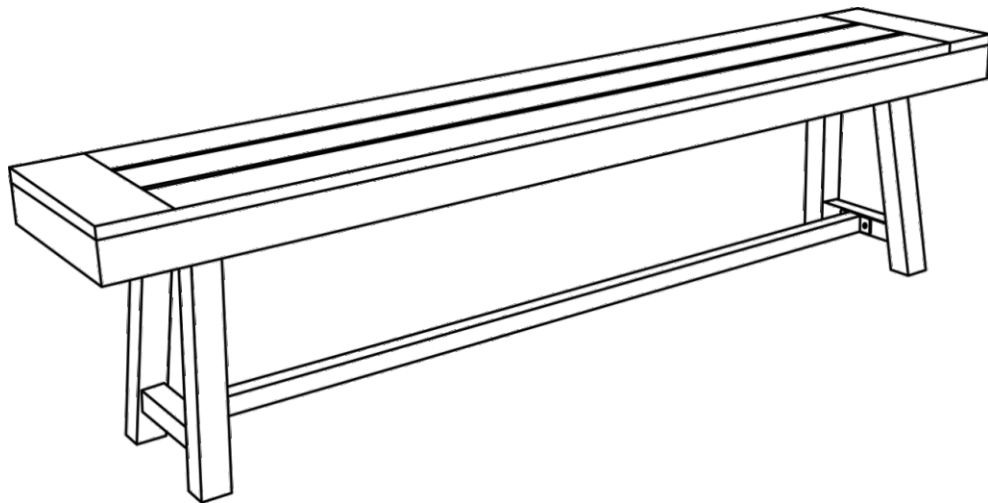
### Step 3



Attach Support Bar(C) to Iron Legs(B) using Bolts(①), and Washers(②) with Allen Wrench(③) as pictured above.

**Do not fully tighten the Bolts.**

### Step 4



Stand the Bench right side up.

Place the Bench on a LEVEL surface.

Inspect it and make sure all parts are adequately connected.

Gently and gracefully, sit onto the Bench.

This pressure will help the Legs and Bench reach full alignment status.

Check for wobbles on a LEVEL surface.

If no wobbles are found proceed to tighten the Bolts in a sequential manner, until evenly secured.











**When tightening the Bolts tighten sequentially.**

**Do not tighten any Bolts fully and then move on towards the next one.**

Your Bench is ready for use.

**This Bench can only be used on a flat, level surface.**

## Care & Maintenance

- ⊘  ● Prolonged exposure to rain may cause rusting which can stain floors.
  - ⊘  ● Do not put hot items directly on furniture surface.
  - ⊘  ● Do not clean furniture with harsh cleansers or polish.
  - ✓  ● To obtain the longest lifespan of your outdoor products, minimizing exposure to direct sunlight is recommended.
  - ⊘  ● Children should not climb or jump on the furniture.
  - ⊘  ● Do not write on furniture without a padded barrier to protect the surface.
  - ✓  ● To obtain the longest lifespan of your outdoor products, avoid extended and lengthy exposure to rain, snow, and direct sunshine. Whenever possible cover the product and /or place under patio or awnings.
  - ⊘  ● Not for commercial use. For residential use only.
  - ⊘  ● Stains may be removed with mild soap solution and damp cloth.
- 
- ✓  ● Dust and pick-up spills using a clean, non-colored, lint-free cloth.