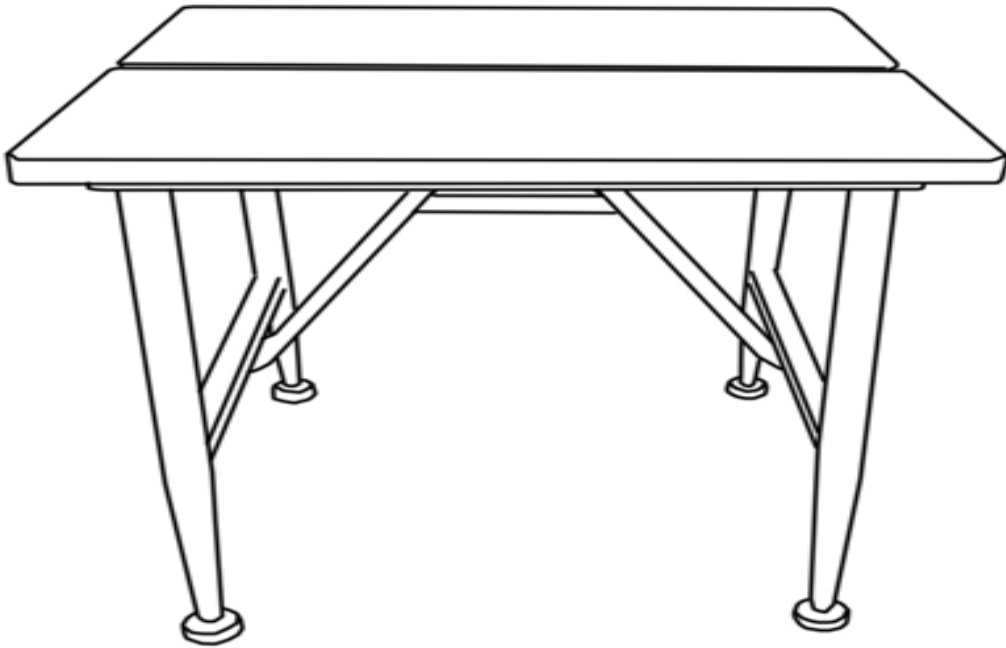


Assembly Instructions

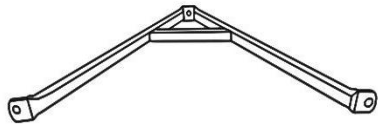
Caution : You must read this before you proceed

Coffee Table

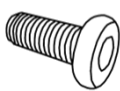

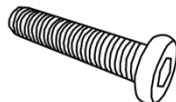


Parts List

Label	Picture	Description	QTY
A		Table Top	1
B		Leg	2

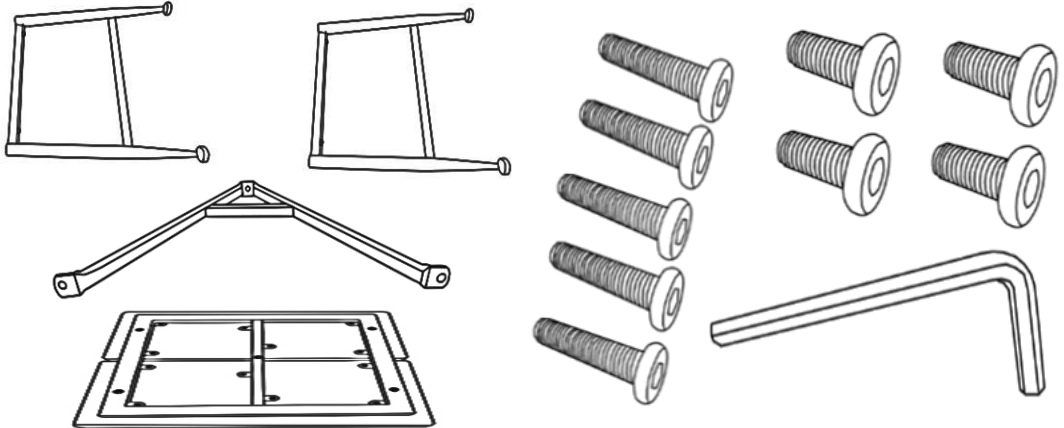
C		"V" Shape Support	1
---	--	-------------------	---

Hardware

Label	Picture	Description	QTY
①		Bolt(M6*15MM)	4
②		Allen Key	1
③		Bolt(M6*35MM)	5

Assembly Preparation

Before Beginning Assembly:




- Read instructions, cover to cover-



- Have 2 adults on hand for assembly-



- Do not assemble on flooring or carpet-



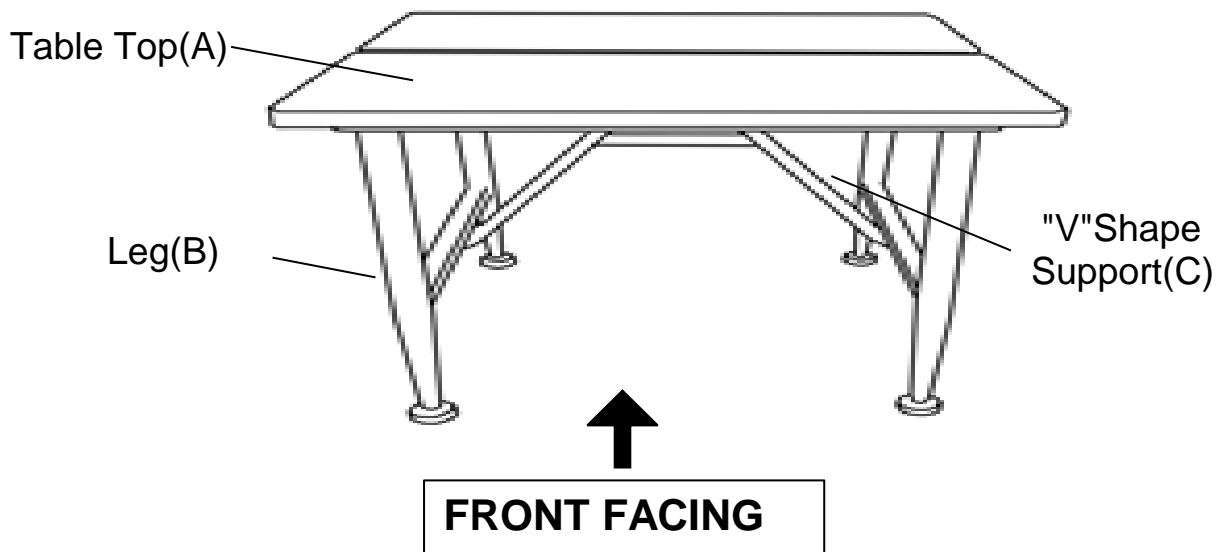
- Assemble on a clean non-marring surface (packing foam)-



- Save all packaging until finished-

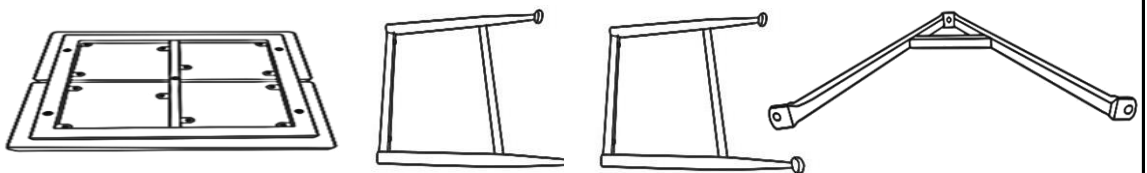
Assembly Steps

Overview



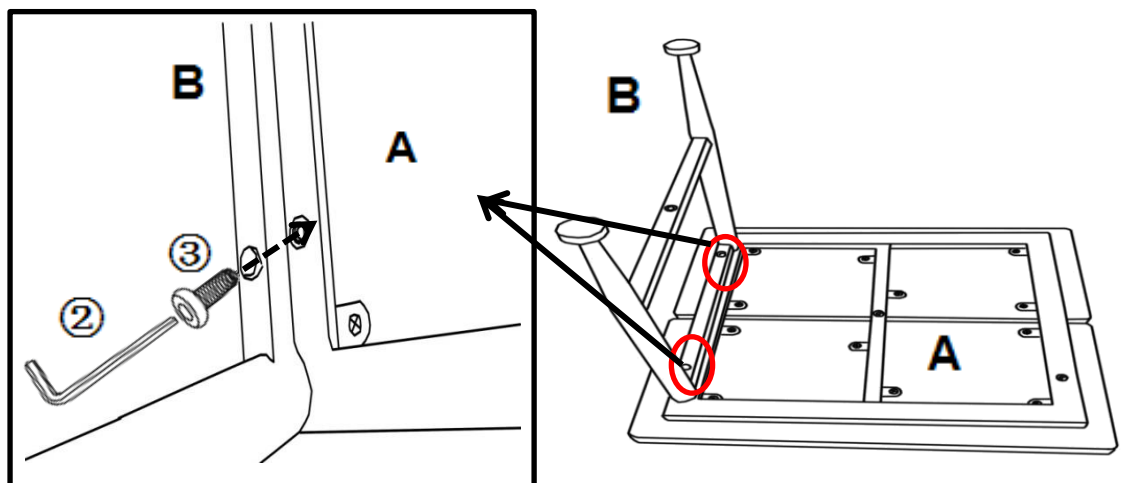
This Coffee Table has multiple parts and may require up to some 30 minutes to assemble. To give you an overview of the Coffee Table parts, the above picture is to help you put the various parts into perspective. Please read through the instructions herebelow to familiarise the parts and steps before assembly.

Step 1



Unpack and place all parts on a clean soft surface.

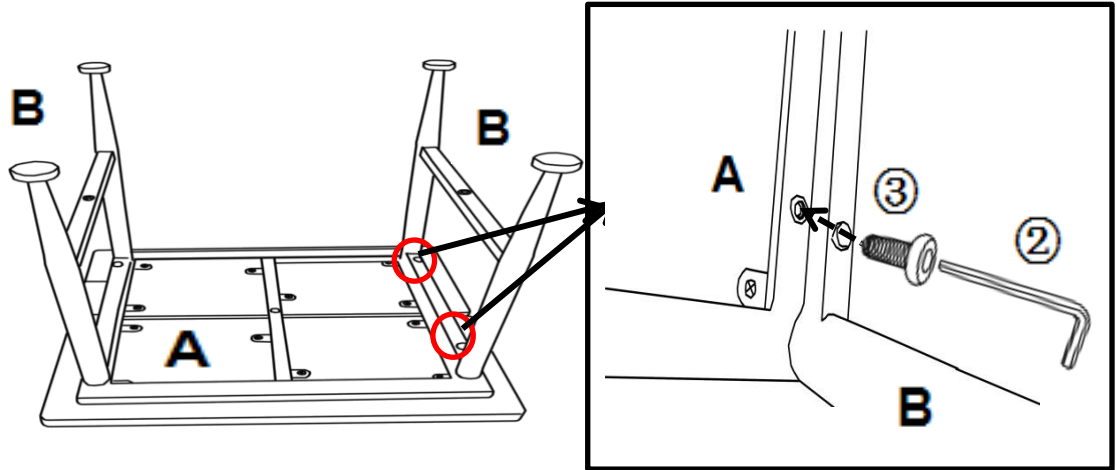
Step 2



Place the Table Top(A) facedown onto a clean, non-marring surface. Align the mounting positions on the Table Top(A) and the Leg (B). Attach Leg(B) to Table Top(A) using Bolts (③) with Allen Key(②) as shown.

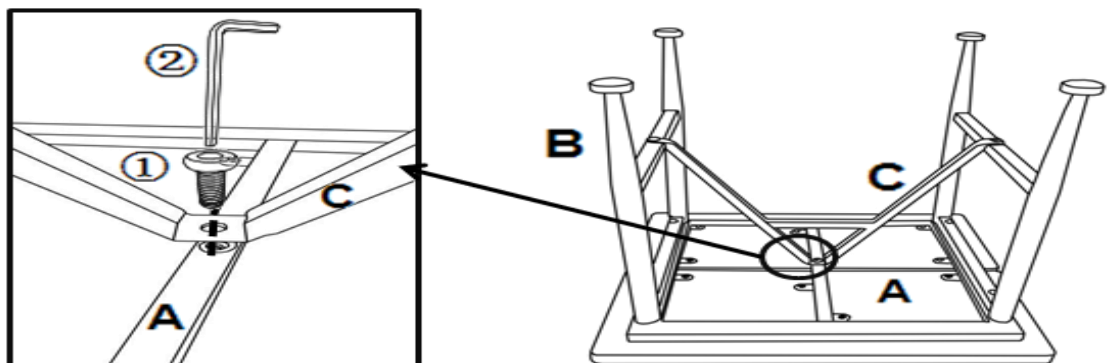
Loosely tighten the Bolts.

Step 3



Repeat this process with the remaining Leg. Loosely tighten the Bolts.

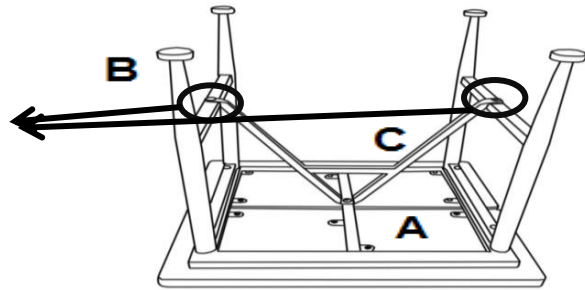
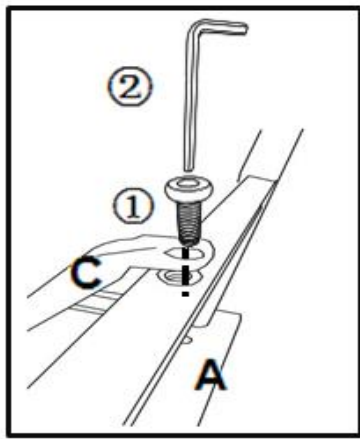
Step 4



Attach the "V" Shape support(C) into the Table Top(A) using Bolts (①) with Allen Key(②) as shown.

Loosely tighten the Bolts.

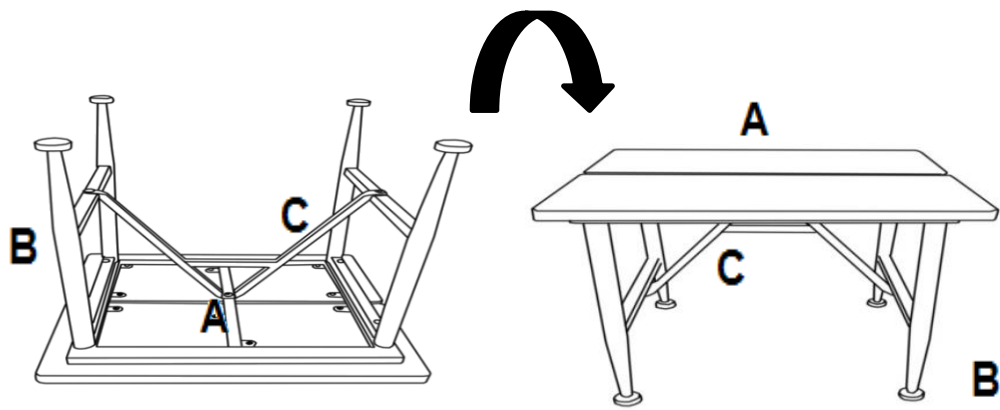
Step5



Attach the "V" Shape support(C) into the Legs(B) using Bolts (①) with Allen Key(②) as shown.

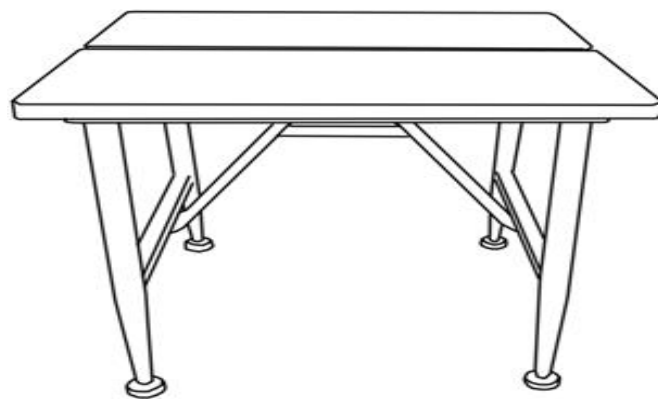
Loosely tighten the Bolts.

Step6



Thereafter, Tighten all nuts with Allen Key(②) and turn the Coffee Table right side up.















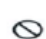



Step7



Your Table is now ready to for use.

Caution: This Table can only be used on a flat, level surface.

Care & Maintenance

-   ● Do not put hot items directly on furniture surface
 -   ● Do not clean furniture with harsh cleansers or polish.
 -   ● To obtain the longest lifespan of your outdoor products, minimizing exposure to direct sunlight is recommended.
 -   ● Children should not climb or jump on the furniture.
 -   ● Do not write on furniture without a padded barrier to protect the surface.
 -   ● To obtain the longest lifespan of your outdoor products, avoid extended and lengthy exposure to rain, snow, and direct sunshine. Whenever possible cover the product and /or place under patio or awnings.
 -   ● Not for commercial use. For residential use only .
 -   ● Stains may be removed with mild soap solution and damp cloth.
-
-   ● Dust and pick-up spills using a clean, non-colored, lint-free cloth .