

WARNING: Risk of Shatter Associated with Glass Furniture

Please note that in rare instances, glass furniture that is damaged by chips or scratches may break, seemingly of its own accord. Damage to the glass (not always visible) can get worse over time until it reaches a critical point when it may shatter. In the event of damage, this product is designed to shatter into lots of small granular pieces rather than large shards. This is a safety feature to reduce the risk of injury.

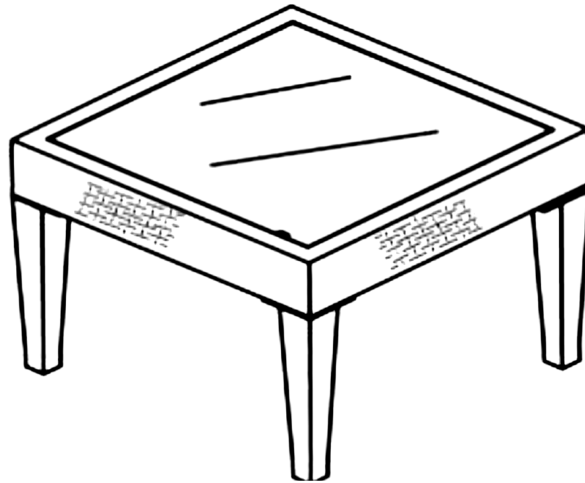
To reduce the risk of damage, we recommend the following:

- During assembly do not lay the glass directly onto hard or rough surfaces. Lay the glass on a blanket or cardboard.
- When lifting or moving the product, ask for someone to lend a hand. Trying to move a product on your own can lead to accidents.
- Do not use the furniture if any parts are missing or broken.
- Do not place very hot or very cold items directly on the glass surface; we recommend using a trivet. Extreme temperature differences over small areas can cause damage, which could in turn lead to shattering.
- Do not sit or stand on the glass surface.
- Do not strike the glass with hard or pointed items, or use the glass as a chopping surface.
- Do not drag rough or heavy objects over the top of the glass.

Assembly Instructions

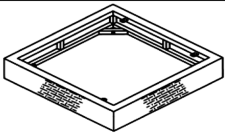
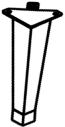
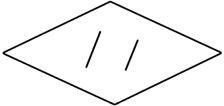
Caution: You must read this before you proceed.

Table



CAUTION : This Table is NOT a TOY.
Keep your child / children at bay during the assembly process.

Parts List

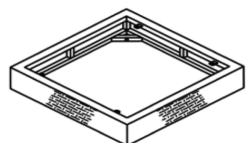
Label	Picture	Description	QTY
A		Table Top	1
B		Leg	4
C		Glass	1

Hardware

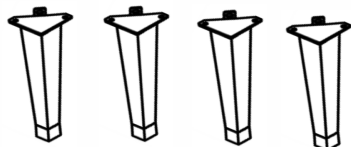
Label	Picture	Description	QTY
①		Allen Wrench	1
②		Washer	13
③		Bolt (M6*15mm)	13

Assembly Preparation

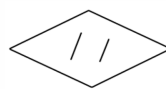
Before Beginning Assembly:



A



B



C



①



x13

②



x13

③



- Read instructions, cover to cover-



- Have 2 adults on hand for assembly-



- Do not assemble on flooring or carpet-

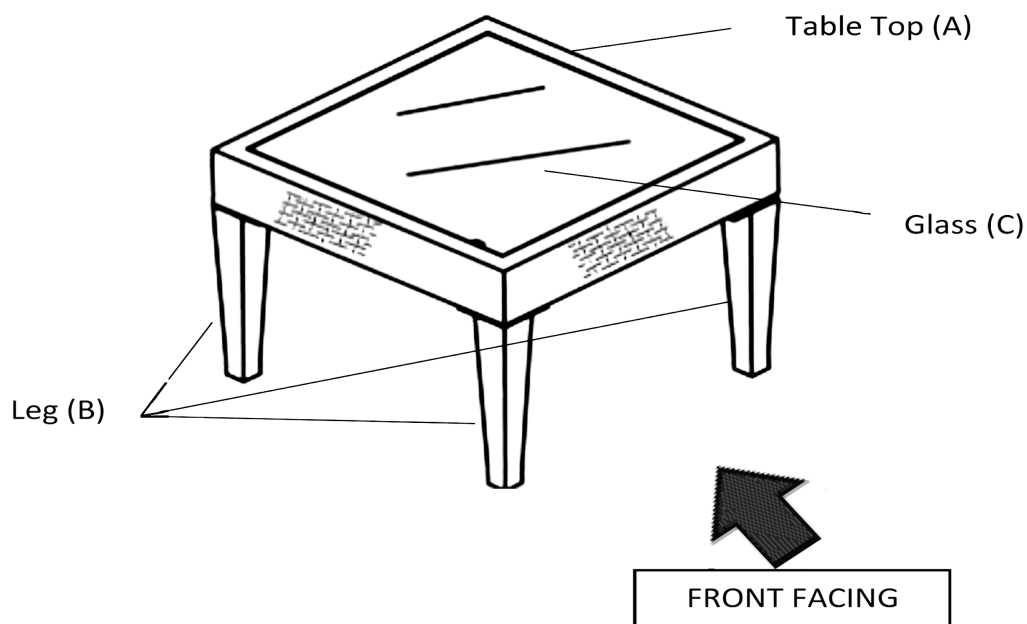


- Assemble on a clean non-marring surface (packing foam)-



- Save all packaging until finished-

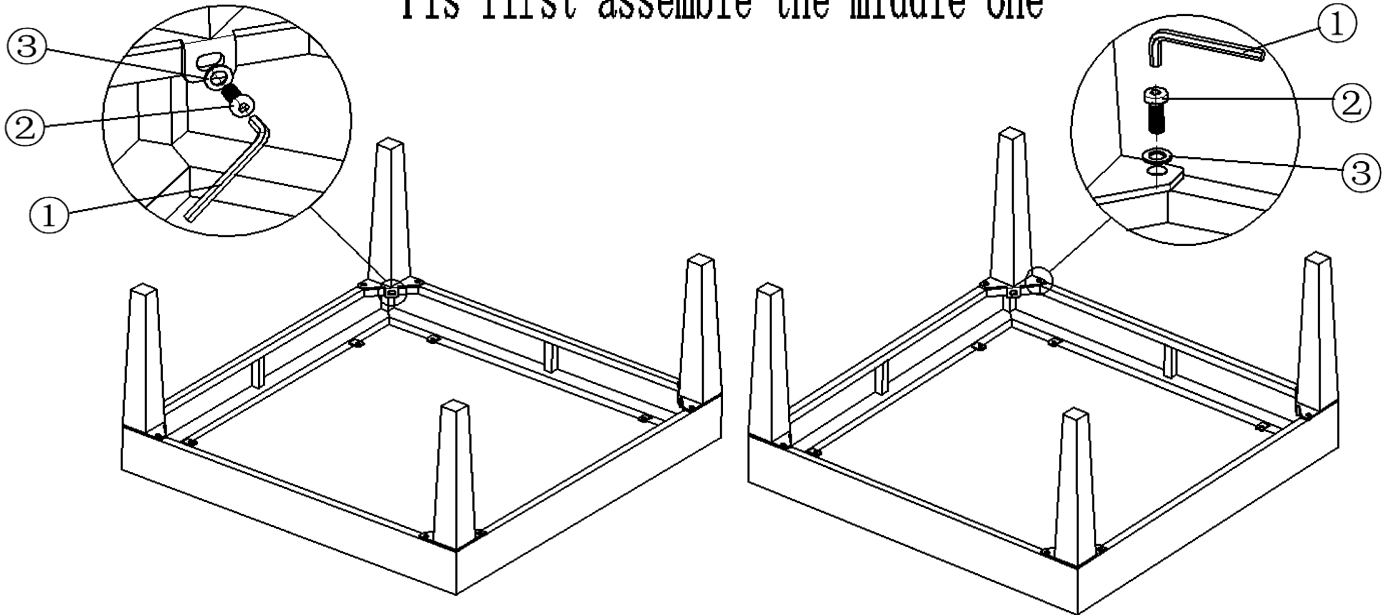
Assembly Steps



This Table has multiple parts and may require up to 30 minutes to assemble. To give you an overview of the Table parts, the above picture is to help you put the various parts into perspective. Please read through the instructions below to familiarise yourself with the parts and steps before assembly.

Step 1

Pls first assemble the middle one



Open the carton and place all parts onto a clean, non-marring surface.

It is recommended that you have a partner to assist with the assembly process.

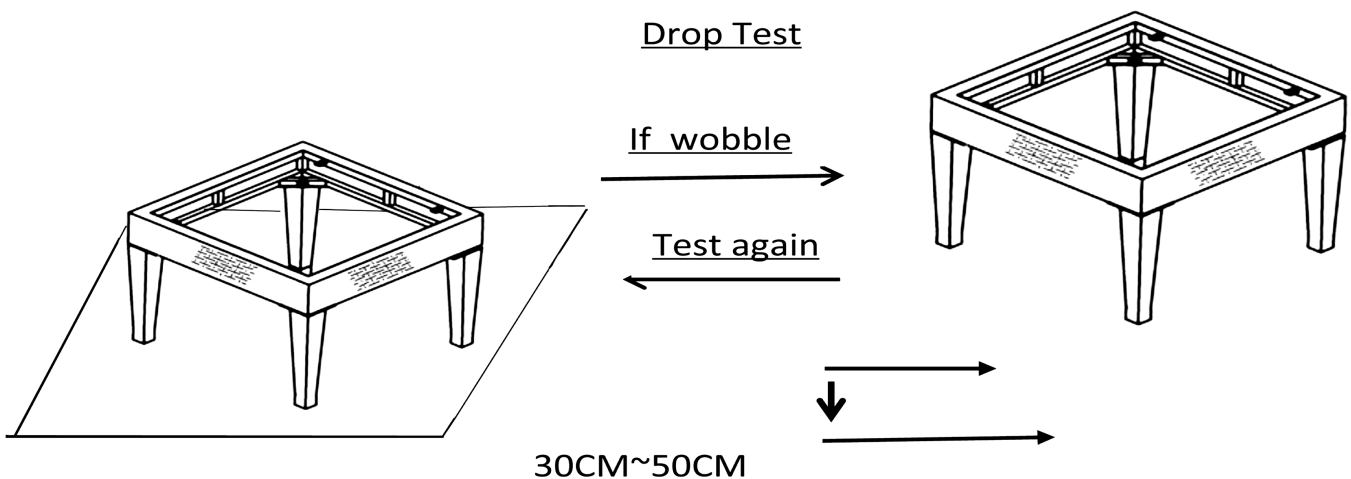
Turn the Table Top(A) face down on a clean, non-marring surface.

Attach Legs(B) to Table Top(A) using Bolts(③) and Washer(②) with Allen Wrench(①).

Repeat the same process to with the remaining Legs.

Only loosely tighten the Bolts.

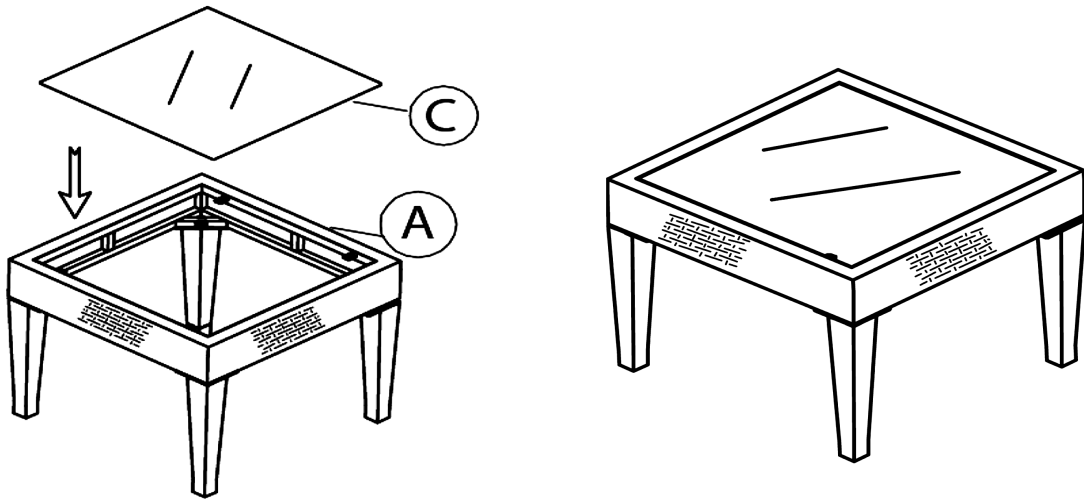
Step 2



Turn this Table right way up. Place the table on a LEVEL SURFACE to check for wobbles. If it wobbles, lift the table to some 20cm to 30cm height from the ground. Keep your feet and toes well away from the drop zone. Drop the table freely and vertically with all four legs, hitting the ground, all at the same time. This Drop Test will help to ensure that all the Bolts and gaps all reach full alignment status. Test again for evenness on a LEVEL SURFACE. If no wobbles found, with assistance from 2 to 3 adult partners, slowly and steadily, turn the table facedown. Then, proceed to tighten all Bolts in a sequential manner.

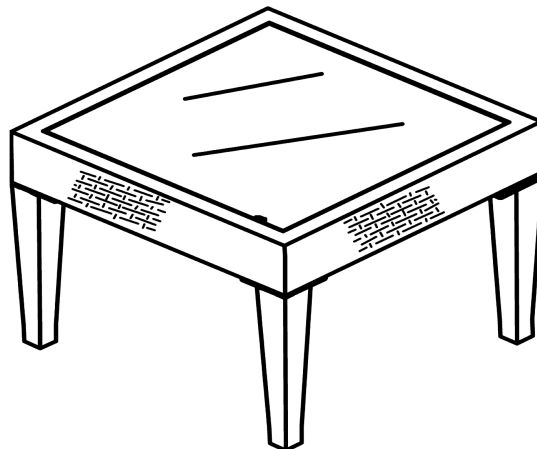
When tightening the Bolts, tighten sequentially. DO NOT tighten any Bolt fully and then towards the next one. This could cause the frame to warp. If there are still wobbles, loosen the Bolts and execute the same drop test. If the Table is not stable, it could lead to damage to the product.

Step 3














With the assistance of your adult partners, Carefully place the Glass(C) on the Table(A). Do not place hands or fingers between the Glass and Table.

Step 4



Your Table is ready for use.
This Table can only be used on a flat, level surface.

Care & Maintenance

- ⊘  ● Prolonged exposure to rain may cause rusting which can stain floors.
 - ⊘  ● Do not put hot items directly on furniture surface.
 - ⊘  ● Do not clean furniture with harsh cleansers or polish.
 - ✓  ● To obtain the longest lifespan of your outdoor products, minimizing exposure to direct sunlight is recommended.
 - ⊘  ● Children should not climb or jump on the furniture.
 - ⊘  ● Do not write on furniture without a padded barrier to protect the surface.
 - ✓  ● To obtain the longest lifespan of your outdoor products, avoid extended and lengthy exposure to rain, snow, and direct sunshine. Whenever possible cover the product and /or place under patio or awnings.
 - ⊘  ● Not for commercial use. For residential use only.
 - ⊘  ● Stains may be removed with mild soap solution and damp cloth.
 - ✓  ● Keep away from sources of ignition.
-
- ✓  ● Dust and pick-up spills using a clean, non-colored, lint-free cloth.