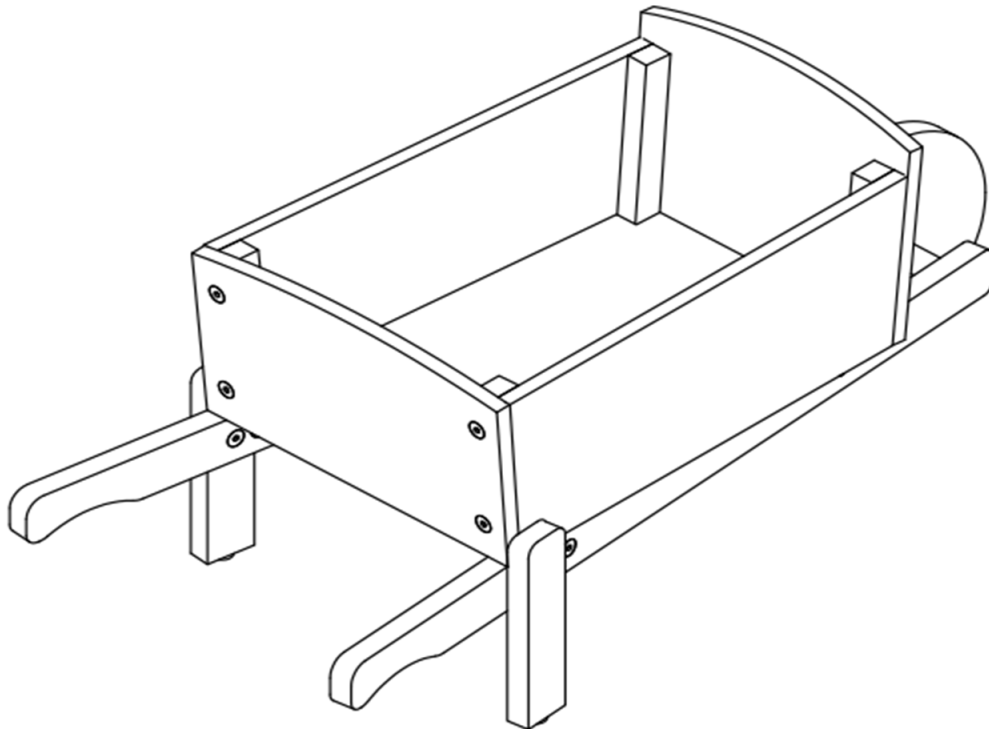


Assembly Instructions

Caution: You must read this before you proceed

Please look in the Leg for Hardware Packs

PLANTER

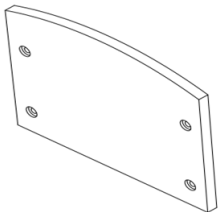
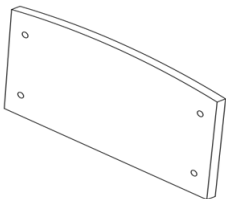
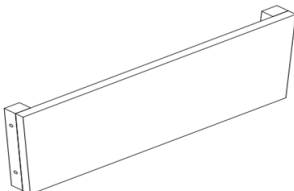
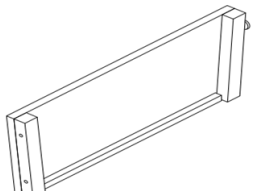
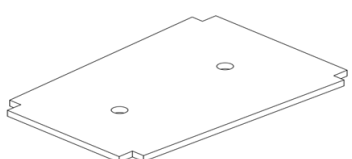
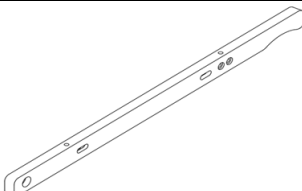
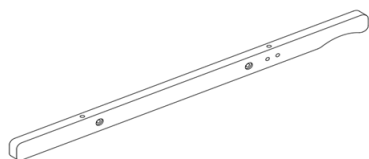


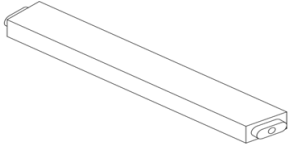
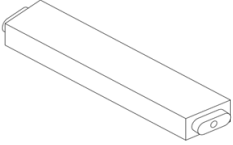
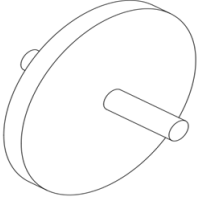


Caution: This Planter is NOT a TOY.

Keep your child/children at bay during the assembly process.




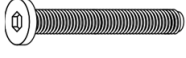

Whenever moving/lifting the Planter and to prevent damage to the Planter, two adults are required to execute these actions.

Part List

Label	Picture	Description	QTY
A		Front Panel	1
B		Back Panel	1
C		Right Panel	1
D		Left Panel	1
E		Bottom Panel	1
F		Left Leg Support Bar	1
G		Right Leg Support Bar	1

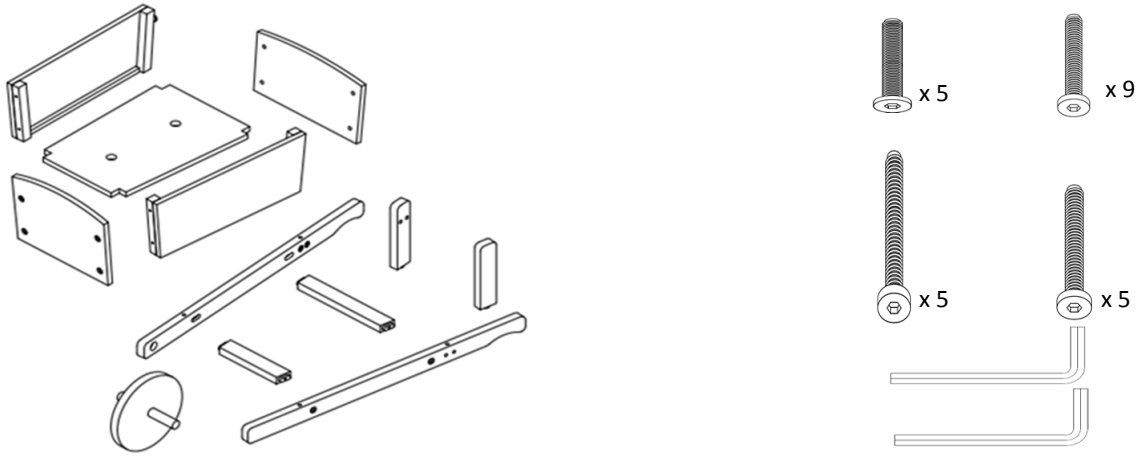
H		First Leg Support Bar	1
I		Second Leg Support Bar	1
J		Wheel	1
K		Left Leg	1
L		Right Leg	1

Hardware

Label	Picture	Description	QTY
①		Screw (M6x25mm)	9
②		Screw (M6x45mm)	5
③		Screw (M6x55mm)	5
④		Bolt (M6x25mm)	5
⑤		Allen Key	1

Assembly Preparation

Before Beginning Assembly:



- Read instructions, cover to cover-



- Have 2 adults on hand for assembly-



- Do not assemble on flooring or carpet-

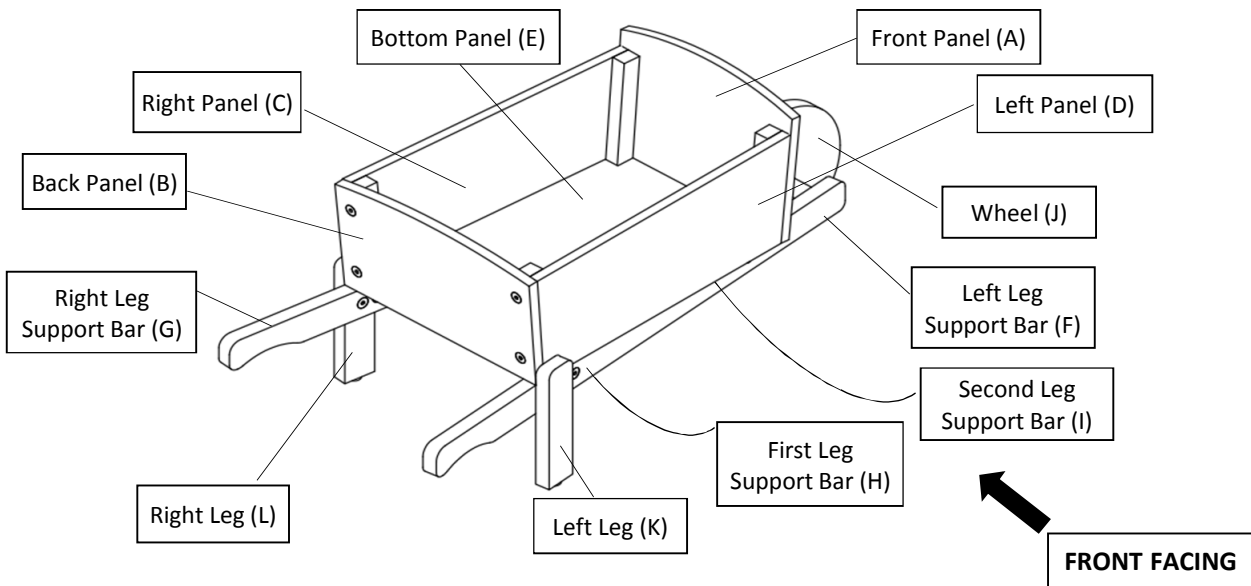


- Assemble on a clean non-marring surface (packing foam)-



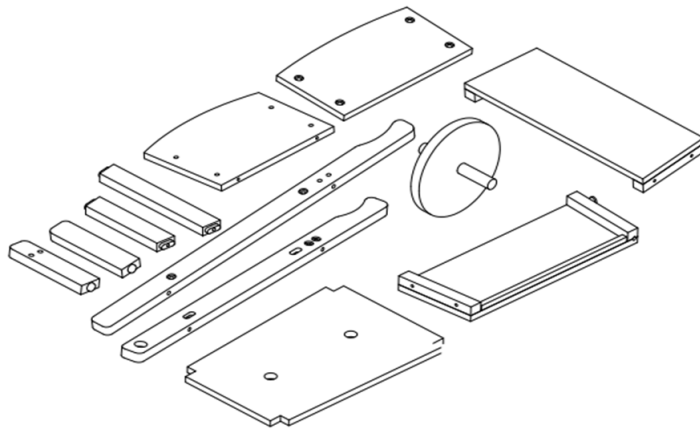
- Save all packaging until finished-

Assembly Steps



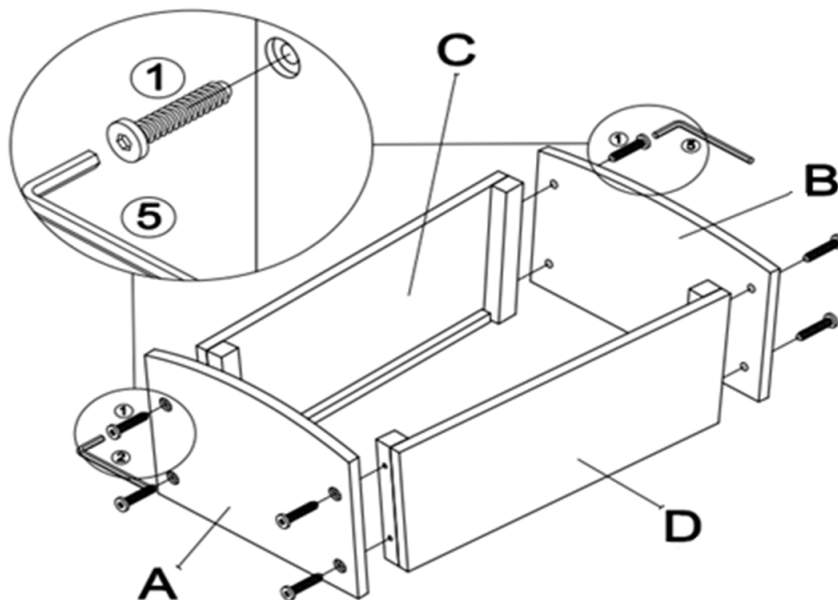
This Planter has multiple parts and may require up to 20 minutes to assemble. To give you an overview of the Planter parts, the above picture is to help you put the various parts into perspective. Please read through the instructions below to familiarise yourself with the parts and steps before assembly.

Step 1



Unpack and place all parts on a clean, non-marring surface.

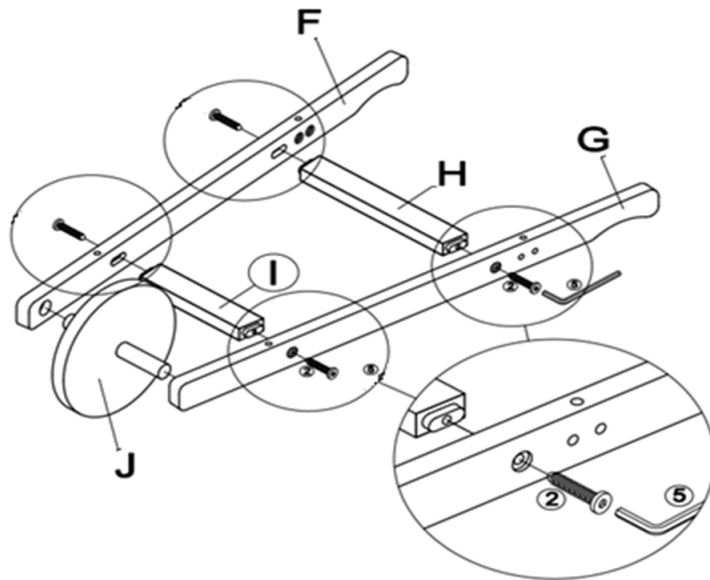
Step 2



With assistance from your adult partner, attach the Front Panel(A) and the Back Panel(B) to the Left Panel(C) and the Right Panel(D) using 8 Screws(①) and the Allen Key(⑤) as shown in the above picture.

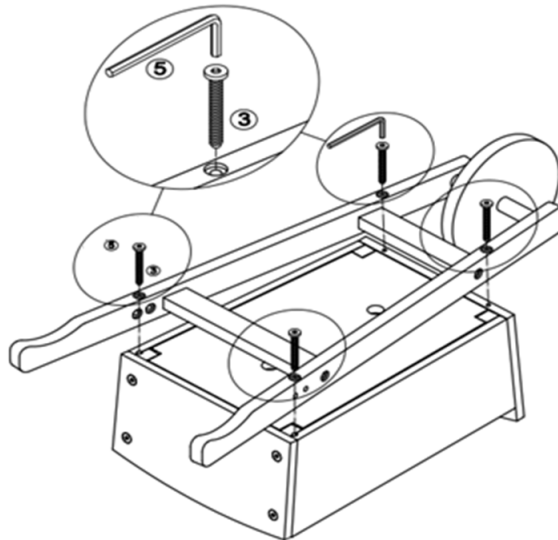
Do not fully tighten the Screws.

Step 3



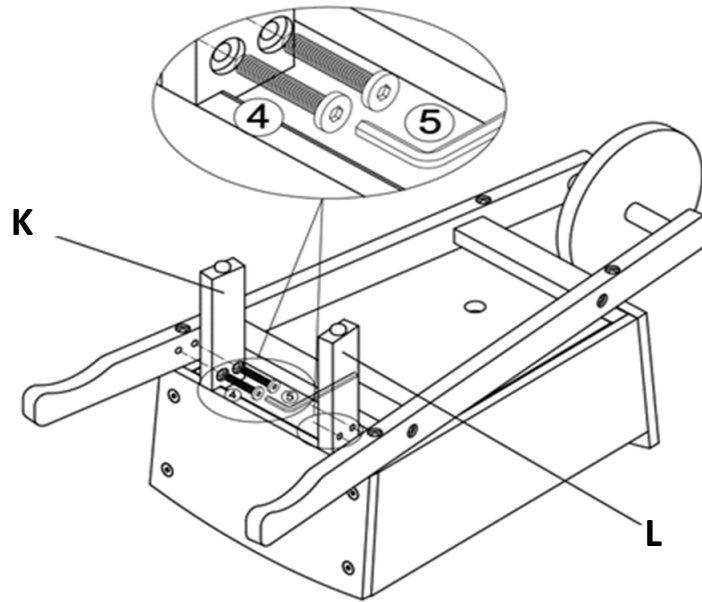
- 1) With assistance from your adult partner, attach the Left Leg Support Bar(F) and the Right Leg Support Bar(G) to the Wheel(J) as shown in above picture.
 - 2) Secure the Left Leg Support Bar(F) and the Right Leg Support Bar(G) to the First Leg Support Bar(H) and Second Leg Support Bar(I) using Screw(2) and Allen Key(5) as shown in the above picture.
- Do not fully tighten the Screws.**

Step 4



- With assistance from your adult partner, place the assembled part in Step 2 facing up on a clean, non-marring surface.
- Attach the assembled part in Step 3 to the assembled part in Step 2 using Screws(3) and the Allen Key(5) as shown in the above picture.
- Do not fully tighten the Screws.**

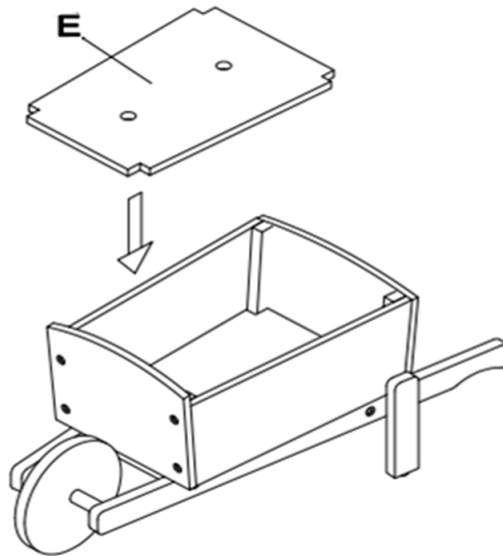
Step 5



With assistance from your adult partner, place the Left Leg(K) and the Right Leg(L) onto the assembled part in Step 4 as shown in the above picture. Loosely affix by using the Bolts(④) and the Allen Key(⑤) as shown in the above picture.

Do not fully tighten the Bolts.

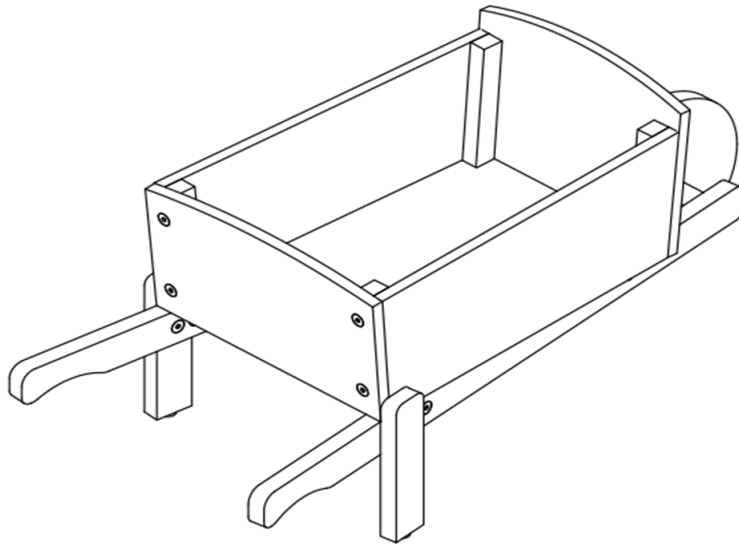
Step 6



With assistance from your adult partner, turn the assembled part in Step 5 right side up.

Then place the Bottom Panel(E) into the base of the Planter in the direction of the arrow as shown in the above picture.

Step 7












In a sequential manner, gradually tighten all Screws, Bolts at all joints until evenly secured.

Inspect the Planter and make sure all parts are adequately connected.

Your Planter is ready for use.

Care & Maintenance

-  Do not put hot items directly on furniture surface
 -  Do not clean furniture with harsh cleansers or polish.
 -  To obtain the longest lifespan of your outdoor products, minimizing exposure to direct sunlight is recommended.
 -  Children should not climb or jump on the furniture.
 -  Do not write on furniture without a padded barrier to protect the surface.
 -  To obtain the longest lifespan of your outdoor products, avoid extended and lengthy exposure to rain, snow, and direct sunshine. Whenever possible cover the product and /or place under patio or awnings.
 -  Not for commercial use. For residential use only .
 -  Stains may be removed with mild soap solution and damp cloth.
-
-  Dust and pick-up spills using a clean, non-colored, lint-free cloth .