

# Assembly Instructions

**Caution : You must read this before you proceed**

**Please look in velcro pouch for hardware packs and legs.**

## Dining Chair



### Parts List

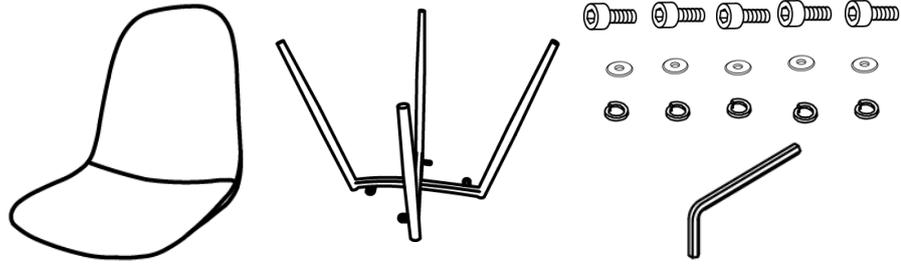
Label	Picture	Description	QTY
A		Chair Body	1
B		Leg Frame	1

### Hardware

Label	Picture	Description	QTY
①		Allen Key	1
②		Bolt (M6*16mm)	5
③		Washer	5
④		Spring Washer	5

# Assembly Preparation

Before Beginning Assembly:



- Read instructions, cover to cover-



- Have 2 adults on hand for assembly-



- Do not assemble on flooring or carpet-



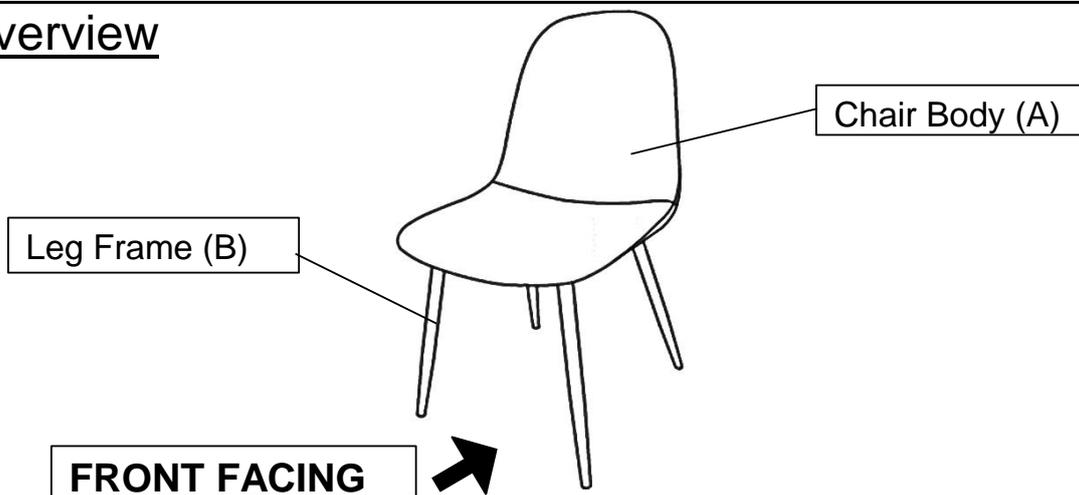
- Assemble on a clean non-marring surface (packing foam)-



- Save all packaging until finished-

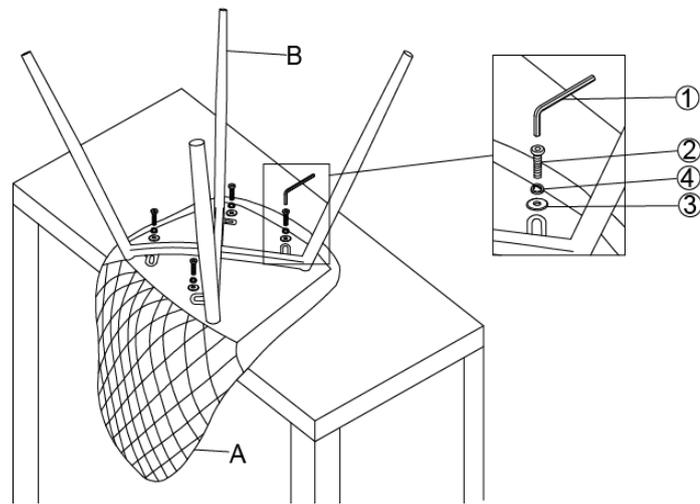
# Assembly Steps

## Overview



This Dining Chair has multiple parts and may require up to 30 minutes to assemble. To give you an overview of the Dining Chair parts, the above picture is to help you put the various parts into perspective. Please read through the instructions below to familiarise yourself with the parts and steps before assembly.

## Step 1



Place the Chair Seat(A) facedown on the edge of a clean Table Top.  
Attach Leg Frame(B) to Chair Seat(A) using Bolts(②), Washers(③), and Spring Washers(④) with Allen Key(①) as pictured above.  
**Do not fully tighten the Bolts.**

## Step 2



Stand the Chair up and place on flat, level surface.  
Carefully and gently sit onto the Chair.  
This will help properly align all parts at all joints and remove any gaps.  
Carefully get off the Chair and gently turn it over.  
Then proceed to tighten all Bolts at all joints.  
**When tightening the Bolts, tighten sequentially.**  
**Do not tighten any Bolt fully and then move on towards the next one, this could cause the frame to warp.**  
**If the Chair is not Stable it could lead to damage to the product.**  
Your Dining Chair is ready for use.  
**This Dining Chair can only be used on a flat, level surface.**

## Care & Maintenance



● Do not put hot items directly on furniture surface.



● Do not clean furniture with harsh cleansers or polish.



● Do not place furniture under direct sunlight.



● Do not place furniture near heating or cooling vents.



● Do not write on furniture without a padded barrier to protect the surface.



● Do not place furniture outside . For indoor use only .



● Not for commercial use. For residential use only .



● Stains may be removed with mild soap solution and damp cloth.



● Children should not climb or jump on the furniture.



● Dust and pick-up spills using a clean, non-colored, lint-free cloth