

Assembly Instructions


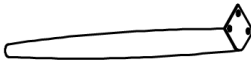
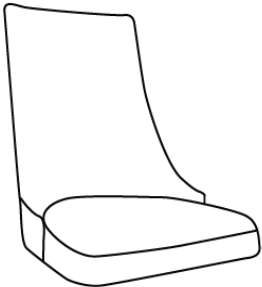
Caution : You must read this before you proceed

Please look in small carton for hardware packs and legs.





Dining Chair



Parts List

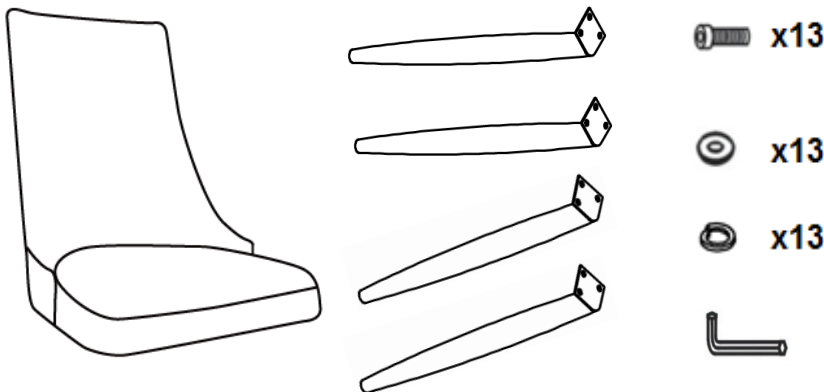
Label	Picture	Description	QTY
A		Hind Leg(With pre-installed levellers)	2
B		Front Leg(With pre-installed levellers)	2
C		Chair Body	1

Hardware

Label	Picture	Description	QTY
①		Allen Key	1
②		Bolt (M6*16mm)	13
③		Washer	13
④		Spring Washer	13

Assembly Preparation

Before Beginning Assembly:



The diagram illustrates the assembly preparation for a chair seat. On the left is a line drawing of a chair seat. To its right are four legs, each with a pre-drilled hole at the top. To the right of the legs are four hardware items: a bolt (labeled x13), a washer (labeled x13), a spring washer (labeled x13), and an Allen key (labeled x1).



- Read instructions, cover to cover-



- Have 2 adults on hand for assembly-



- Do not assemble on flooring or carpet-



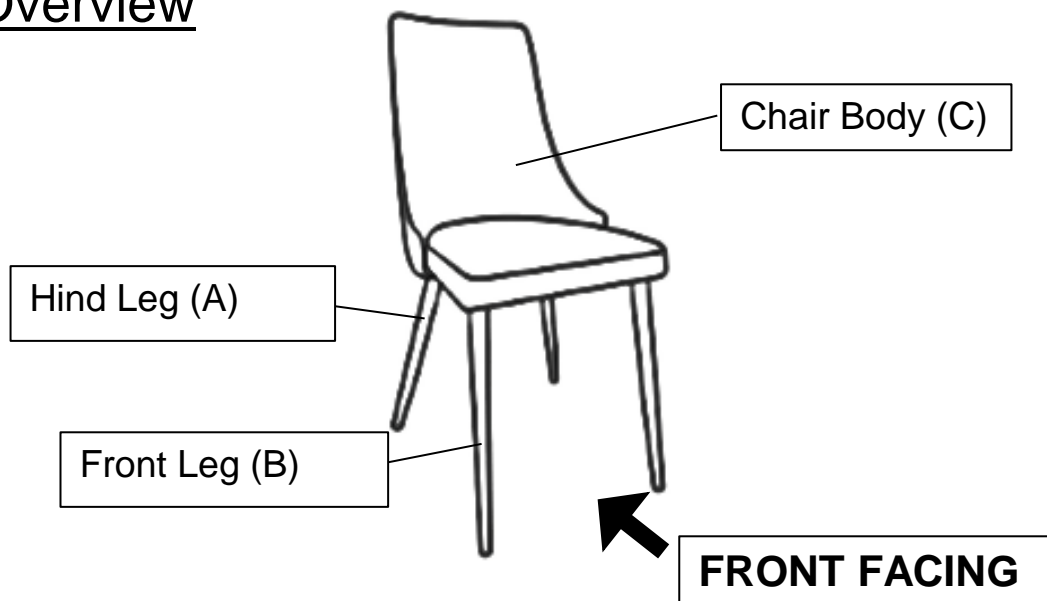
- Assemble on a clean non-marring surface (packing foam)-



- Save all packaging until finished-

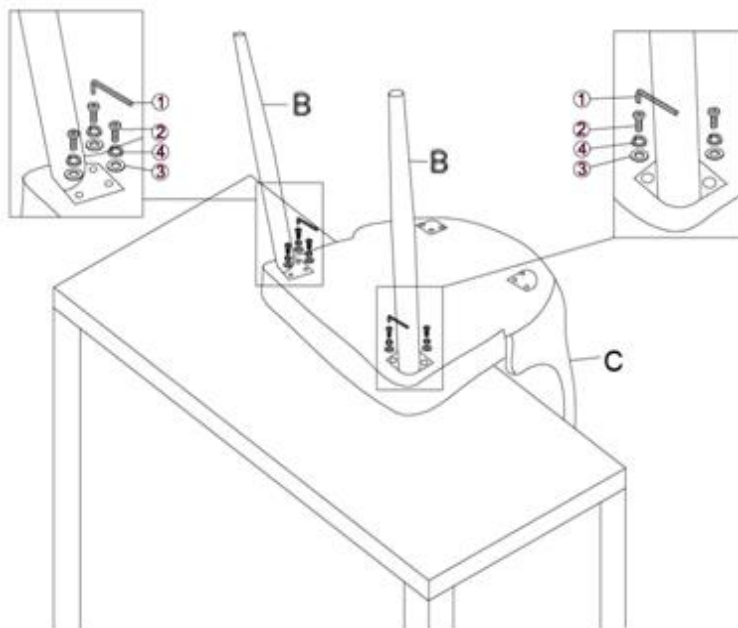
Assembly Steps

Overview



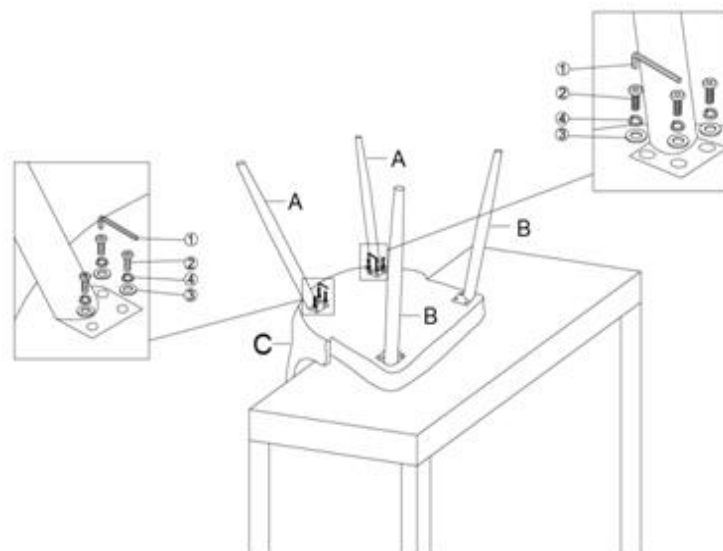
This Dining Chair has multiple parts and may require up to 30 minutes to assemble. To give you an overview of the Dining Chair parts, the above picture is to help you put the various parts into perspective. Please read through the instructions below to familiarise yourself with the parts and steps before assembly.

Step 1



Place the Chair Seat(C) upside down on the edge of a clean Table Top.
Attach Front Leg(B) to Chair Seat(C) using 3pcs each Bolts(②), Washers(③), and Spring Washers(④), with Allen Key(①) as pictured above.
Repeat this same process to attach the other Front Leg(B) to Chair Seat(C).
Do not fully tighten the Bolts.

Step 2

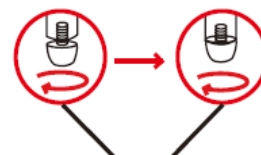


Attach Hind Leg(A) to Chair Seat(C) using Bolts(②), Washers(③), and Spring Washers(④), with Allen Key(①) as pictured above.

Repeat this same process to attach the another Hind Leg(A) to Chair Seat(C).

Do not fully tighten the Bolts.

Step 3



**Adjust Pre-installed Levellers
height to achieve balance**

Stand the Chair up and place on flat, level surface.

Carefully and gently sit onto the Chair.

This will help properly align all parts at all joints and remove any gaps.

Carefully get off the Chair and gently turn it over.

Then proceed to tighten all Bolts at all joints.

When tightening the Bolts, tighten sequentially.

Do not tighten any Bolt fully and then move on towards the next one, this could cause the frame to warp.

If the Chair is not Stable adjust the Pre-installed Levellers at the bottom of the legs until the chair is level.

Your Dining Chair is ready for use.

This Dining Chair can only be used on a flat, level surface.

Care & Maintenance



Do not put hot items directly on furniture surface.



Do not clean furniture with harsh cleansers or polish.



Do not place furniture under direct sunlight.



Do not place furniture near heating or cooling vents.



Do not write on furniture without a padded barrier to protect the surface.



Do not place furniture outside . For indoor use only .



Not for commercial use. For residential use only .



Stains may be removed with mild soap solution and damp cloth.



Children should not climb or jump on the furniture.



Dust and pick-up spills using a clean, non-colored, lint-free cloth