


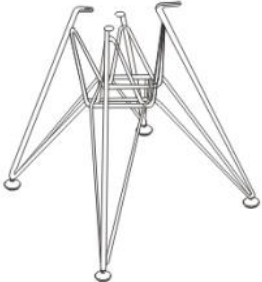
Assembly Instructions

Caution : You must read this before you proceed







DINING CHAIR



Parts List

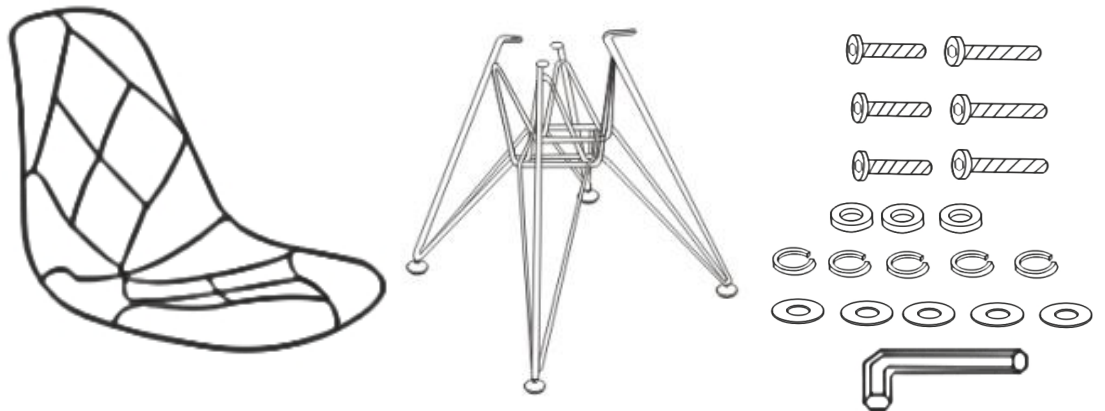
Label	Picture	Description	QTY
A		Chair Body	1
B		Leg Frame	1

Hardware

Label	Picture	Description	QTY
①		Bolt (M6x20mm)	3
②		Bolt (M6x16mm)	3
③		Flat washer(M6)	5
④		Spring washer(M6)	5
⑤		Aluminum Pad	3
⑥		Allen Wrench(M6)	1

Assembly Preparation

Before Beginning Assembly:



- Read instructions, cover to cover-



- Have 2 adults on hand for assembly-



- Do not assemble on flooring or carpet-



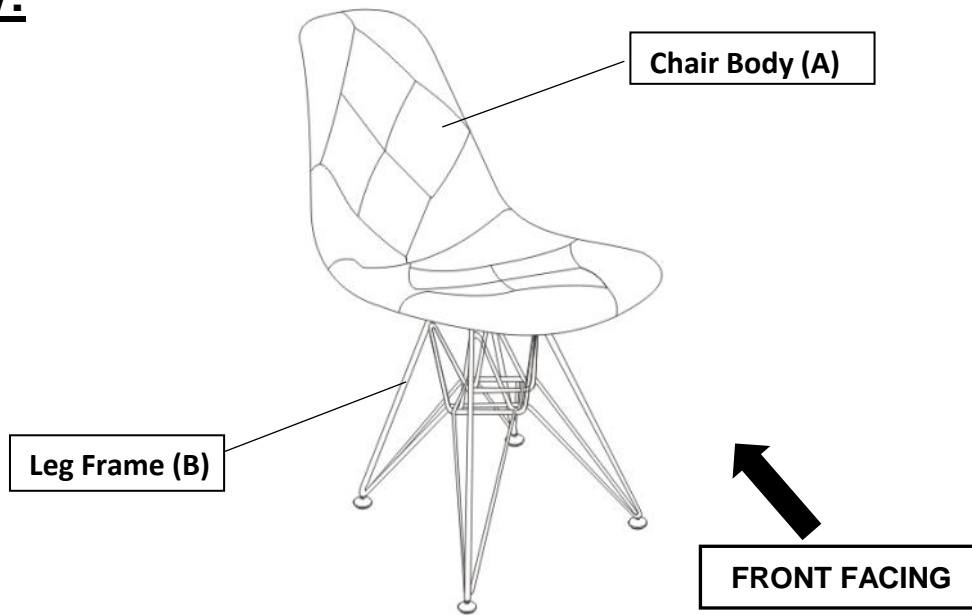
- Assemble on a clean non-marring surface (packing foam)-



- Save all packaging until finished-

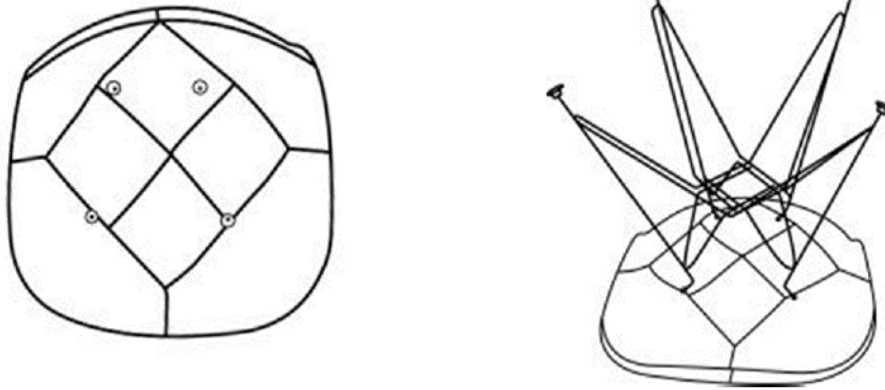
Assembly Steps

Overview:



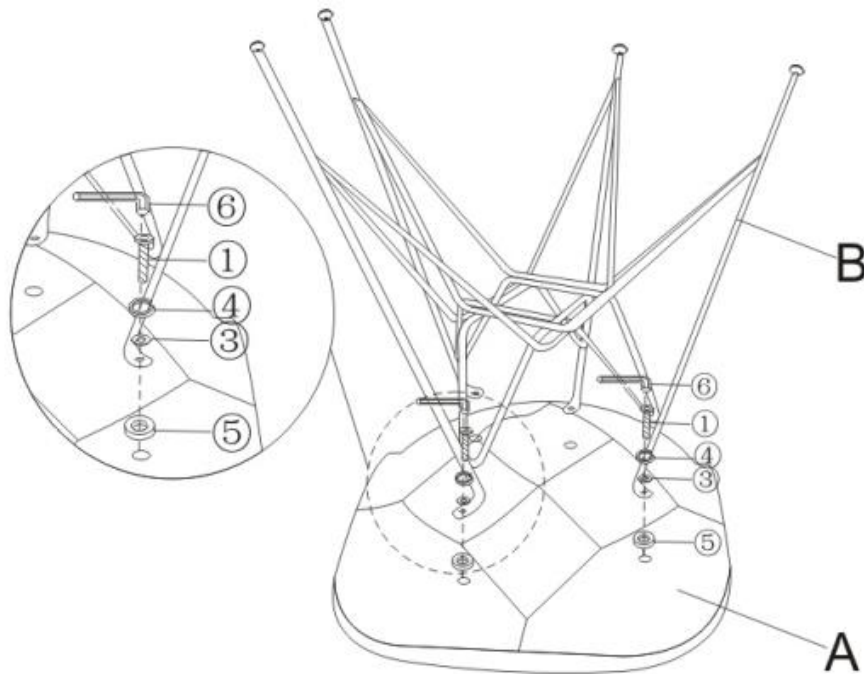
This Dining Chair has multiple parts and may require up to 30 minutes to assemble. To give you an overview of the Dining Chair parts, the above picture is to help you put the various parts into perspective. Please read through the instructions below to familiarise yourself with the parts and steps before assembly.

Step 1



Carefully place the Chair Body (B) upside down on a clean, non-marring table. With assistant from second adult, gently place the Leg Frame(B) onto the Chair Body(A) and align the four mounting positions of both, the Leg Frame(B) onto the Chair Body(A).

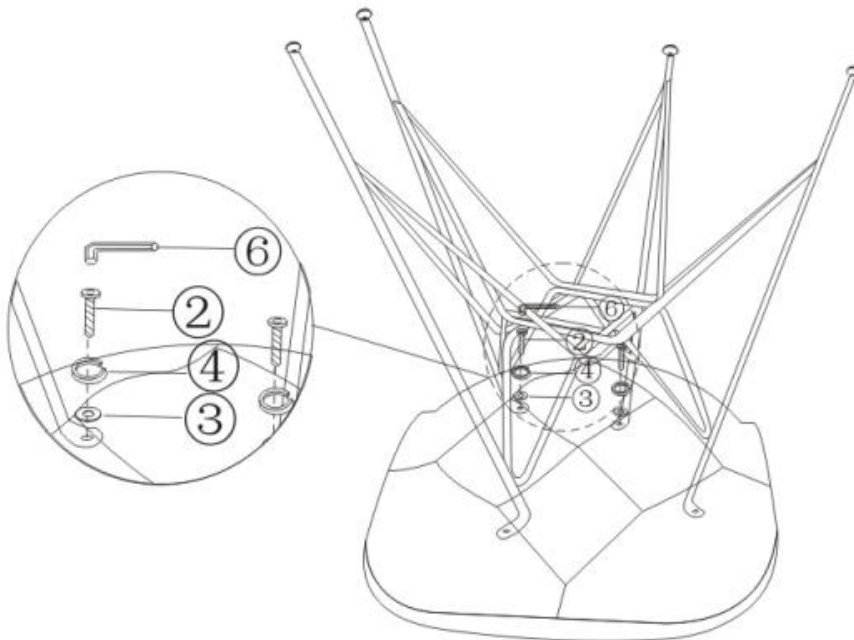
Step 2



Attach the front two mounting positions on Leg Frame(B) to the mounting position on Frame (A) using Bolt (①), Spring washer (④), Flat washer (③), Aluminum pad (⑤), then tight them by Allen Key (⑥).

Do not fully tighten the Bolts.

Step 2



Attach the back two mounting positions on Leg Frame(B) to the mounting position on Frame (A) using Bolt (②) and Spring washer (④), Flat washer (③), then tight them by Allen Key (⑥).

Do not fully tighten the Bolts.

Step 3



Stand the Chair up and place on flat, level surface.

Carefully and gently sit onto the Chair.

This will help properly align all parts at all joints and remove any gaps.

Carefully get off the Chair and gently turn it over.

Tighten all Bolts at all joints.

When tightening the Bolts, tighten sequentially.

Do not tighten any Bolt fully and then move on towards the next one, this could cause the frame to warp.

If the Chair is not Stable it could lead to damage to the product.

Your Dining Chair is ready for use.

This Dining Chair can only be used on a flat, level surface.

Care & Maintenance



- Furniture may scratch floors. We recommend using furniture pads to protect your floors.



- Do not put hot items directly on furniture surface.



- Do not clean furniture with harsh cleansers or polish.



- Do not place furniture under direct sunlight.



- Do not place furniture near heating or cooling vents.



- Do not write on furniture without a padded barrier to protect the surface.



- Do not place furniture outside . For indoor use only.



- Not for commercial use. For residential use only.



- Stains may be removed with mild soap solution and damp cloth.



- Children should not climb or jump on the furniture.



- Dust and pick-up spills using a clean, non-colored, lint-free cloth.