

# Assembly Instructions

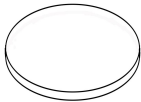

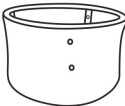

**Caution : You must read this before you proceed.**

## OYSTER BAY COUNTER TABLE

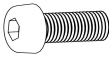





**CAUTION : This table is NOT a TOY.  
Keep your child / children at bay during the assembly process.**

### Parts List

Lable	Picture	Description	Qty
A		TABLE TOP	1
B		TABLE LEG	3
C		BASKET	1
D		ICE BUCKET	1

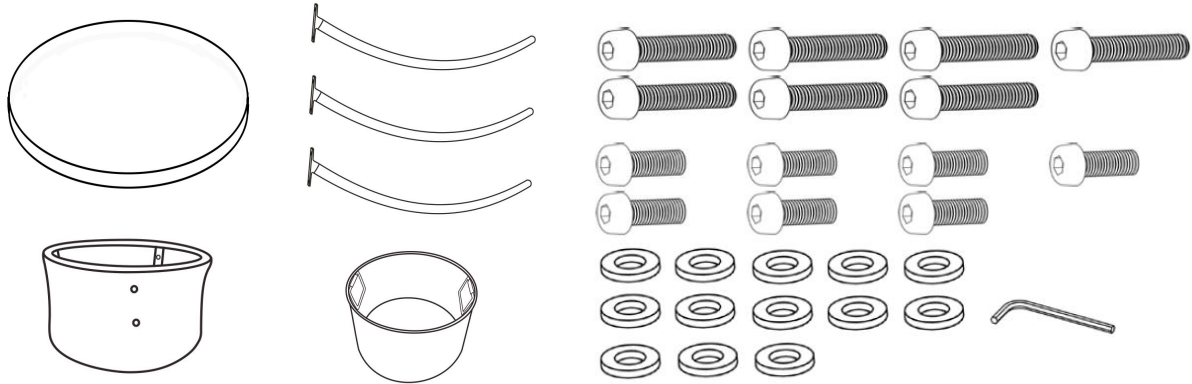
### Hardware

Lable	Picture	Description	Qty
①		Bolt (M6*15)	7
②		Bolt (M6*30)	7

③		<b>Washer</b>	<b>13</b>
④		<b>Allen Key</b>	<b>1</b>

## Assembly Preparation

Before Beginning Assembly:



- Read instructions, cover to cover-



- **Have 2 adults on hand for assembly-**



- **Do not assemble on flooring or carpet-**



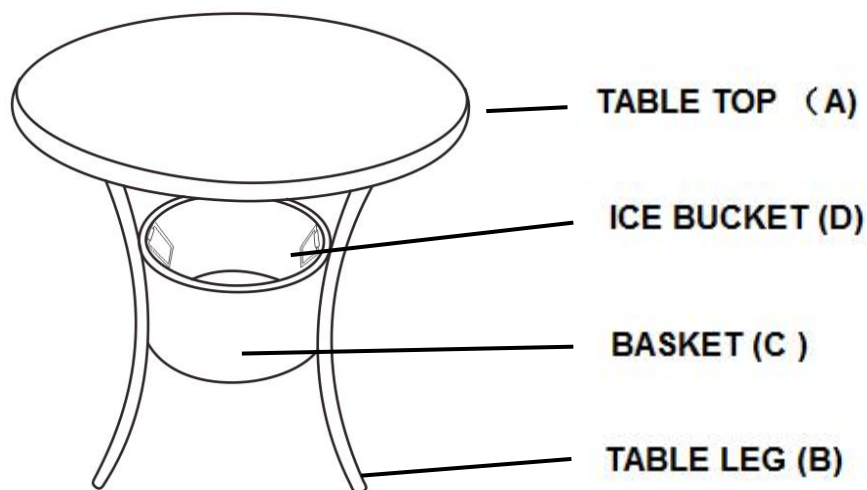
- **Assemble on a clean non-marring surface (packing foam)-**



- **Save all packaging until finished-**

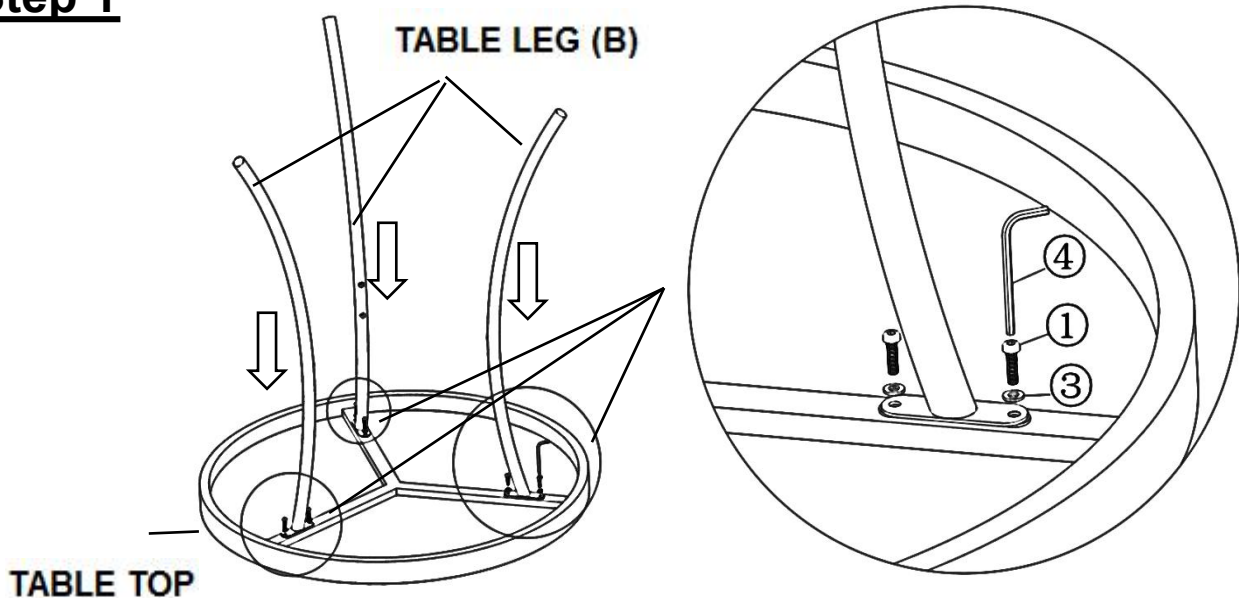
## Assembly Steps

### Overview



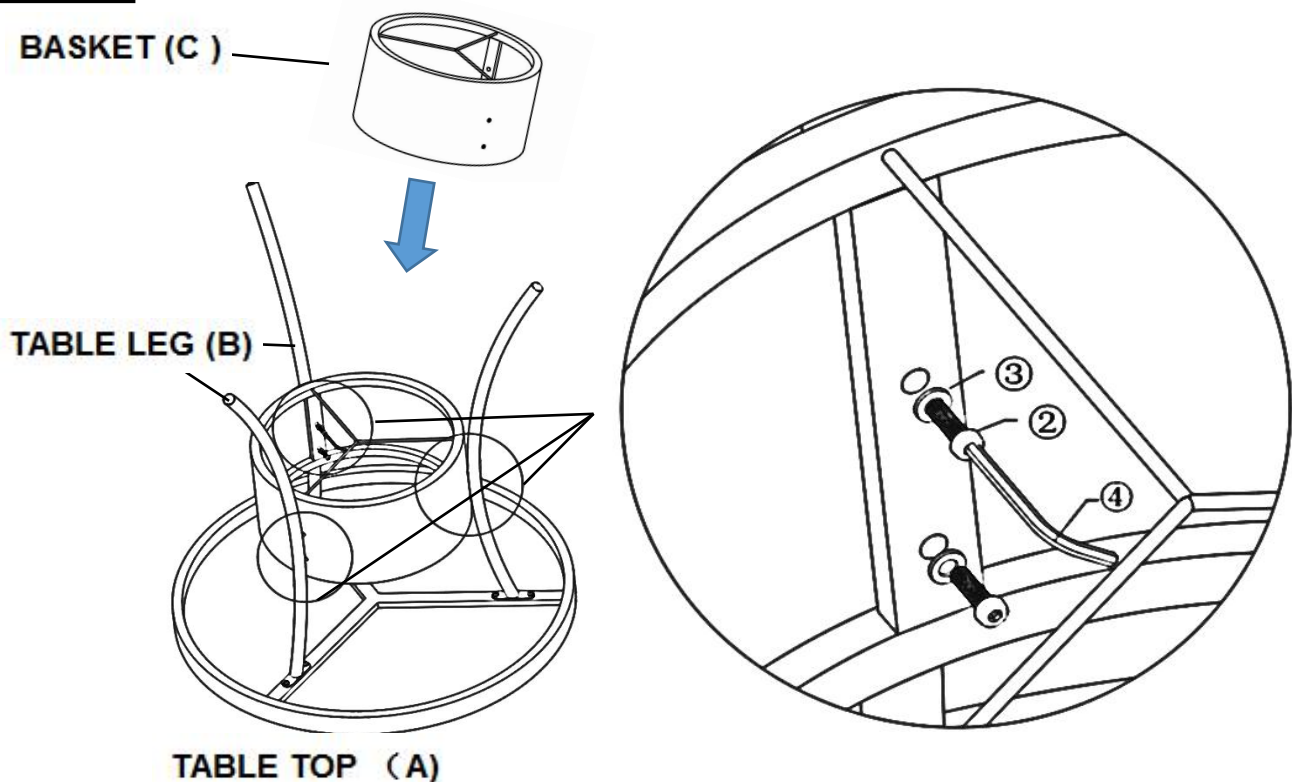
This Table has multiple parts and may require up to 30 minutes to assemble. To give you an overview of the table parts, the above picture is to help you put the various parts into perspective. Please read through the instructions below to familiarise yourself with the parts and steps before assembly.

## **Step 1**



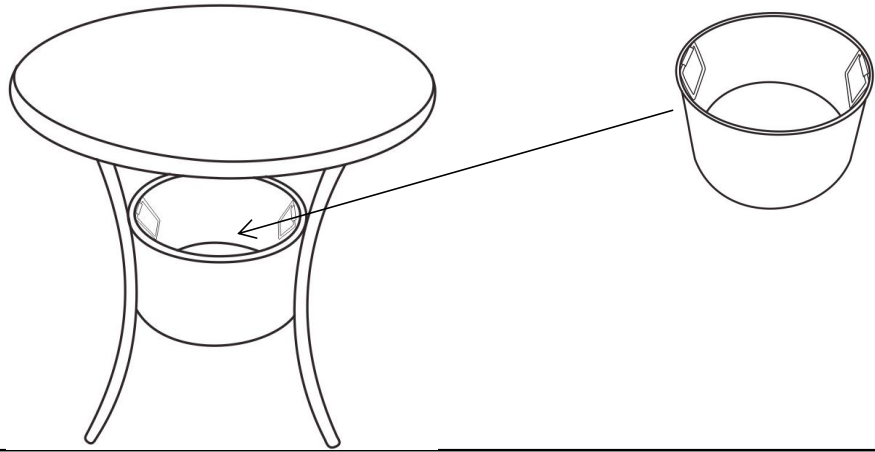
Open the carton and place all parts on a clean, soft surface.  
Place Table Top(A) facedown on non-marring surface.  
Loosely attach Leg(B) to Table Top(A), using Bolt(①) and Washer(③) with Allen Key(④)  
Repeat this Step to install the remaining legs.  
**DO NOT OVERTIGHTEN.**

## **Step 2**



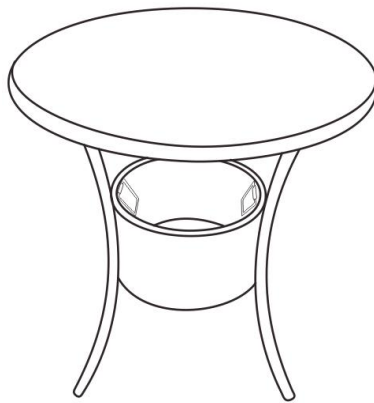
Place the Basket(C) between the legs ensuring the triangle base is at the top.  
Align the mounting holes of the Legs(B) and Basket(C) and secure using Bolt(②) and Washer (③) with Allen Key(④) at all mounting points shown in picture above.  
**Now, in a sequential manner, tighten all screws and nuts at all joints.**

### **Step 3**



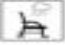










Place the Ice Bucket (D) into the Basket(C) as shown in picture.

### **Step 4**



Your table is now ready for use.

### **Care & Maintenance**

- ⊘  ● Prolonged exposure to rain may cause rusting which can stain floors.
- ⊘  ● Do not put hot items directly on furniture surface.
- ⊘  ● Do not clean furniture with harsh cleansers or polish.
- ✓  ● To obtain the longest lifespan of your outdoor products, minimizing exposure to direct sunlight is recommended.
- ⊘  ● Children should not climb or jump on the furniture.
- ⊘  ● Do not write on furniture without a padded barrier to protect the surface.
- ✓  ● To obtain the longest lifespan of your outdoor products, avoid extended and lengthy exposure to rain, snow, and direct sunshine. Whenever possible cover the product and /or place under patio or awnings.
- ⊘  ● Not for commercial use. For residential use only.
- ⊘  ● Stains may be removed with mild soap solution and damp cloth.
- ✓  ● Keep away from sources of ignition.
- ✓  ● Dust and pick-up spills using a clean, non-colored, lint-free cloth.