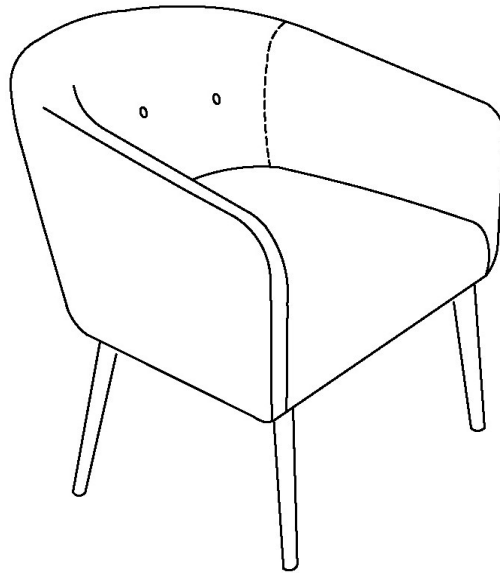


# Assembly Instructions

**Caution: You must read this before you proceed**


## Arm Chair



### Parts List

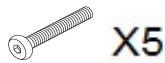
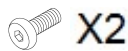
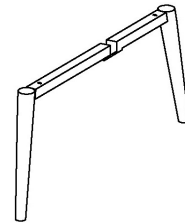
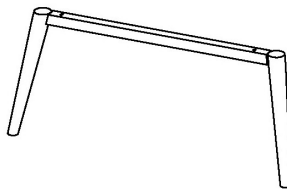
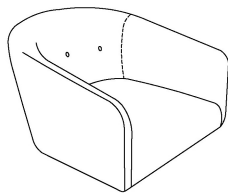
Label	Picture	Description	QTY
A	A line drawing showing the seat and backrest of the chair, which are two separate pieces that will be joined together. The backrest has two small circular details.	Seat and Back	1
B	A line drawing of the upper leg frame, consisting of two angled legs connected by a horizontal bar. It includes an adjustable leveler on the front leg.	Upper leg frame(with Adjustable Leveler)	1
C	A line drawing of the lower leg frame, consisting of two angled legs connected by a horizontal bar. It includes an adjustable leveler on the front leg.	Lower leg frame(with Adjustable Leveler)	1

## Hardware

Label	Picture	Description	QTY
①		Bolt (M6*16mm)	2
②		Bolt (M6*50mm)	5
③		Spring Washer	7
④		Washer	7
⑤		Allen Wrench (M6)	1

## Assembly Preparation

Before Beginning Assembly:



- Read instructions, cover to cover-



- Have 2 adults on hand for assembly-



- Do not assemble on flooring or carpet-



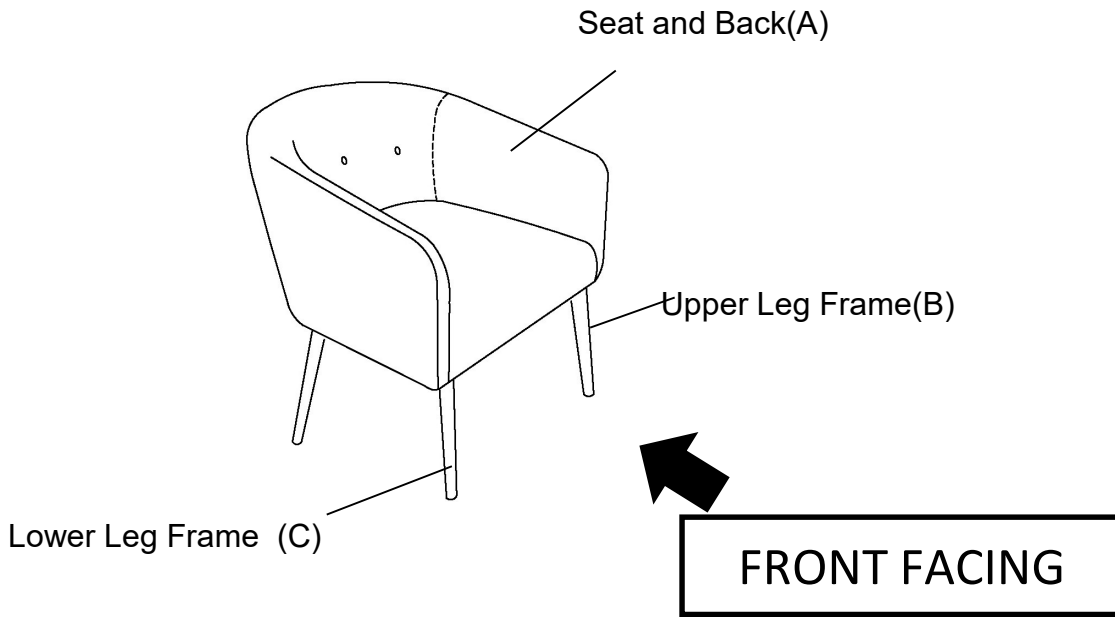
- Assemble on a clean non-marring surface (packing foam)-



- Save all packaging until finished-

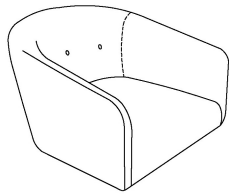
## Assembly Steps

# Overview

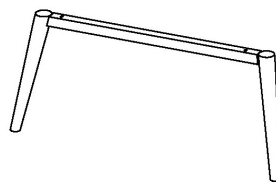


This Arm Chair has multiple parts and may require up to 30 minutes to assemble. To give you an overview of the Arm Chair, the above picture is to help you put the various parts into perspective. Please read through the instructions below to familiarise yourself with the parts and steps before assembly.

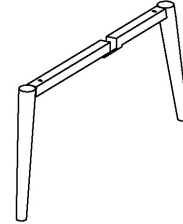
## Step 1



A



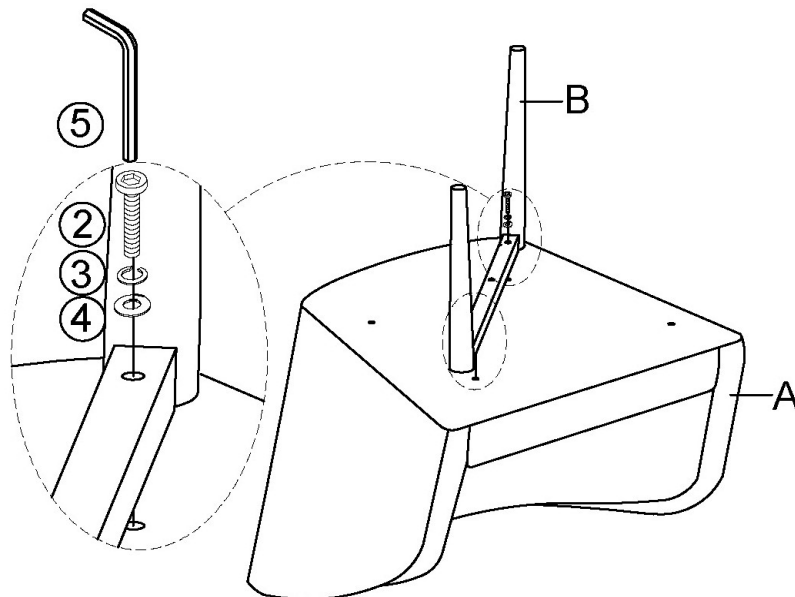
B



C

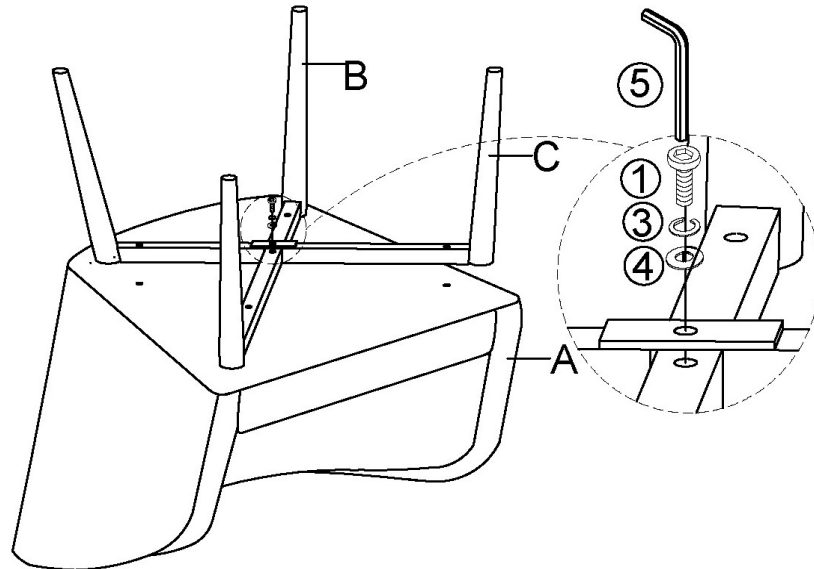
Place the Seat and Back(A), Upper Leg Frame(B) and Lower Leg Frame(C) on a clean, non-marring surface.

## Step 2



Attach the Upper Leg Frame(B) to the bottom of the Seat and Back(A) using the Bolts(②), Spring Washers(③) and Washers(④) with the Allen Wrench(⑤) as shown above.

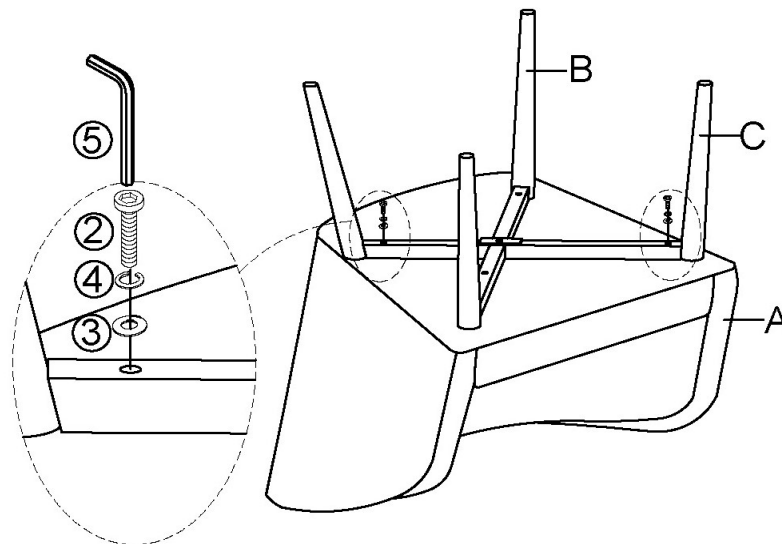
### Step 3



Use the Bolts(①), Spring Washers(③) and Washers(④), with the Allen Wrench(⑤) fixed Upper Leg Frame(B) and Lower Leg Frame(C) as shown above.

**Please note: This Step do not fully tighten the Bolts.**

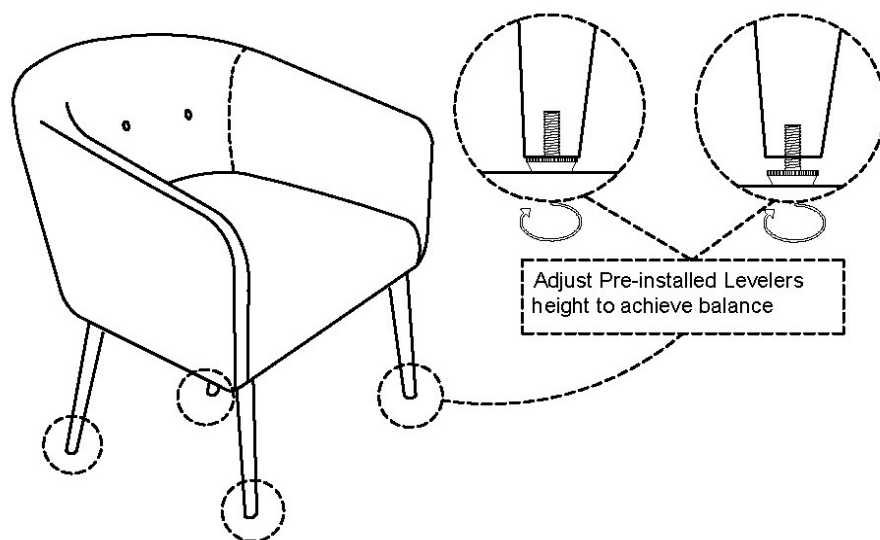
### Step 4



Use the Bolts(②), Spring Washers(③) and Washers(④), with the Allen Wrench(⑤) to fixed Seat and Back(A) and Lower Leg Frame(C) as shown above.

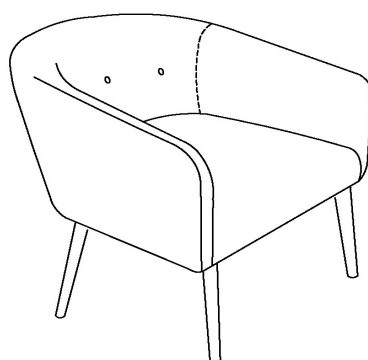
**Tighten all Bolts at all joints fully in a sequential manner.**

## Step 5













Adjust the Pre-installed Levelers at the bottom of the Upper Leg Frame(B) and Lower Leg Frame(C) until the Arm Chair is level with the ground.

## Step 6



Your Dining Arm Chair ready for use.  
**This Dining Arm Chair can only be used on a flat, level surface.**

## **Care & Maintenance**

- ⊘  • Prolonged exposure to rain may cause rusting which can stain floors.
- ⊘  • Do not put hot items directly on furniture surface.
- ⊘  • Do not clean furniture with harsh cleansers or polish.
- ⊘  • To obtain the longest lifespan of your outdoor products, minimizing exposure to direct sunlight is recommended.
- ⊘  • Children should not climb or jump on the furniture.
- ⊘  • Do not write on furniture without a padded barrier to protect the surface.
- ⊘  • To obtain the longest lifespan of your outdoor products, avoid extended and lengthy exposure to rain, snow, and direct sunshine. Whenever possible cover the product and /or place under patio or awnings.
- ⊘  • Not for commercial use. For residential use only.
- ⊘  • Stains may be removed with mild soap solution and damp cloth.
- ⊘  • Keep away from sources of ignition.



- Dust and pick-up spills using a clean, non-colored, lint-free cloth.