

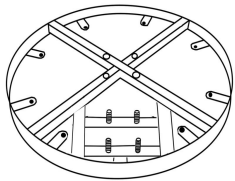
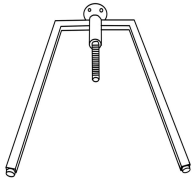
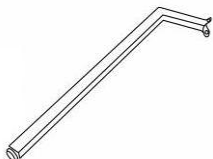
# Assembly Instructions

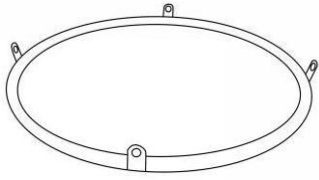

Caution : You must read this before you proceed

## Barstool


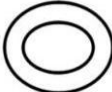
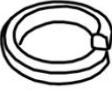
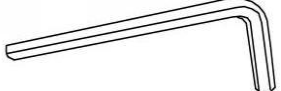






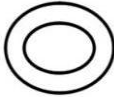
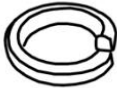

### Parts List

Label	Picture	Description	QTY
A		Chair Seat	1
B		Chair Leg Frame with Thread Rod	1
C		Chair Leg	2

D		Footrest	1
E		Backrest	1

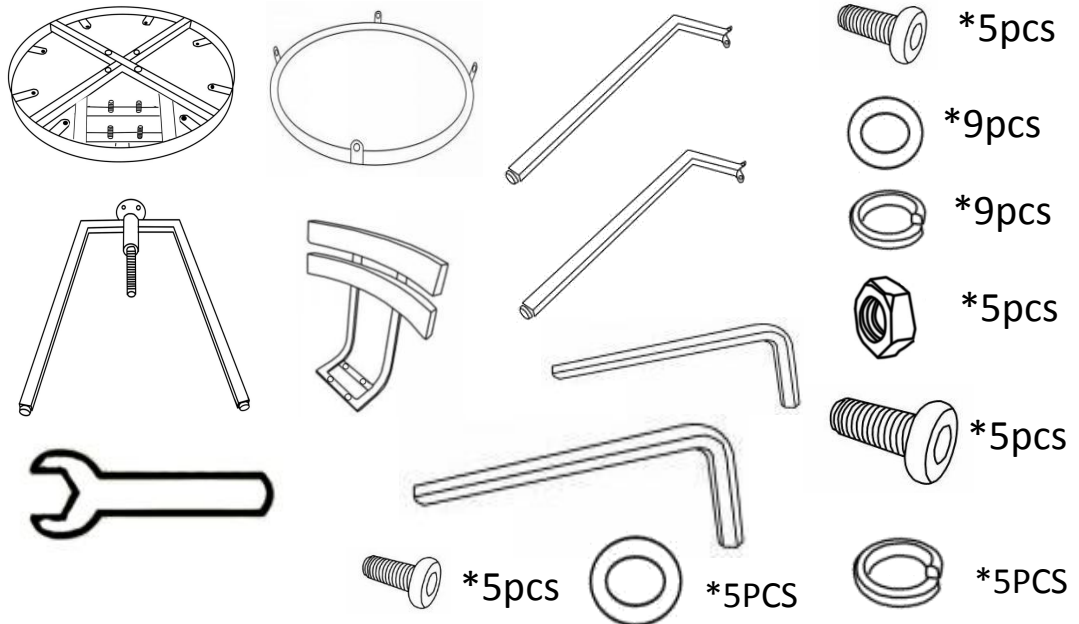
## Hardware

Label	Picture	Description	QTY
①		Bolt(M6*16mm)	5
②		Washer(M6)	9
③		Spring Washer(M6)	9
④		Allen Wrench(M6)	1
⑤		Nut(M8)	5
⑥		Spanner(M8)	1
⑦		Bolt(M8*16mm)	5
⑧		Allen Wrench(M8)	1

⑨		Washer(M8)	5
⑩		Spring Washer(M8)	5
⑪		<b>Bolt(M6*12mm)</b>	5

## Assembly Preparation

Before Beginning Assembly :



- Read instructions, cover to cover-



- Have 2 adults on hand for assembly-



- Do not assemble on flooring or carpet-



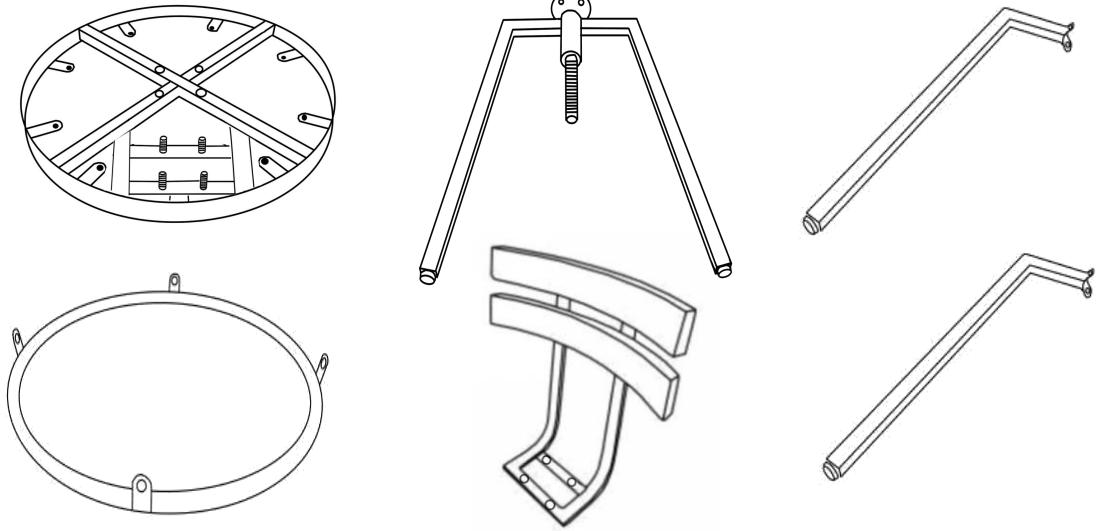
- Assemble on a clean non-marring surface (packing foam)-



- Save all packaging until finished-

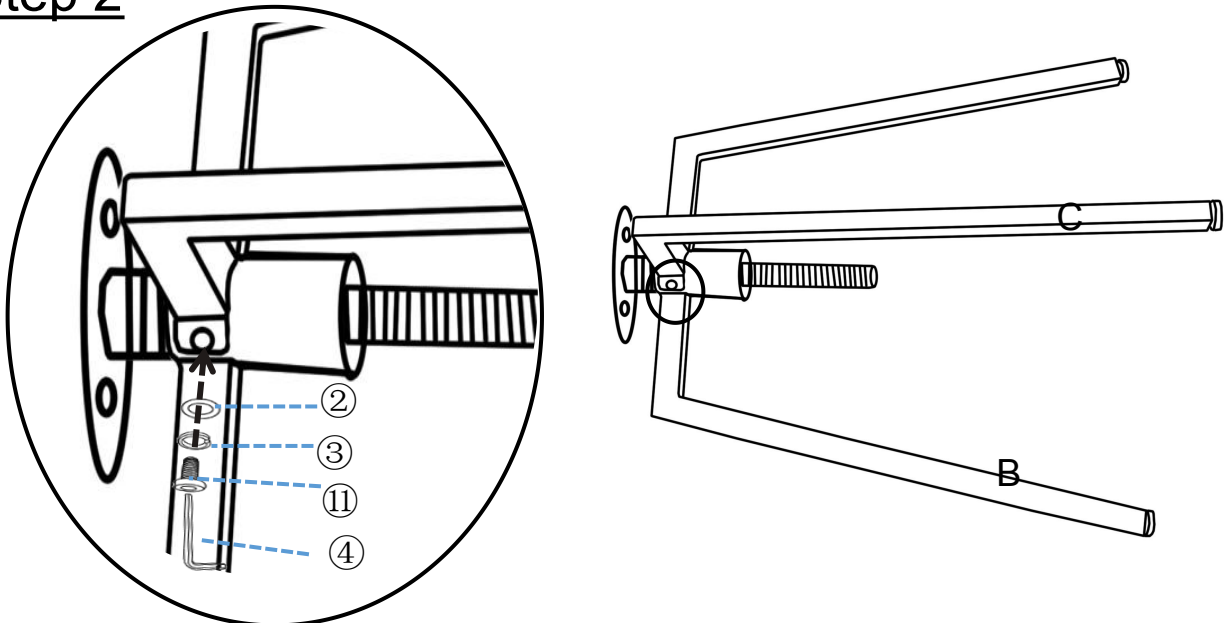
# Assembly Steps

## Step 1



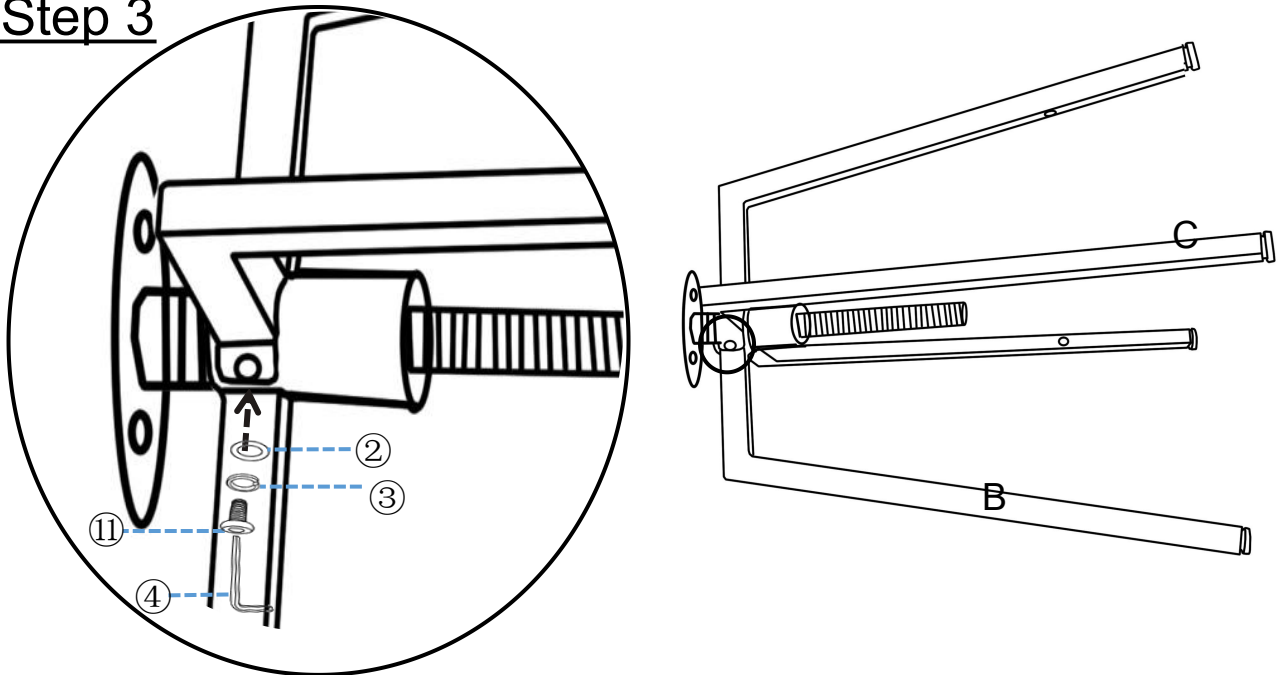
Place the above components on a clean and soft surface.

## Step 2



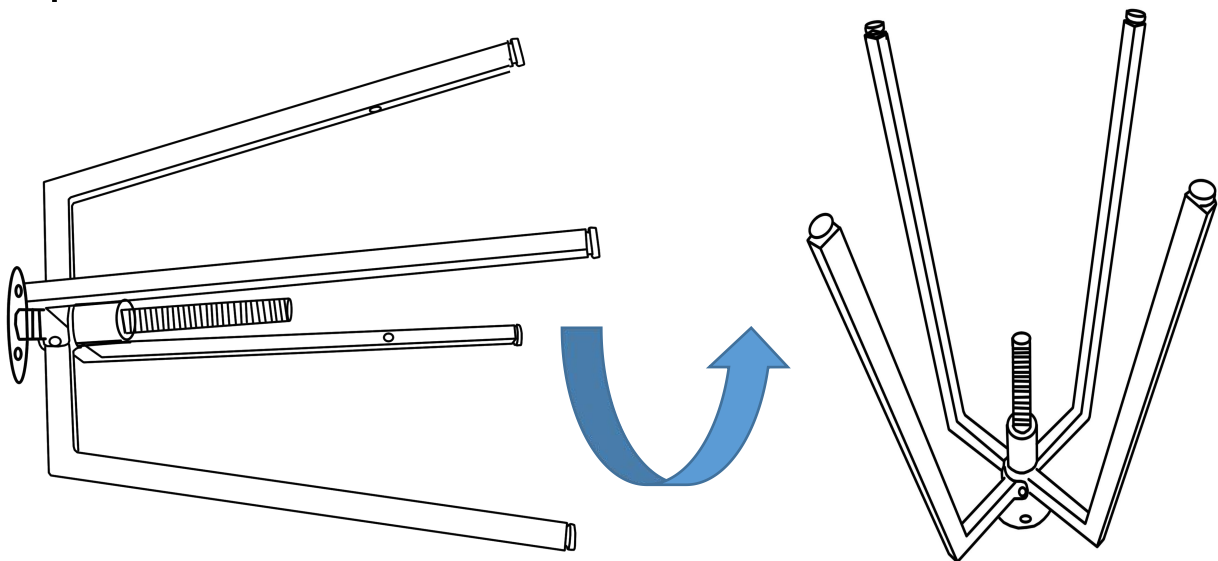
Attached Chair Leg(C) to Chair Leg Frame with Thread Rod(B) using Bolt(①) ,Washer(②) and Spring Washer(③) with Allen Wrench(④), then attach the other side of the Chair Leg(C).  
Do not fully tighten the bolts.

### Step 3



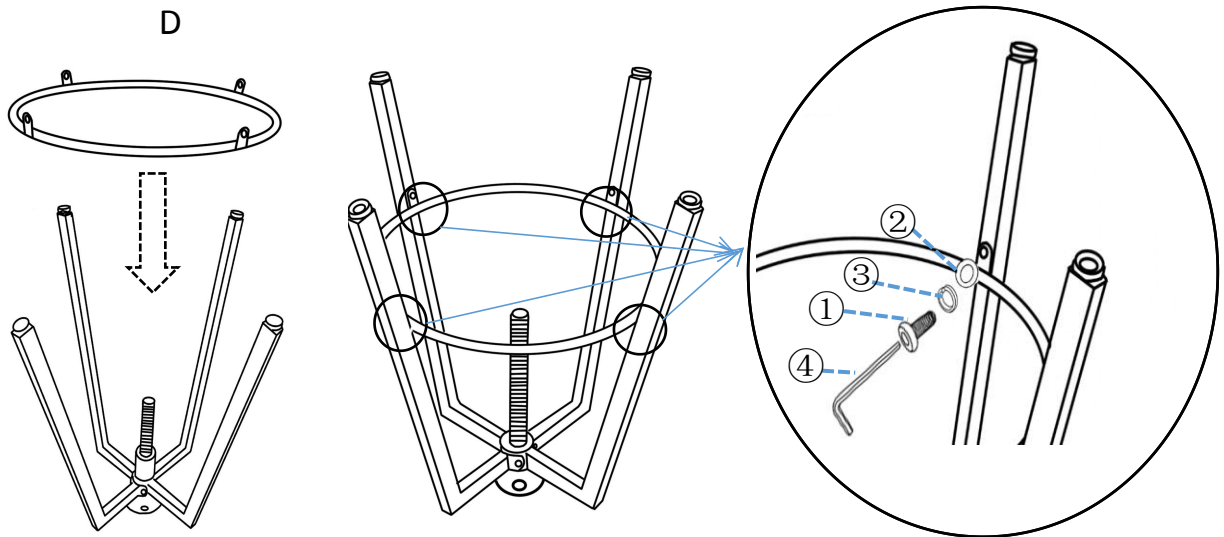
Repeat Step 2 to assemble another Chair Leg(C) to Chair Leg frame with Thread Rod (B) using Bolt(①) ,Washer(②) and Spring Washer(③) with Allen Wrench(④), then attach the other side of the Chair Leg(C).  
**Do not fully tighten the bolts.**

### Step 4



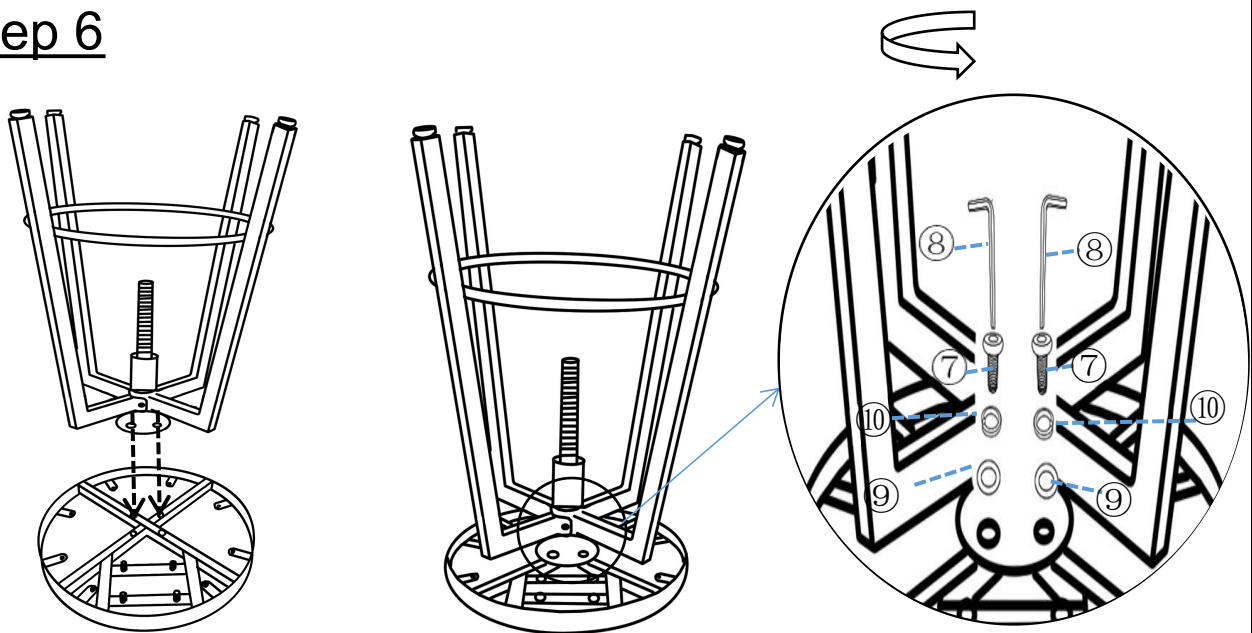
Stand up the pre-assembled chair frame as above shown.

## Step 5



Attached Footrest(D) to pre-assemble chair frame(B.C) using Bolt(①), Washer(②) and Spring Washer(③) with Allen Wrench(④).  
**Tighten all bolts.**

## Step 6



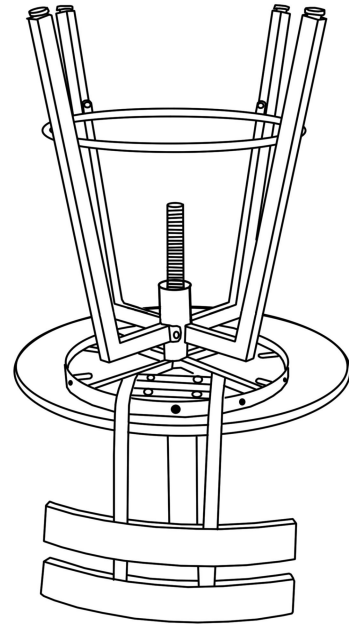
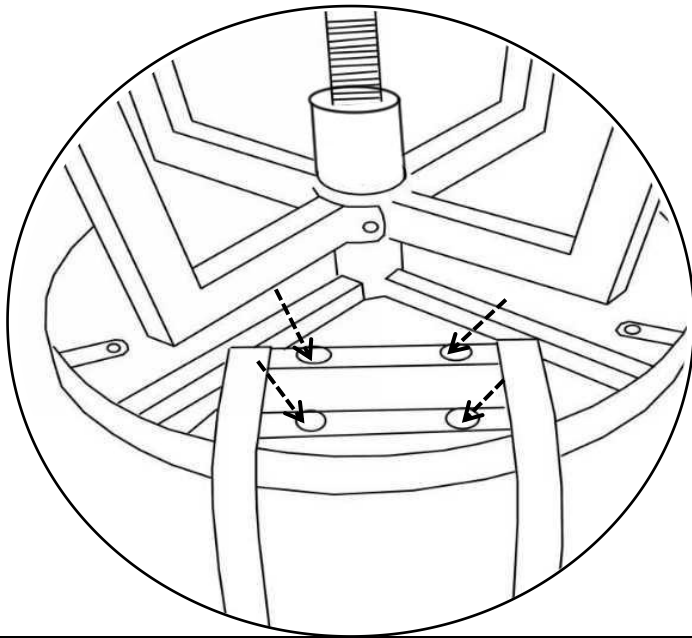
Please rotate the screw to the right position before proceeding to the next step.

Place the Seat Frame facedown onto a table, as shown. Attached Pre-assemble chair frame(B.C.D) to Chair Seat (A) using Bolts(⑦), Washer(⑨) and Spring Washer(⑩) with Allen Wrench(⑧).

**Tighten all bolts.**

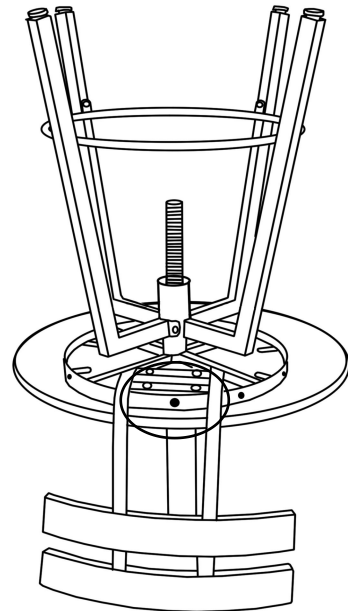
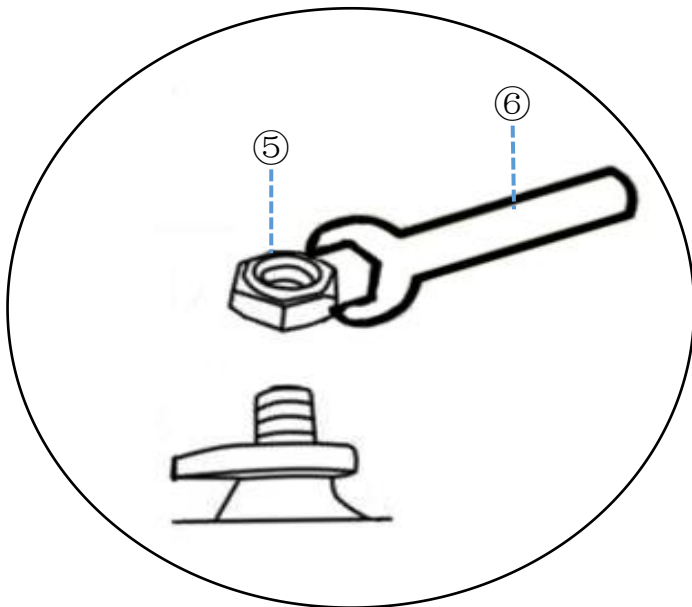


## Step 7



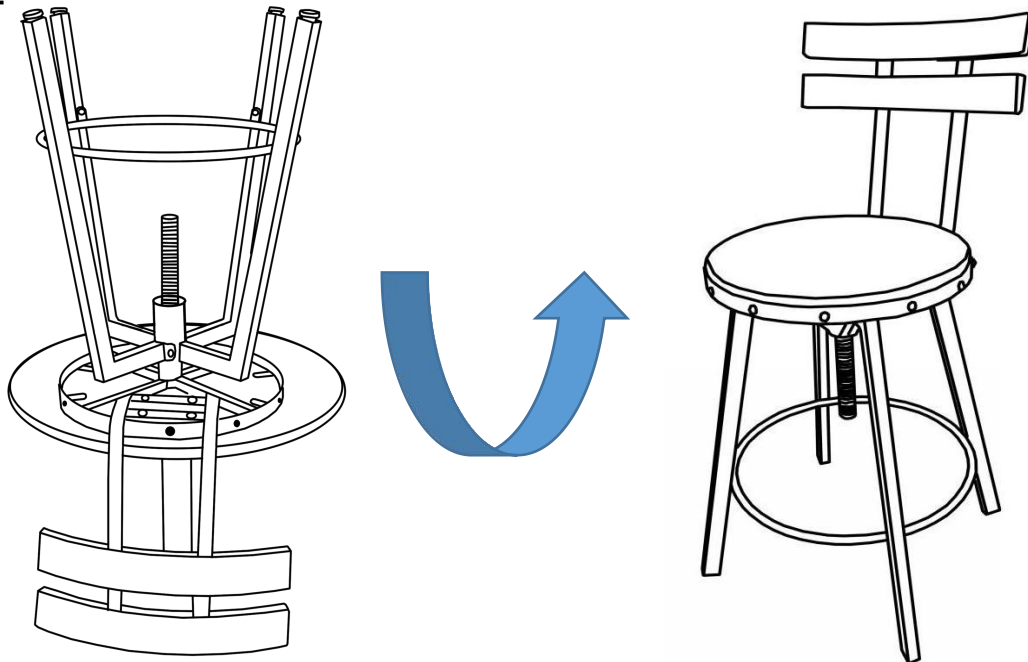
Align the mounting positions on the Seat Frame and the Backrest(E).

## Step 8



Attach Seat Frame to Backrest(E) using Nuts(5) with Wrench(6).  
**CAUTION** : When tightening these Nuts, tighten sequentially.  
**DO NOT** tighten any screw fully and then towards the next one.

## Step 9



Stand the Barstool up and check the firmness of backrest.

**Tighten all nuts.**

**WARNING!! IF BARSTOOL BACKREST IS NOT FIRMNESS, IT COULD LEAD TO DAMAGING THE PRODUCT.**

## Step 10



Your Barstool is ready for use.

Revolve the Chair Seat(A) to adjust the Barstool's height.

This Barstool can only be used on a flat, level surface.



## Care & Maintenance



- Furniture may scratch floors. We recommend using furniture pads to protect your floors.



- Do not put hot items directly on furniture surface.



- Do not clean furniture with harsh cleansers or polish.



- Do not place furniture under direct sunlight.



- Do not place furniture near heating or cooling vents.



- Do not write on furniture without a padded barrier to protect the surface.



- Do not place furniture outside . For indoor use only.



- Not for commercial use. For residential use only.



- Stains may be removed with mild soap solution and damp cloth.



- Children should not climb or jump on the furniture.



- Dust and pick-up spills using a clean, non-colored, lint-free cloth.