

WARNING!!

Children have died from furniture tipover. Tip restraints have been included with this product; you must install the tip restraints according to these instructions in order to minimize the risk of furniture tipping. If you have any questions about this product or the tip restraint, please send us an email at tip_restraint_help@Noblehousefurniture.com

NEVER allow children to climb or hang on furniture, including drawers or cabinet doors.

In addition to installing the restrains, to help prevent tip-over

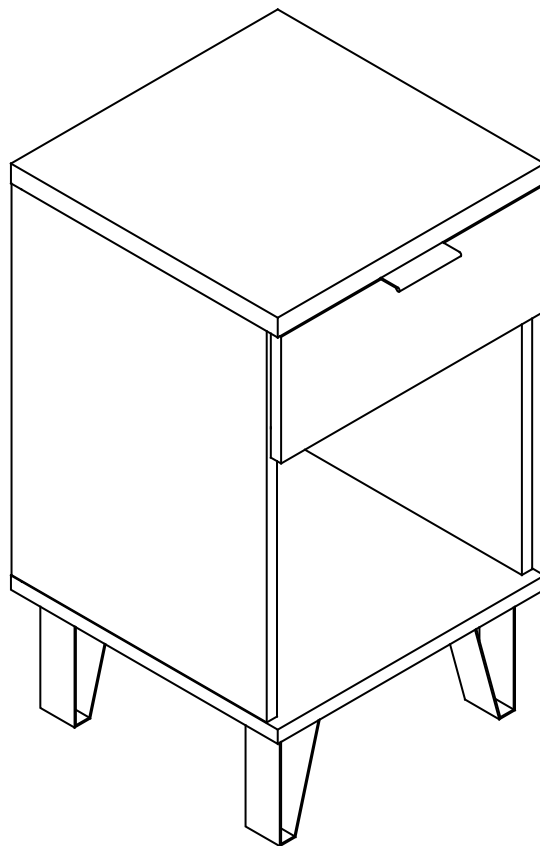
1. **NEVER** put a TV or other heavy objects on top of this product".
2. Do not stand on the product

⚠ WARNING	
	<p>Children have died from furniture tipover. To reduce the risk of furniture tipover:</p> <ul style="list-style-type: none">• ALWAYS install tipover restraint provided.• NEVER put a TV on this product.• NEVER allow children to stand, climb or hang on drawers, doors, or shelves.• NEVER open more than one drawer at a time.• Place heaviest items in the lowest drawers.• Do not defeat or remove the drawer interlock system. <p><i>This is a permanent label. Do not remove!</i></p>
	

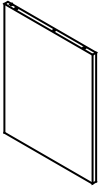
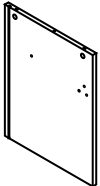
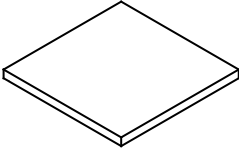
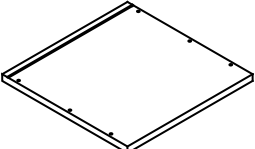
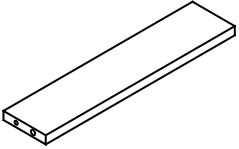
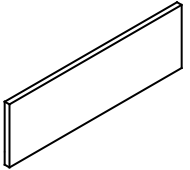
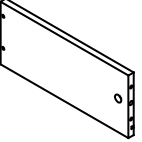
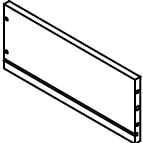
Assembly Instructions

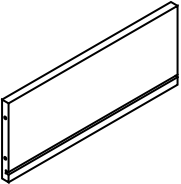
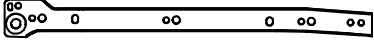
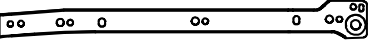
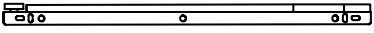
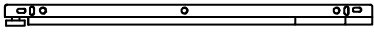
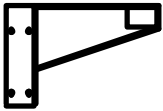

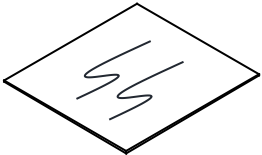
Caution: You must read this before you proceed

Tall End Table












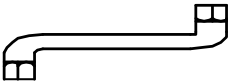




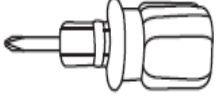
Parts List

Label	Picture	Description	QTY
A		Side Panel Left	1
B		Side Panel Right	1
C		Top Panel	1
D		Bottom Panel	1
E		Support Panel	1
F		Drawer Front	1
G		Drawer Side Left	1
H		Drawer Side Right	1

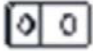



I		Drawer Back	1
J		Drawer Slide (CL)	1
K		Drawer Slide (CR)	1
L		Drawer Slide (DL)	1
M		Drawer Slide (DR)	1
N		Metal Leg	4
Y		Back Panel	1
Z		Drawer Bottom (1S)	1

Hardware

Label	Picture	Description	QTY
①		Cam Bolt	9
②		Large Cam Lock	7
③		Small Cam Lock	3
④		Wood Dowel	11
⑤		Csk Screw	25
⑥		Euro Screw	5
⑦		Csk Screw	5
⑧		L-Shape Handle	1
⑨		Unitar Screw	5
⑩		Backply Stopper	6
⑪		Csk Screw	6
⑫		Allen Wrench (M4)	1

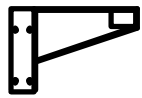
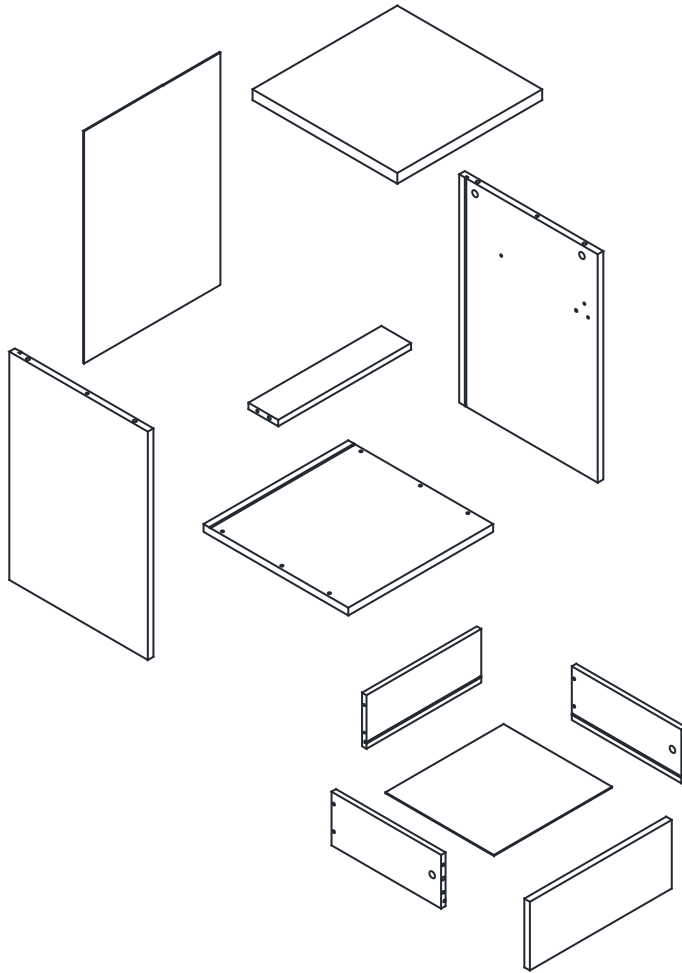
⑬		Power Drill (Not Provided)	1
⑭		Hammer (Not Provided)	1
⑮		Screwdriver (Not Provided)	1

Tipover Restraint Device Hardware

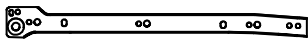
⑯		Metal Bracket	4
⑰		Wall Plug (25mm)	2
⑱		Pan Head Screw (M4 x 25)	2
⑲		Tipover Restraint Strap	2

Assembly Preparation

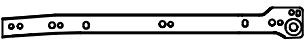
Before Beginning Assembly:



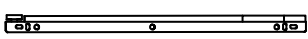
x4



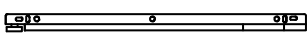
x1



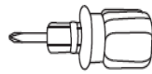
x1



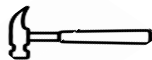
x1



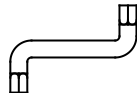
x1



x1



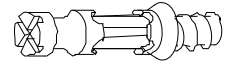
x1



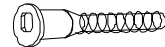
x1



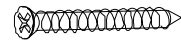
x1



x9



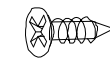
x5



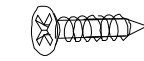
x5



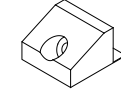
x5



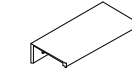
x25



x6



x6



x1



x11



x7



x3



x4



x2



x2



x2



• Read instructions, cover to cover-



• Have 2 adults on hand for assembly-



• Do not assemble on flooring or carpet-



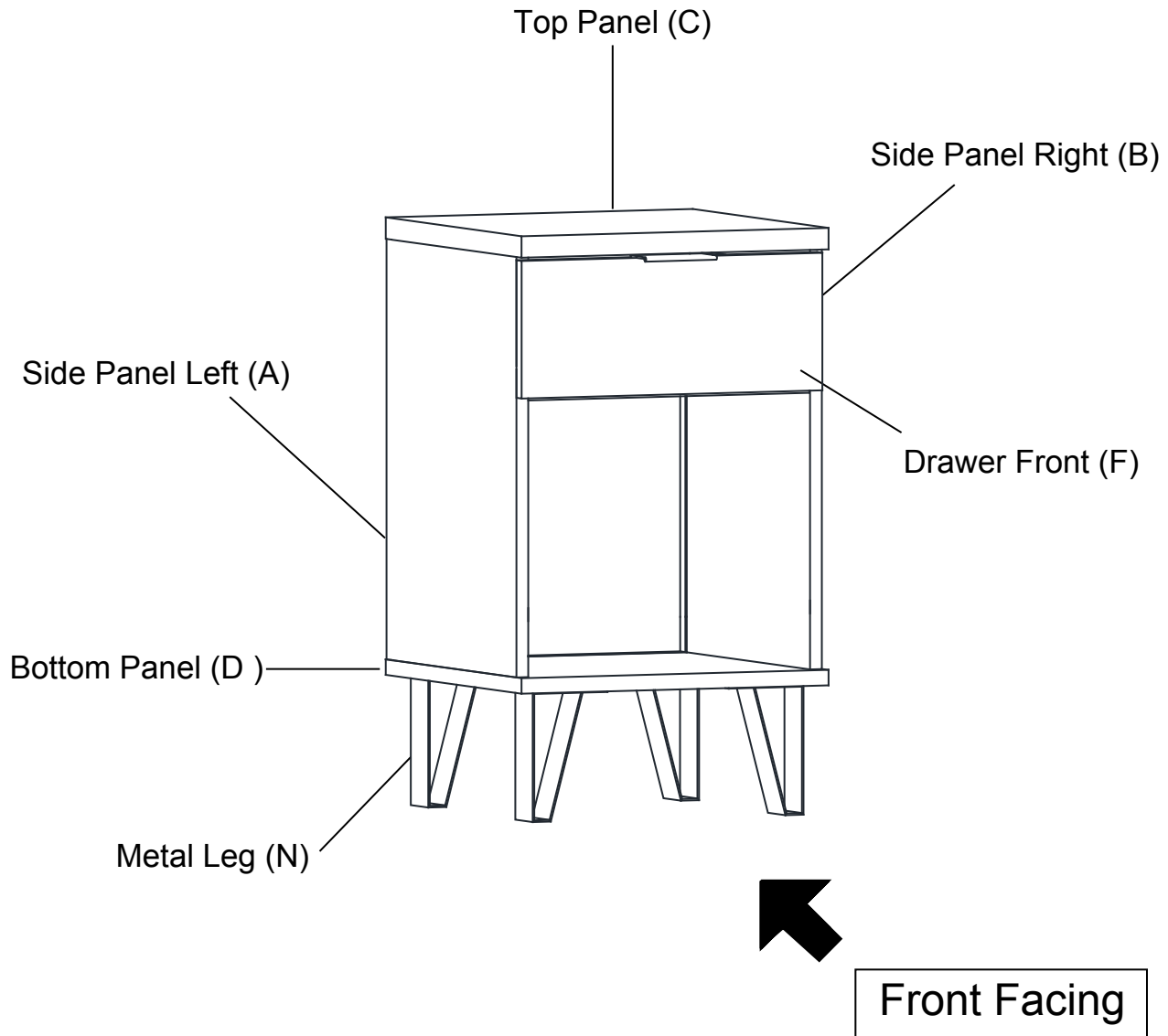
• Assemble on a clean non-marring surface (packing foam)-



• Save all packaging until finished-

Assembly Steps

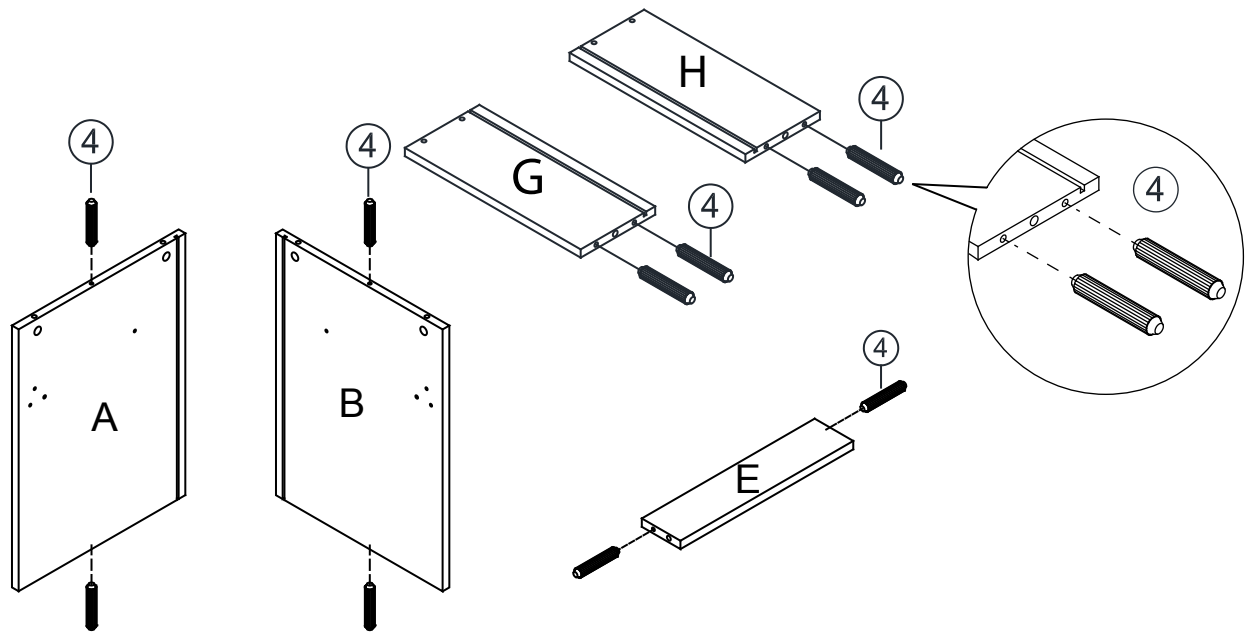
Overview



This Tall End Table has multiple parts and may require up to 30 minutes to assemble. To give you an overview of the Tall End Table parts, the above picture is to help you put the various parts into perspective. Please read through the instructions below to familiarise yourself with the parts and steps before assembly.

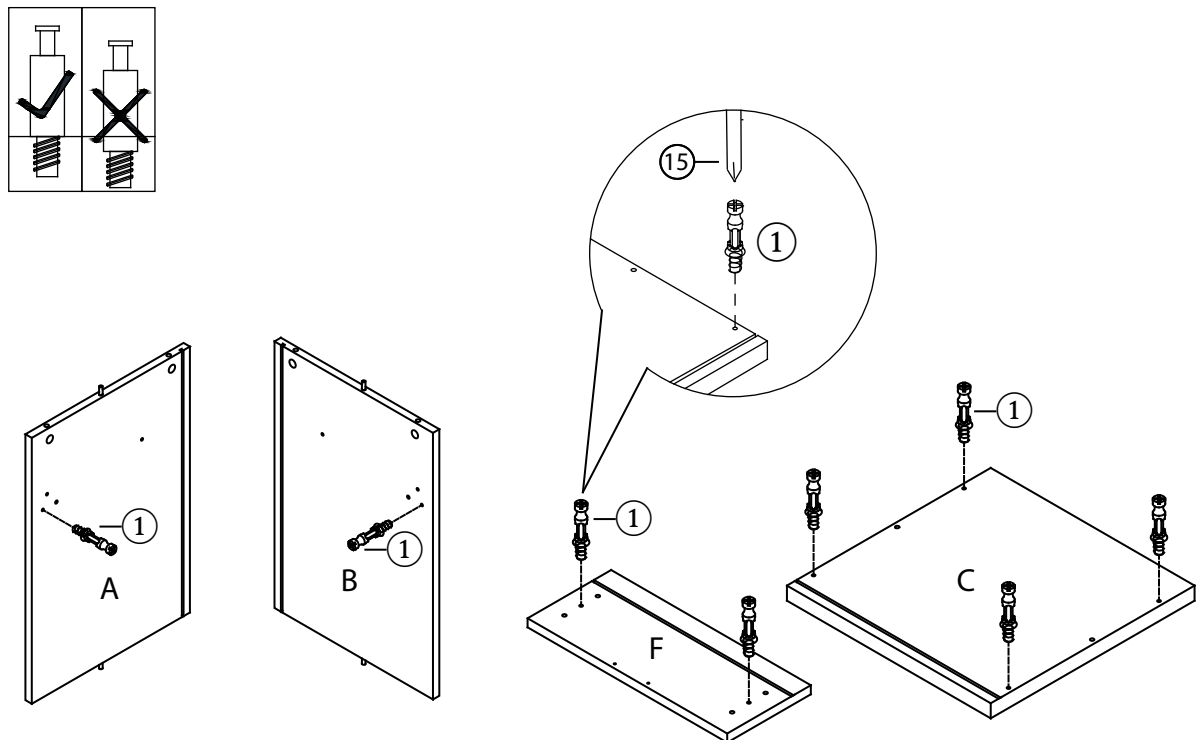
Assembly Steps

Step 1



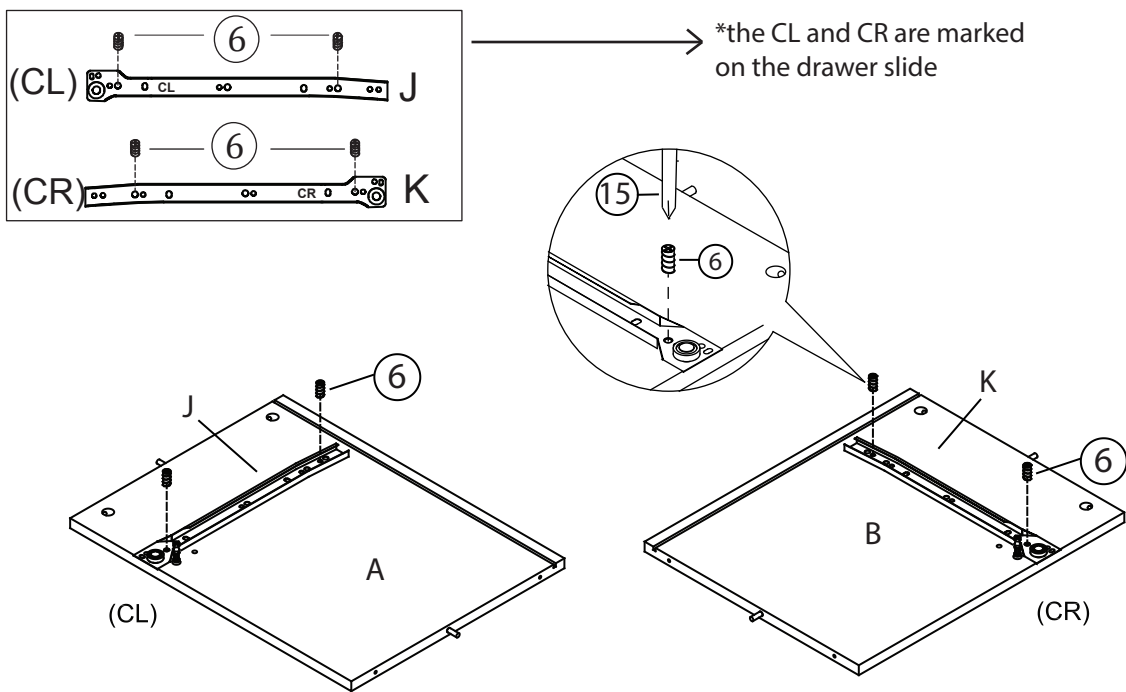
Unpack and place all parts on a clean, non-marring surface. Insert the Positioning Dowels (④) into the mounting positions on the Side Panel Left (A) and Right (B), the Support Panel (E), the Drawer Side Left (G) and Drawer Side Right (H).

Step 2



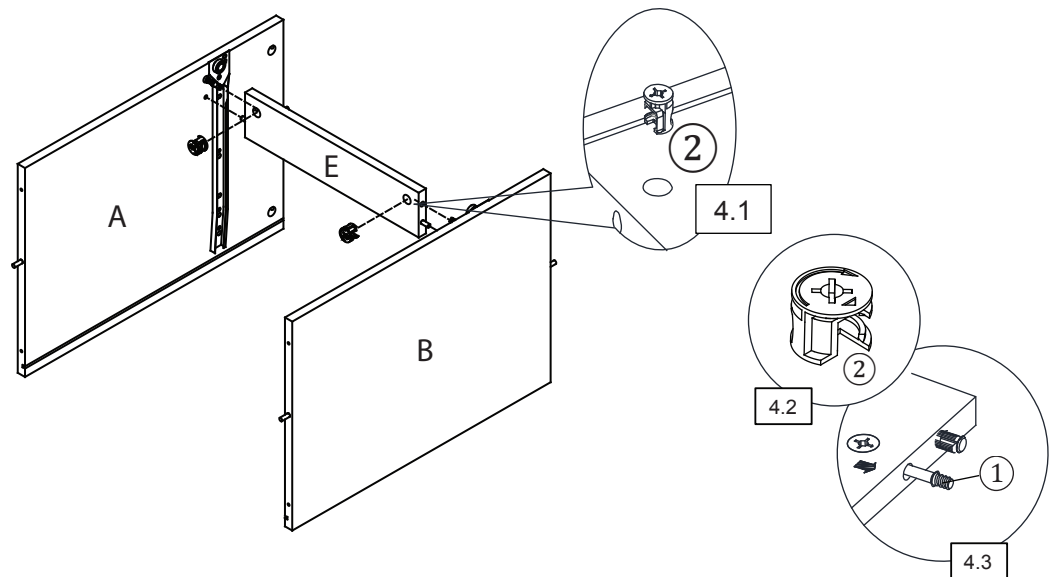
Attach Cam Bolt (①) to the mounting positions on the Top Panel (C) Side Panel Right (B) and Side Panel left (A) and the Drawer front (F) with a Screwdriver (⑮)

Step 3



Attach the Drawer Slide CL (J) onto the Side Panel Left (A) and attach the Drawer Slide CR (K) onto the Side Panel Right (B). Then, use the Euro Screws (6) to screw the Drawer Slides to the Side Panel.

Step 4



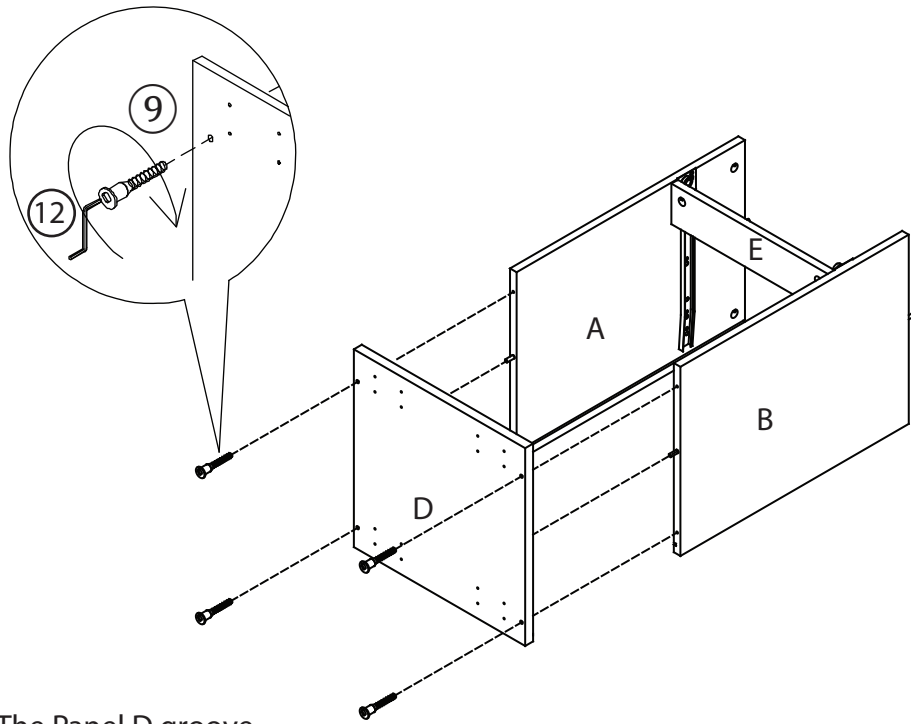
4.1) Insert Large Cam Locks(2) into the mounting positions on the Support Panel (E).
4.2) Position the Large Cam Locks arrow(2) directly to the mounting position where the Cam Bolts (1) will be inserted.

4.3) Insert Cam Bolts(1) to attach Side Panel Left (A) and Side Panel Right (B) into the mounting positions of Support Panel (E) on both sides.

Then, position the Large Cam Locks (2) arrow again away from the direction of the mounting position using the Screwdriver (15)

Tighten the Screws fully in a sequential manner

Step 5

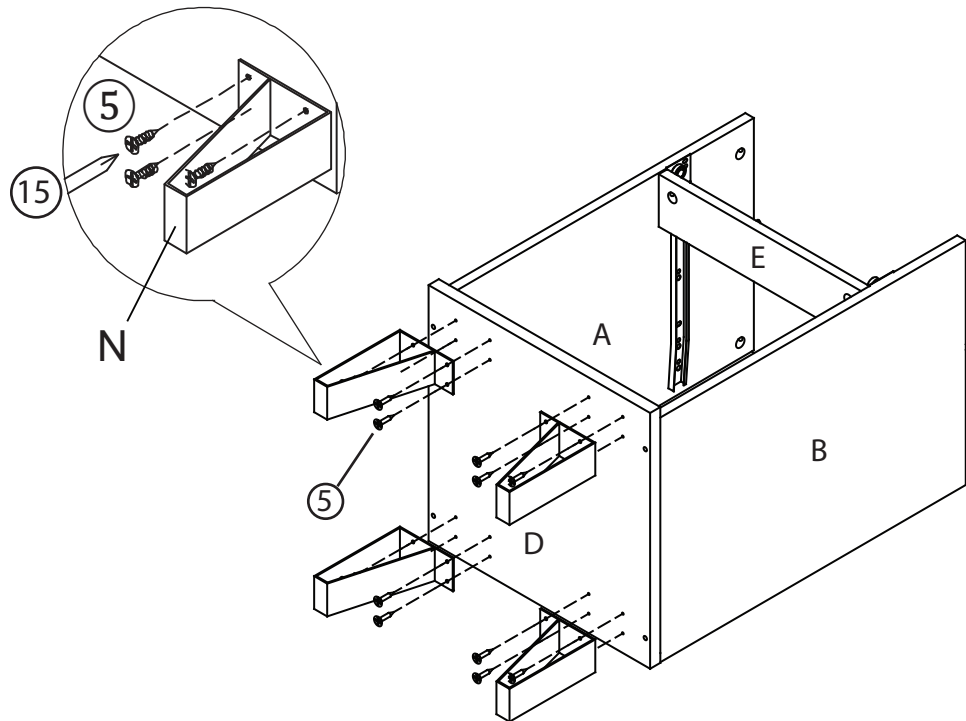


*Reminder : The Panel D groove must align with panel A and B.

Make sure all panels which have grooves are facing each other

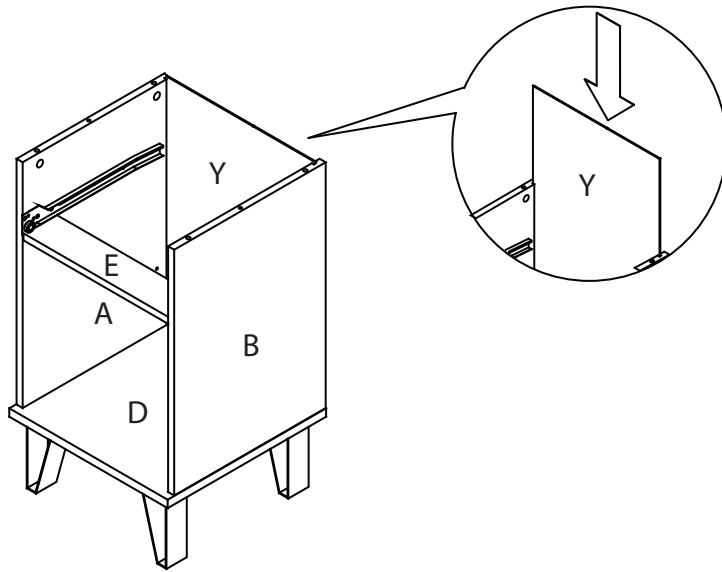
Attach the Bottom Panel (D) to the Side Panel Right (B) and Side Panel Left (A) using the Unitar Screws(9) with the Allen Wrench (12).

Step 6



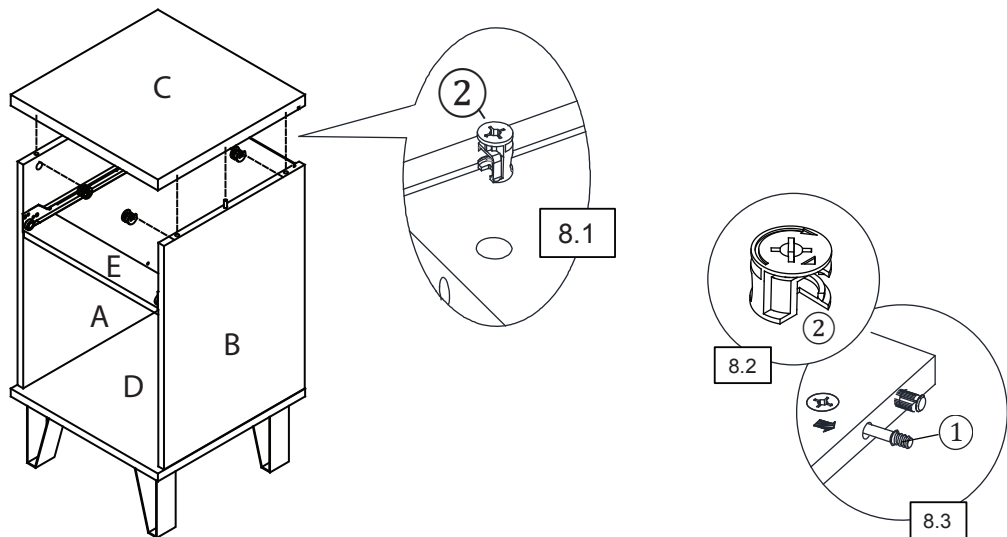
Follow the preholes at the Bottom Panel (D) , attach the metal legs (N) and screw four Csk Screws ((5)) for each leg using the Screwdriver ((15)).

Step 7



Insert the Back Panel (Y) along the slots on the Side Panels Right (B) and Side Panel Left (A).

Step 8



8.1) Insert Cam Locks(②) into the mounting positions on the Top Panel (C) and Side Panel Right (B) and Side Panel Left (A) by hand.

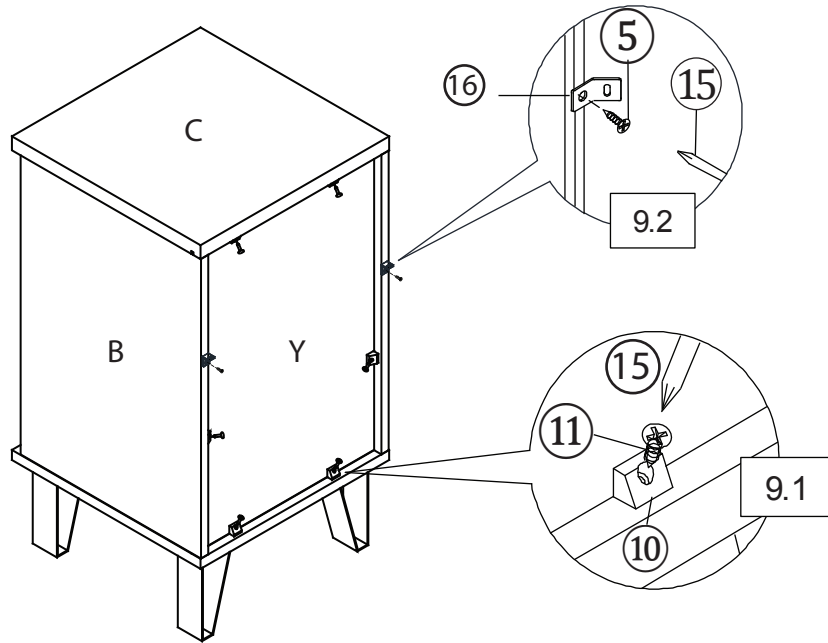
8.2) Position the Large Cam Locks arrow (②) directly to the mounting position where the Cam Bolts (①) will be inserted.

8.3) Insert Cam Bolts(①) to attach Top Panel (C) into the mounting positions of Side Panel Right (B) and Side Panel Left (A).

Then, position the Large Cam Locks (②) arrow again away from the direction of the mounting position using the Screwdriver (⑮).

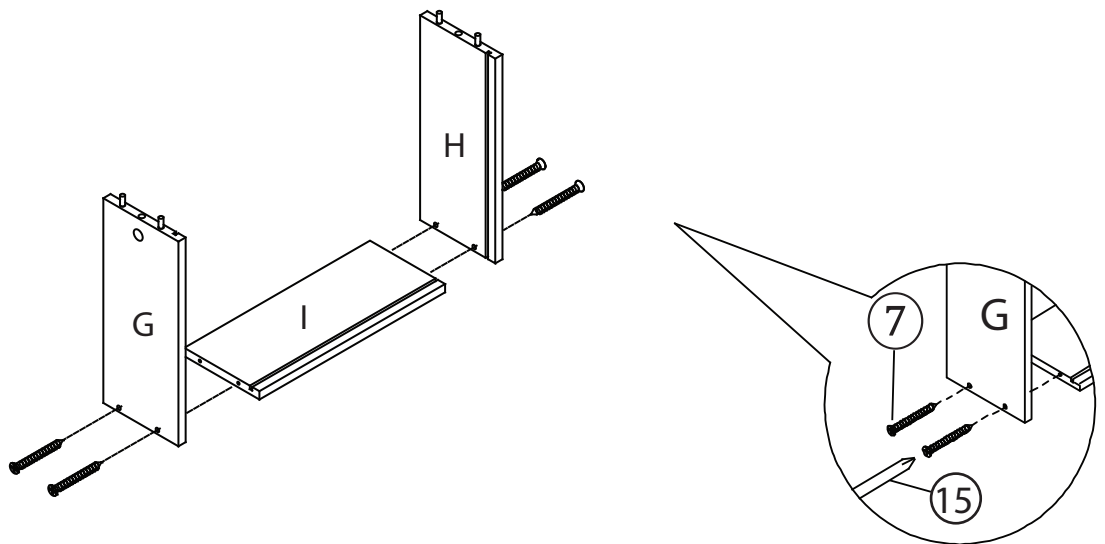
Tighten the Screws fully in a sequential manner

Step 9



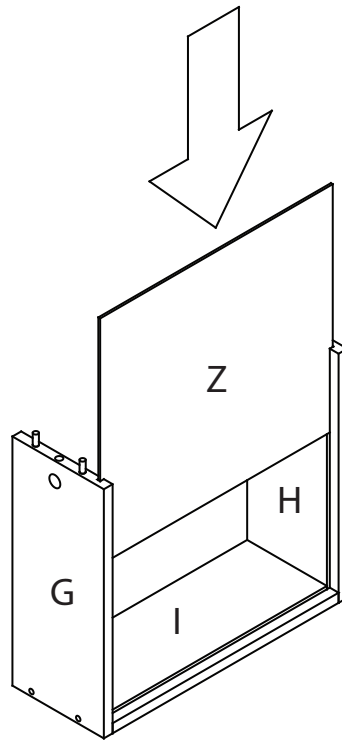
- 9.1) Attach Backply Stoppers (⑩) to the Back Panel (Y) using the Csk Screws (⑪).
- 9.2) Attached the Metal Bracket (⑯) to the edge of the prehole on Side Panel Right (B) and Side Panel Left (A) using a Csk Screws (⑤) and the Screwdriver (⑮).

Step 10



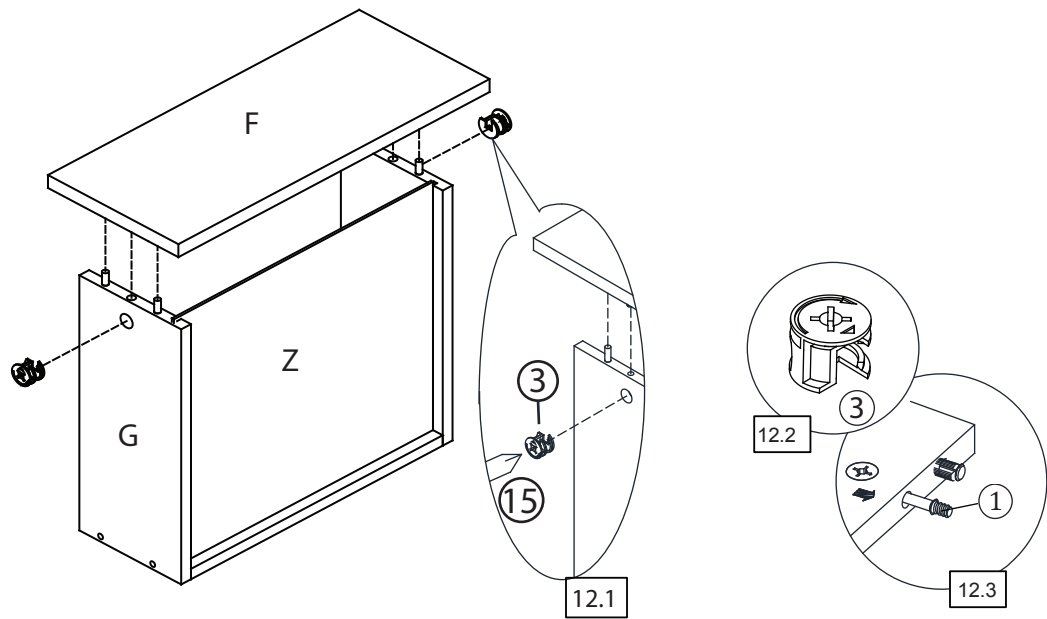
- Attach the Drawer Side Right (H) and the Drawer Side Left (G) to the Drawer Back (I) using the Csk Screws (⑦) and the Screwdriver (⑮).

Step 11



Insert the Drawer Bottom (Z) along the slots on the Drawer Side Right (H) and Drawer Side Left (G).

Step 12



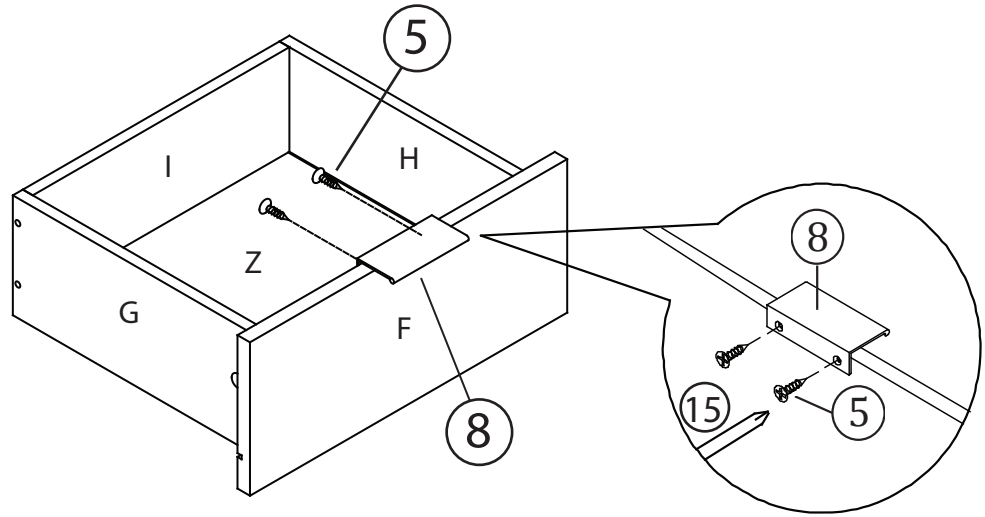
12.1) Insert the Small Cam Locks (③) into the mounting positions on the Drawer Side Right (H) and Drawer Side Left (G) by hand.

12.2) Position the Small Cam Locks (③) directly into the mounting position where the Cam Bolts (①) will be inserted later.

12.3) Insert the Cam Bolts (①) to attach Drawer Front (F) into the mounting positions of Drawer Side Right (H) and Drawer Side Left (G). Then, turn the Small Cam Locks (③) with the Screwdriver (⑮) to lock them in place

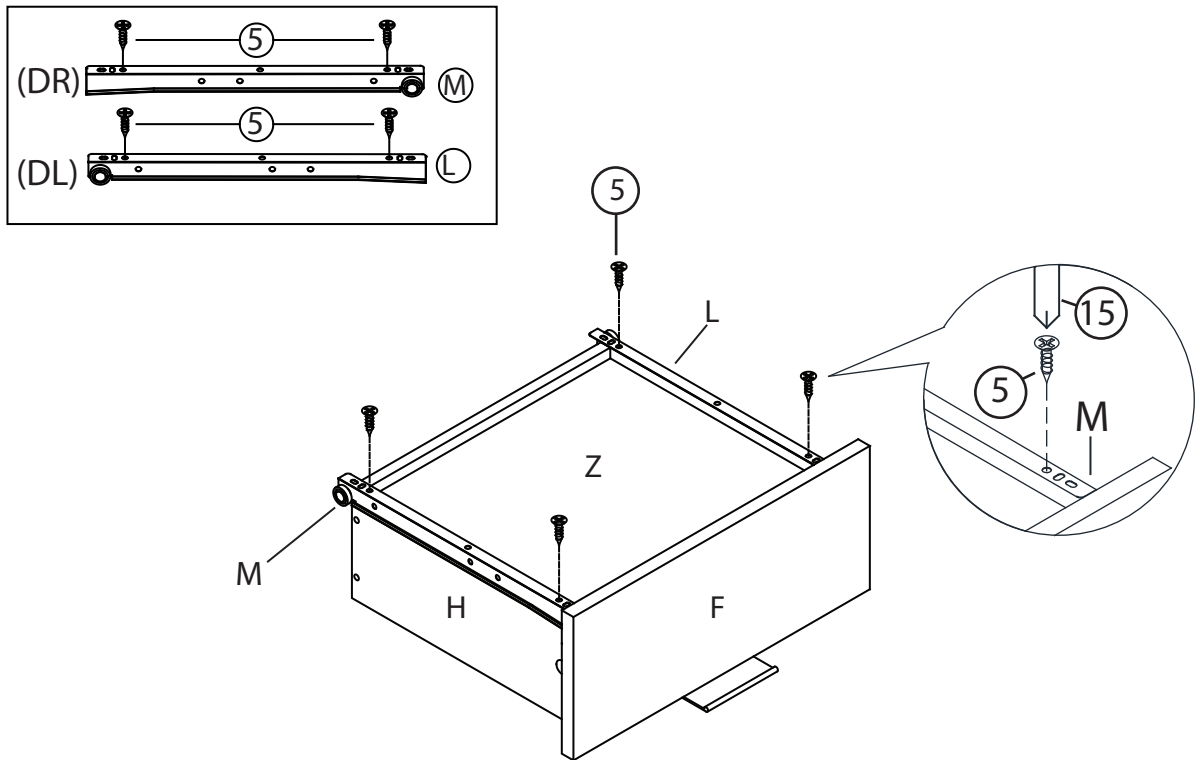
Tighten the screws fully in a sequential manner

Step 13



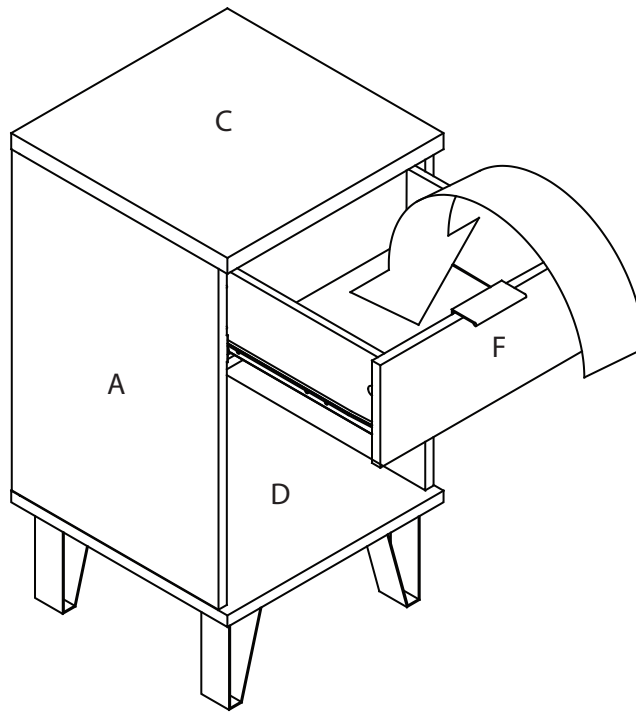
Follow the preholes, attach L-shape Handle ((8)) onto the Drawer Front (F) and secure with Csk Screws ((5)) using the Screwdriver ((15)).

Step 14



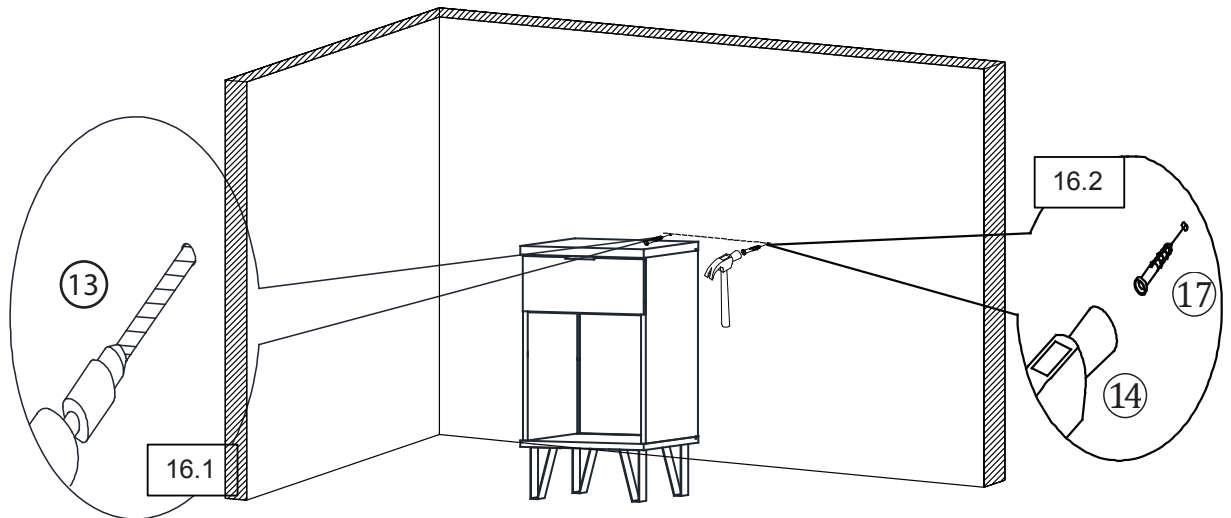
Place the Drawer Slide DR (M) onto the Side Drawer Right (H) and place the Drawer Slide slide DL (L) onto the Drawer Side Left (G) and secure them with two Csk Screws ((5)) on each side using the Screwdriver ((15)).

Step 15



Slide the drawer into place.

Step 16



16.1) Using a Power Drill(13), drill two holes into the wall at the same height as Metal Brackets(16) that you have placed on the Tall End Table.

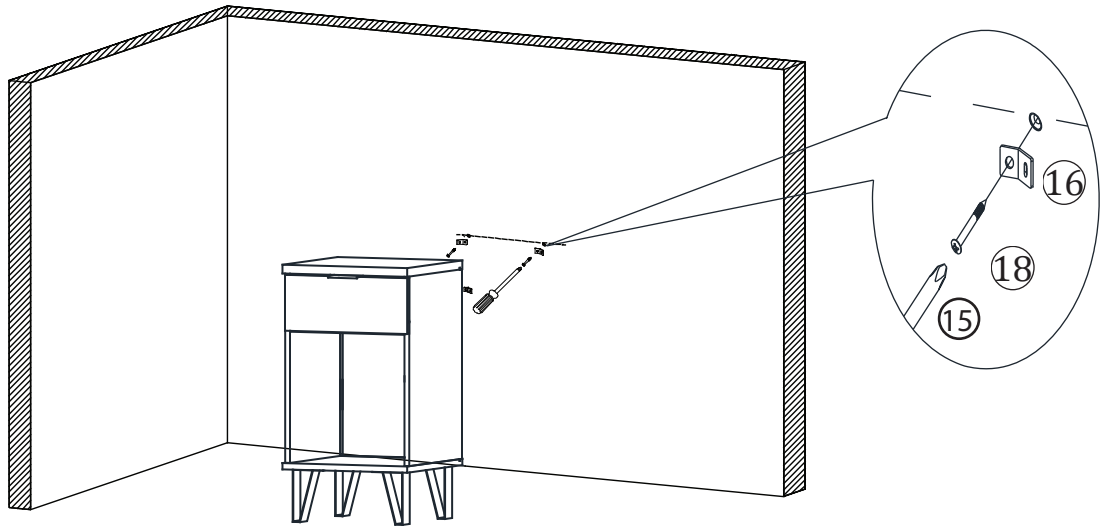
You can mark these points in the following ways:

- 1) Measure the height of the Metal Brackets(16) with a ruler/measuring tape and mark on wall to keep them accurate and at the same height.
- 2) Mark two points on the wall, the same height as the Metal Brackets on the back side.

Note: The Metal Brackets need to be secured to a solid, load bearing surface. Please use a Stud Finder (not supplied) if needed to locate the Wall Frame

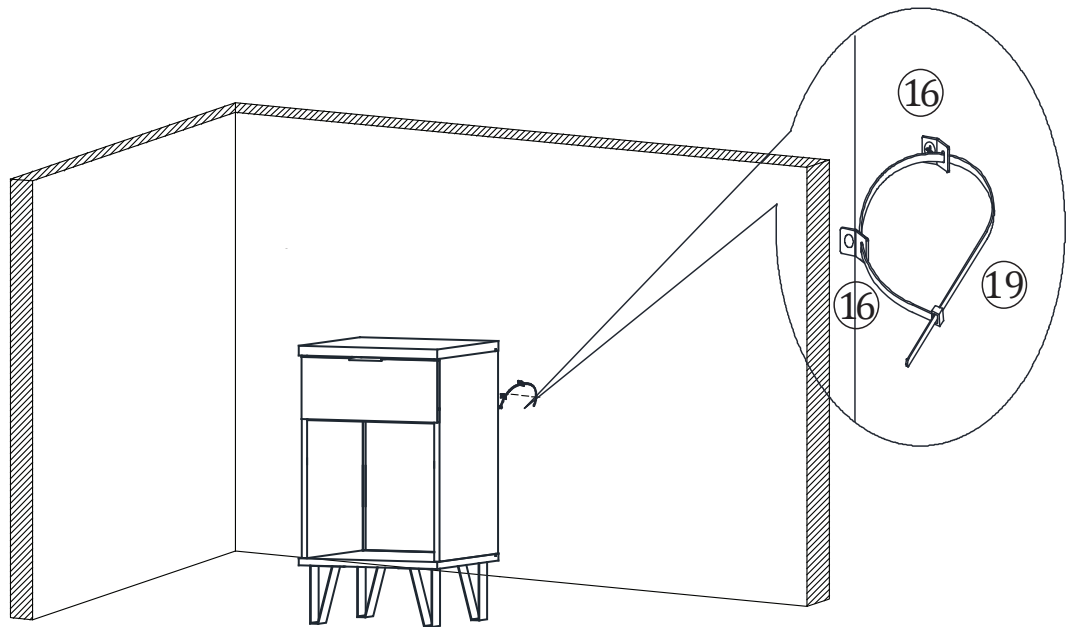
16.2) Insert the Wall Plugs(17) into the holes in the wall, using a Hammer(14).

Step 17



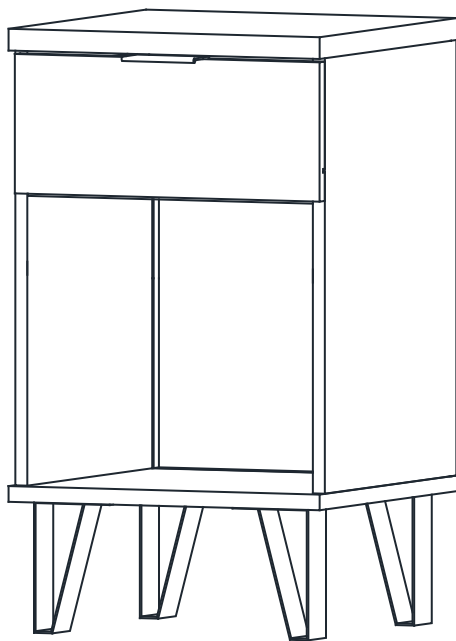
Attach the Metal Brackets (16) to the Wall Plugs (17) using Pan Head Screws (18) and a Screwdriver (15).

Step 18



Move the Tall End Table back against wall. Pull the Tipover Restraint Straps (19) through the Metal Brackets (16) on the wall and the Tall End Table one by one, and pull the Tipover Restraint Straps (19) tight.

Step 19



Your Tall End Table is ready for use.

This Tall End Table can only be used on a flat, level surface

Care & Maintenance



- Furniture may scratch floors. We recommend using furniture pads to protect your floors.



- Do not put hot items directly on furniture surface.



- Do not clean furniture with harsh cleansers or polish.



- Do not place furniture under direct sunlight.



- Do not place furniture near heating or cooling vents.



- Do not write on furniture without a padded barrier to protect the surface.



- Do not place furniture outside . For indoor use only.



- Not for commercial use. For residential use only.



- Stains may be removed with mild soap solution and damp cloth.



- Children should not climb or jump on the furniture.



- Dust and pick-up spills using a clean, non-colored, lint-free cloth.