

# Assembly Instructions

**Caution : You must read this before you proceed**

Please look in under the seat for hardware packs and legs.

## Care & Maintenance



- Not for commercial use. For residential use only.



- Furniture may scratch floors. We recommend using furniture pads to protect your floors.



- Do not put hot items directly on furniture surface.



- Do not clean furniture with harsh cleansers or polish.



- Do not place furniture under direct sunlight.



- Do not place furniture near heating or cooling vents.



- Do not write on furniture without a padded barrier to protect the surface.



- Do not place furniture outside . For indoor use only.



- Stains may be removed with mild soap solution and damp cloth.

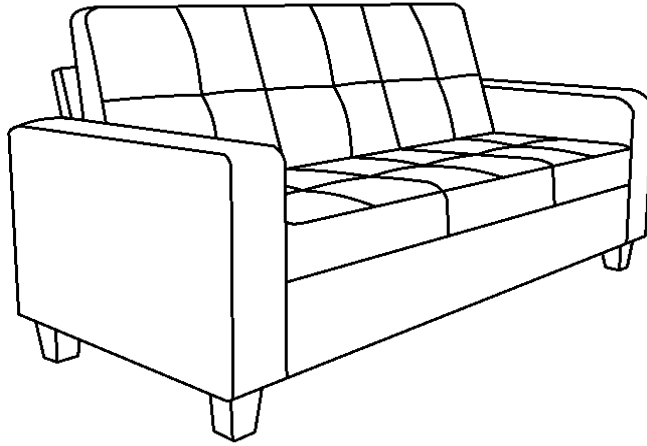


- Children should not climb or jump on the furniture.

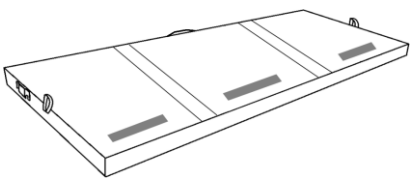
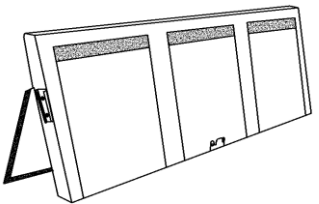
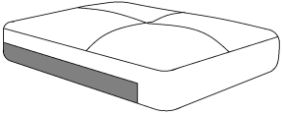
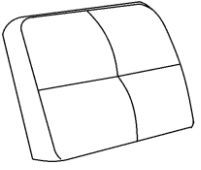
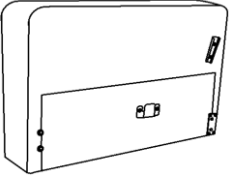


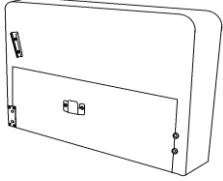

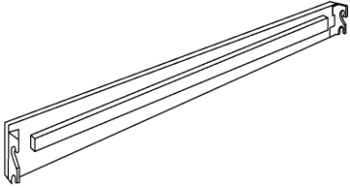
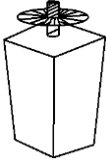

- Dust and pick-up spills using a clean, non-colored, lint-free cloth.

# Sofa


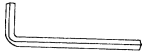


## Parts List

Label	Picture	Description	QTY(pc)
A		Seat Base	1
B		Backrest	1
C		Seat Cushion	3
D		Back Cushion	3
E		Left Arm	1

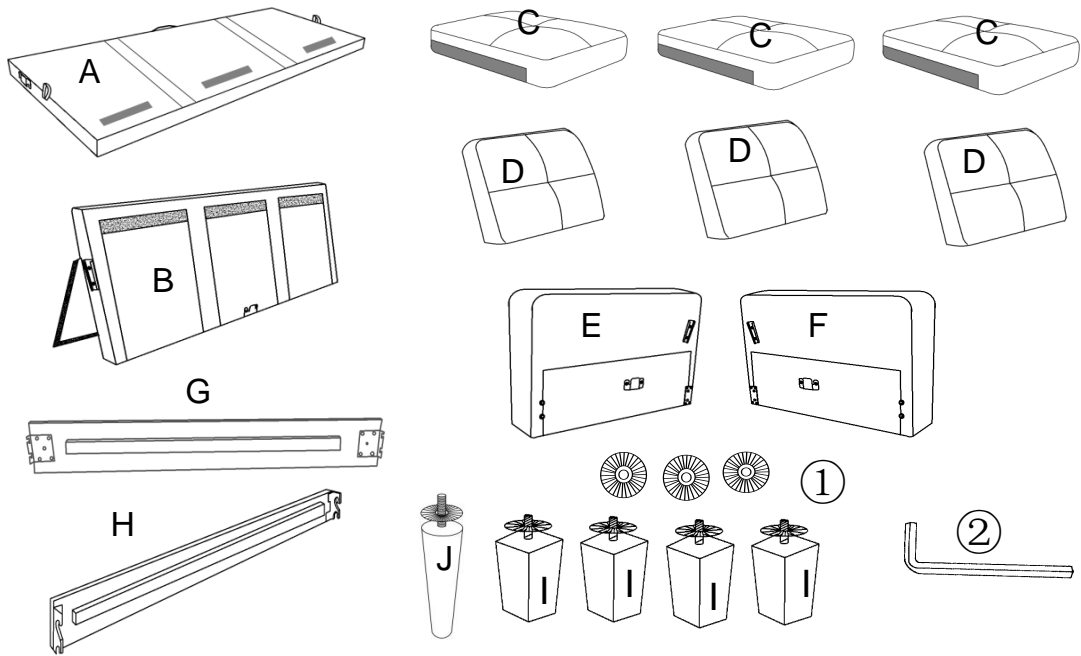
F		Right Arm	1
G		Front Seat Board	1
H		Back Seat Board	1
I		Wooden Leg with 1 plastic gasket	4
J		Middle Leg with 1 Plastic Gasket	1

## Hardware List

①		Plastic Gasket	3
②		Allen Key	1

# Assembly Preparation

Before Beginning Assembly:



- Read instructions, cover to cover-



- Have 2 adults on hand for assembly-



- Do not assemble on flooring or carpet-

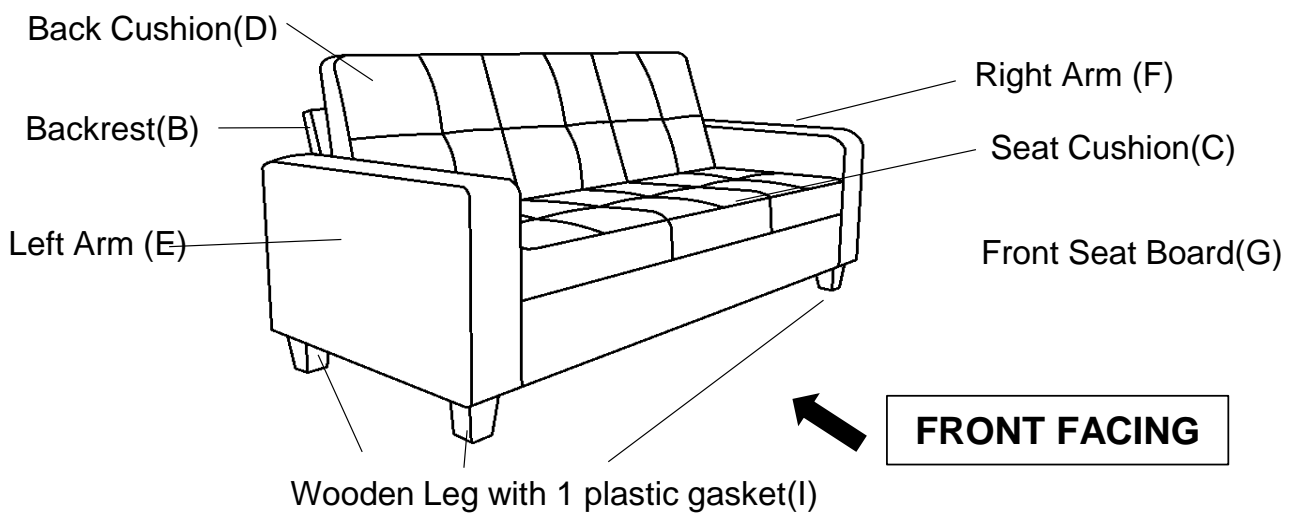


- Assemble on a clean non-marring surface (packing foam)-



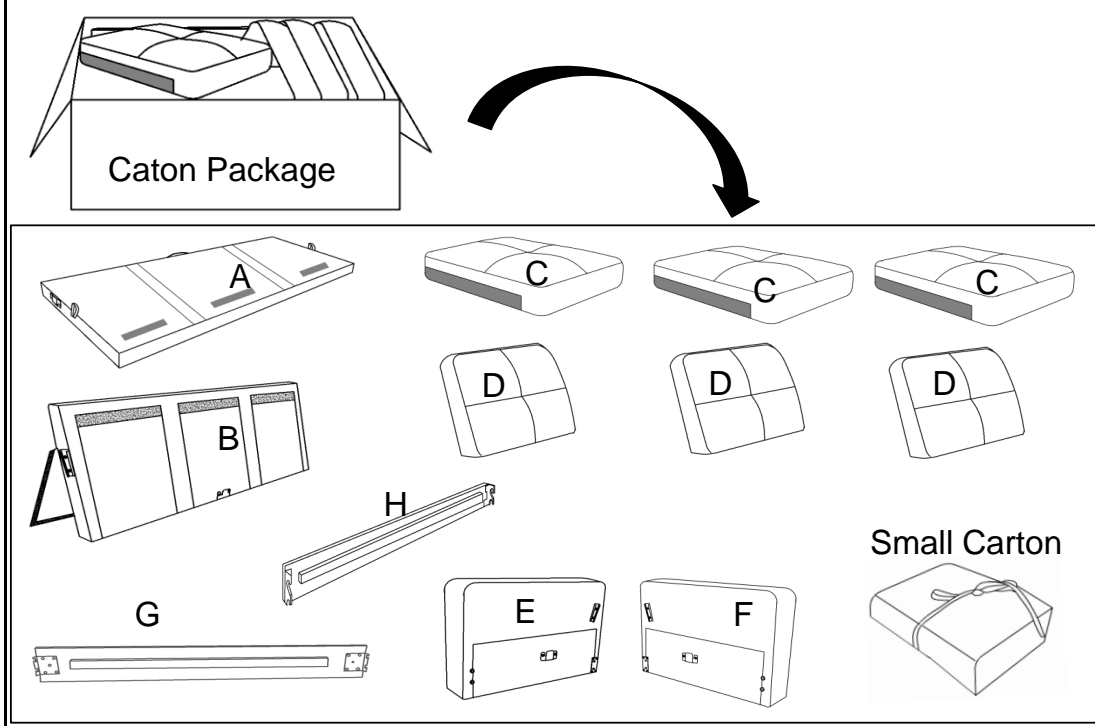
- Save all packaging until finished-

# Assembly Steps



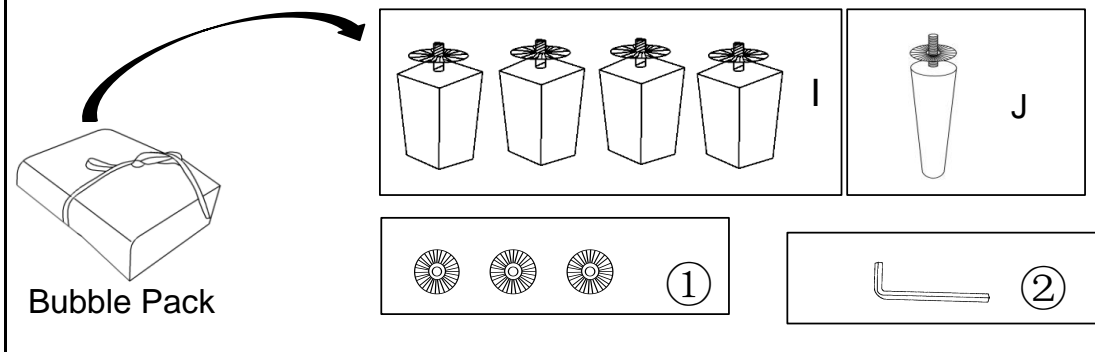
This Sofa has multiple parts and may require about 30 minutes to assemble. To give you an overview of the sofa parts, the above picture is to help you put the various parts into perspective. Please read through the instructions below to familiarise yourself with the parts and steps before assembly.

## Step 1



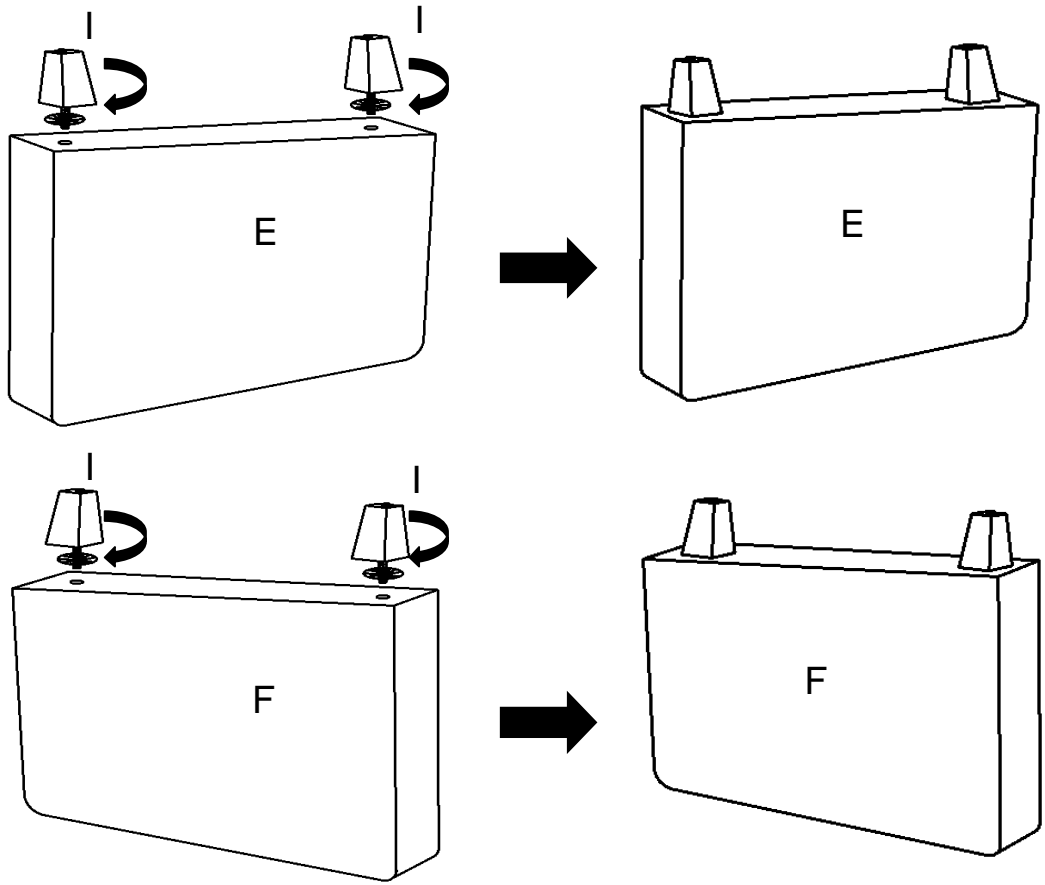
Take the Seat Base(A), Backrest(B), Seat Cushion(C), Back Cushion(D), Left Arm Board(E), Right Arm Board(F), Front Seat Board(G), Back Seat Board(H) and Small Bubble Pack out from the carton and place them on a clean, non-marring surface.

## Step 2



Open the Small Carton to take out the Wooden Leg with 1 Plastic Gaskets(I), Middle Leg with 1 Plastic Gasket(J), Plastic Gasket(①) and Allen Key(②).

### Step 3

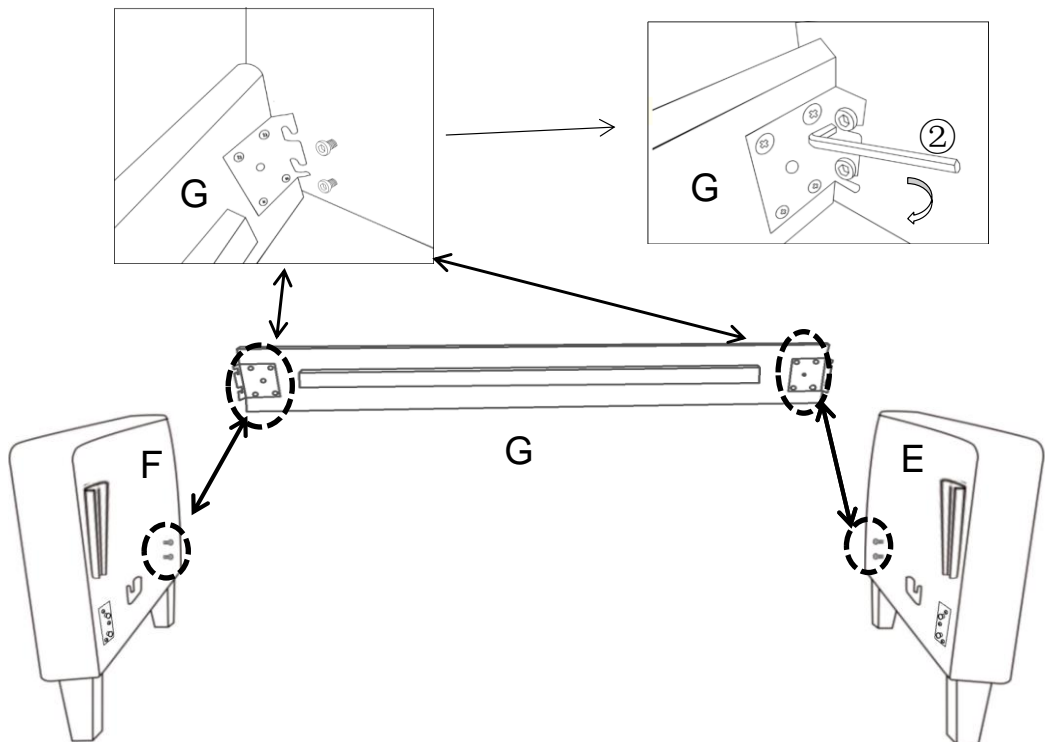


Carefully install the Legs with 1 Plastic Gaskets(①) at the bottom of Left Arm(E) and Right Arm(F). Insert threaded stem into the mounting position at the corner of Left Arm(E) and Right Arm(F), Tighten by turning the Legs clockwise.

Take care of the shape of the Legs and ensure they in the correct postions.

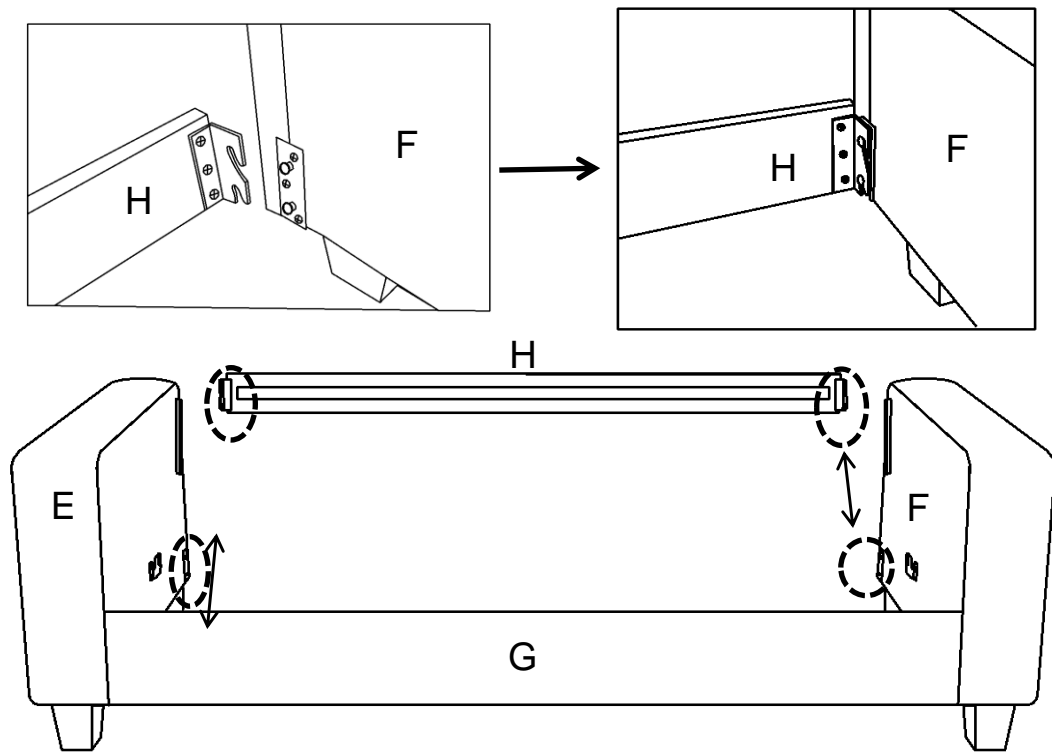
Note:The use of Gaskets are OPTIONAL and are especially useful to help alleviate slight wobbleness. Some Legs may need more than one gasket while some legs may not need anyny.

### Step 4



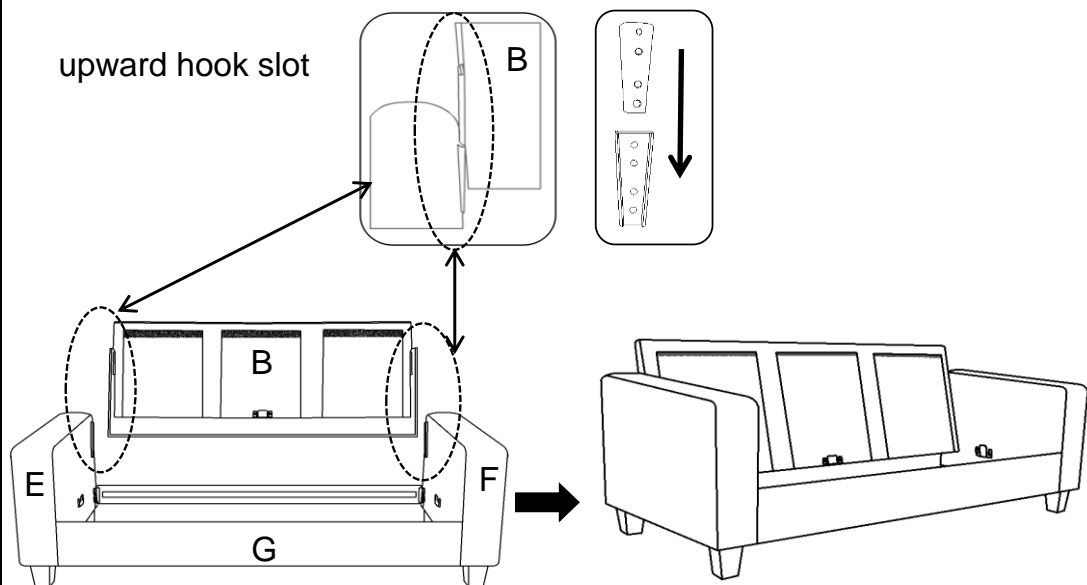
With assistance from your adult partner, position the Left Arm (E) and Right Arm (F) as picture, hold up the Front Seat Board(G) and stand front the both Arms, assemble the Front Seat Board(G) by putting the metal hook on the two raised screws on the front side of both arms and push down make sure to the right position, then by tighten with Allen Key(②). do it one by one and make sure into position.

### Step 5



As to the Step 4, assemble the Hind Seat Board(H) at the behind of Left Arm(E) and Right Arm(F) as picture, don't need to tight with Allen Key.

### Step 6

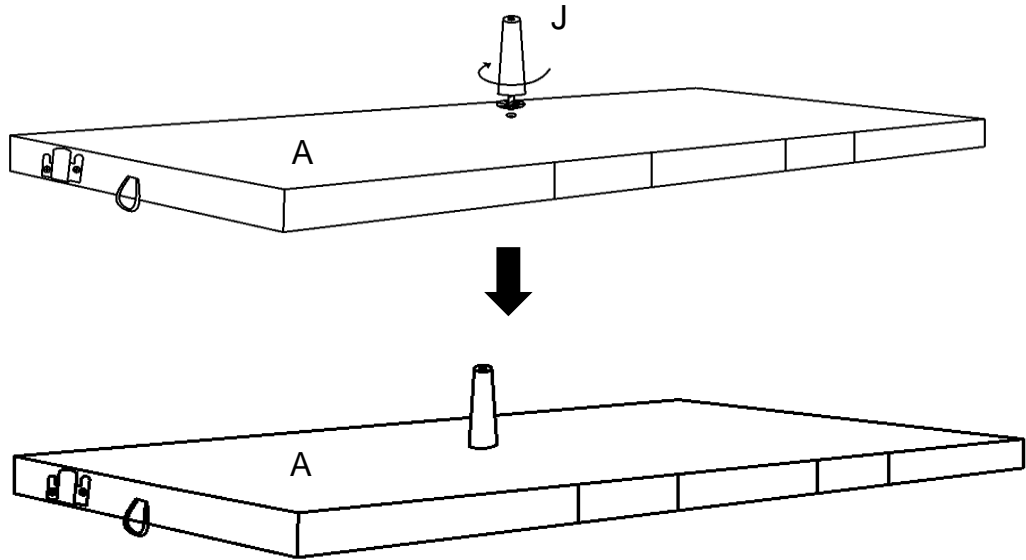


With assistance from your adult partner, hold up the Backrest(B), while standing behind the Seat Base(A).

Align the mounting brackets on both sides of the Backrest(B) with those on the hind of Left Arm (E) and Right Arm (F).

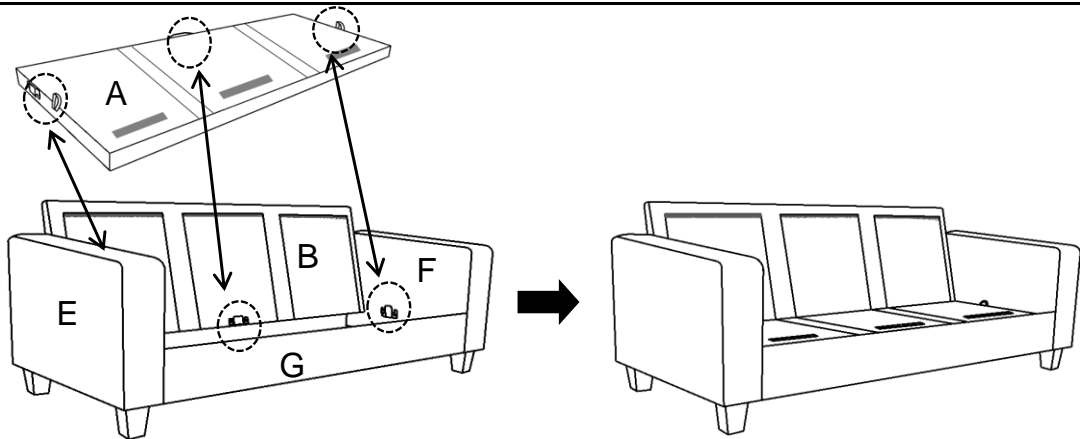
Then slide Backrest(B) downward to make sure it locks into place as pictured

## Step 7



Install the Middle Leg with 1 Plastic Gaskets(J) at the bottom of the Seat Base(A). Insert threaded stem into the mounting position at the bottom of the Seat Base(A), Tighten by turning the Leg clockwise. Take care of the shape of the Legs and ensure they in the correct positions. Note:The use of Gaskets are OPTIONAL and are especially useful to help alleviate slight wobbleness. Some Legs may need more than one gasket whilst some Legs may not need any.

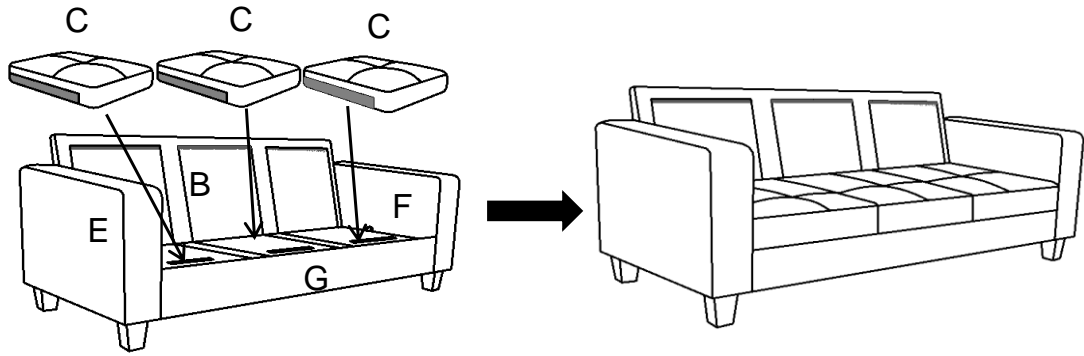
## Step 8



With assistance from your adult partner,hold up the Seat Base(A) on the top of the assembled parts,put the front side of Seat Base(A) over on the rail of Front Seat Board(G) as picture. then slide the two downward hooks on each side of the Seat Base(A) into the upward hooks slot on the Left Arm(E) and Right Arm(F),do it one by one and make sure into the right position.

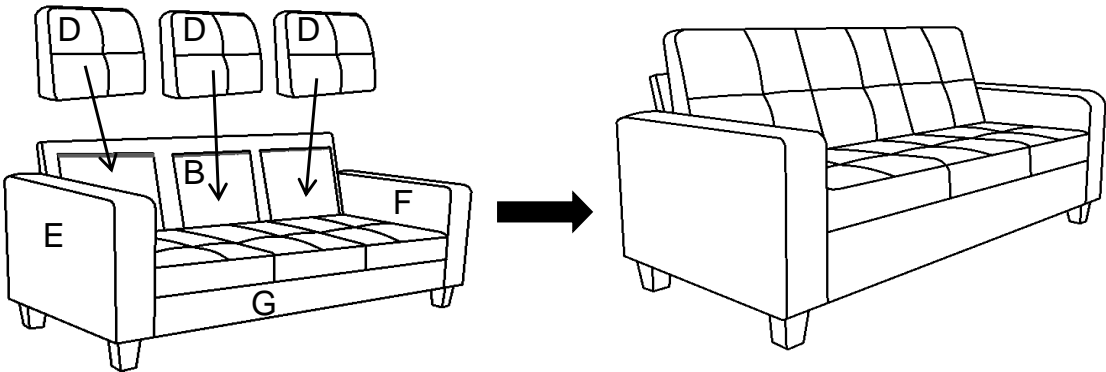


## Step 9



Put the Seat Cushions(C) on the Seat Base(A).

## Step 9



Place the Back Cushions(D) on the Seat Cushions(C) against Backrest(B) and fixed with Velcro.  
Your Sofa is ready for use.  
This Sofa can only be used on a flat, level surface.