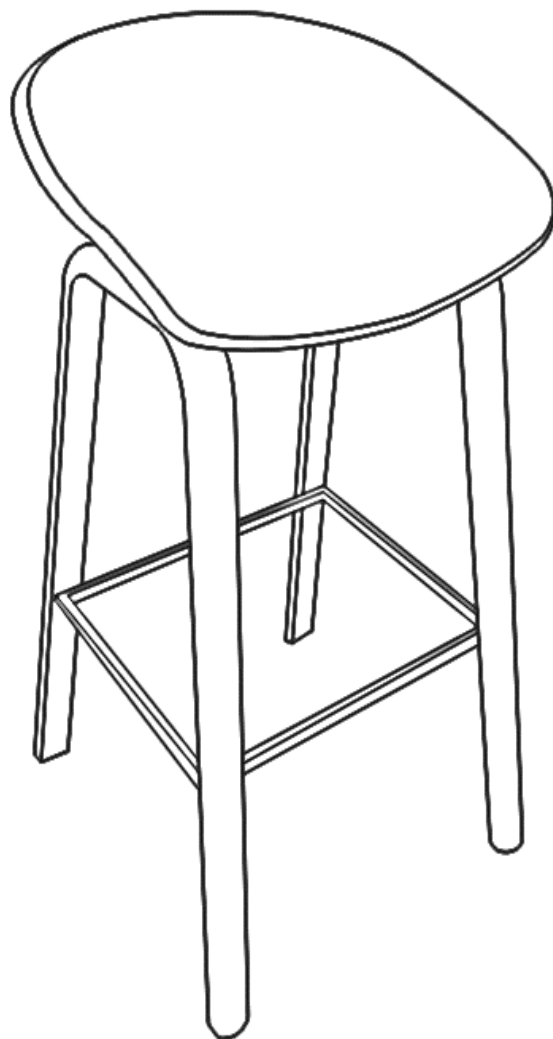





Assembly Instructions

Caution: You must read this before you proceed

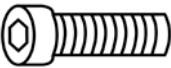
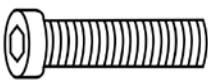


BARSTOOL





Part List

Label	Picture	Description	QTY
A		Seat	1
B		Metal Leg	1
C		Frame	1

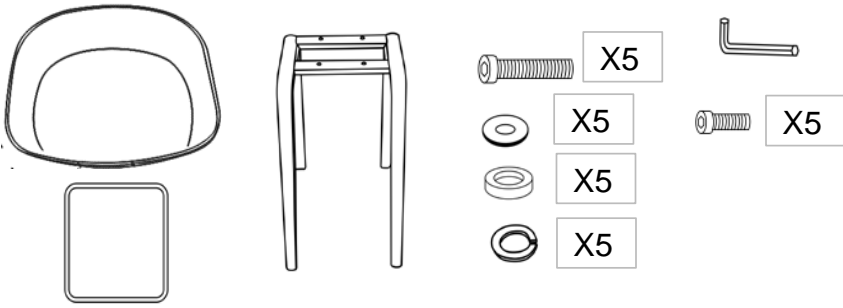
Hardware






Label	Picture	Description	QTY
①		Bolt(M6*25mm)	5
②		Bolt(M6*30mm)	5
③		Flat Washer	5
④		Allen Key	1

⑤		Carrier Ring	5
⑥		Spring Washer	5

Assembly Preparation

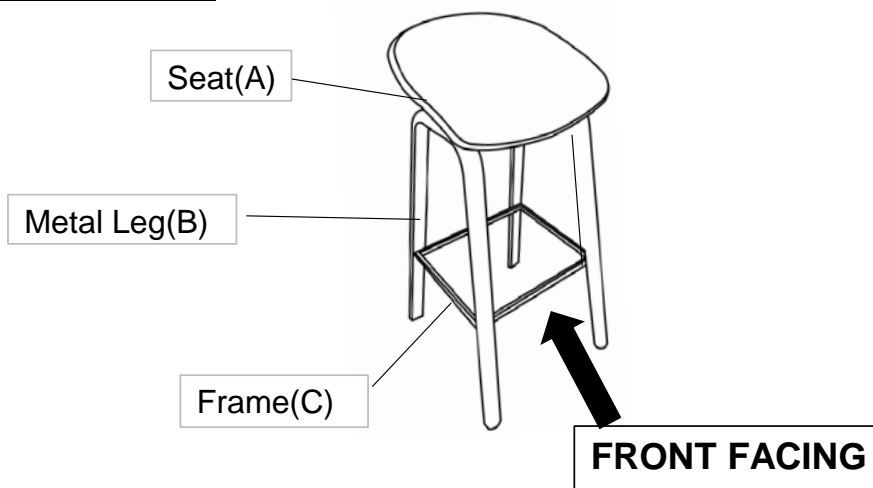
Before Beginning Assembly:



-  • Read instructions, cover to cover-
-  • Have 2 adults on hand for assembly-
-  • Do not assemble on flooring or carpet-
-  • Assemble on a clean non-marring surface (packing foam)-
-  • Save all packaging until finished-

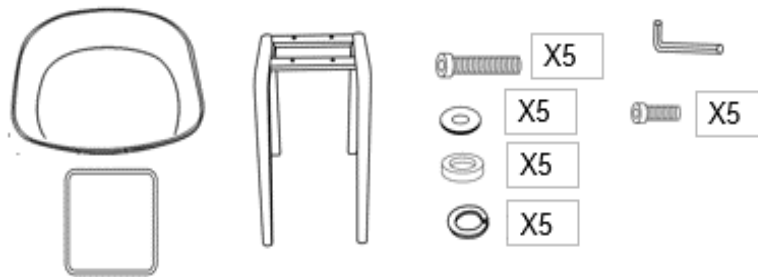
Assembly Steps

OVERVIEW



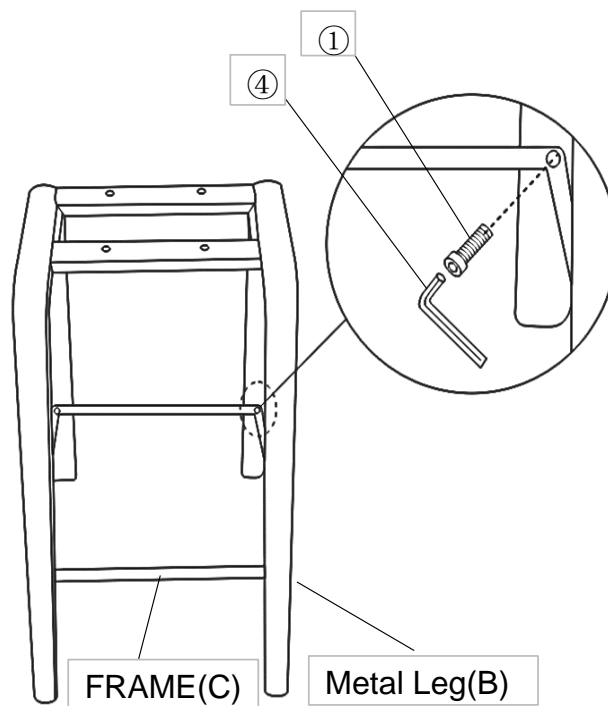
This Barstool has multiple parts and may require up to 20 minutes to assemble. To give you an overview of the Barstool parts, the above picture is to help you put the various parts into perspective. Please read through the instructions below to familiarise yourself with the parts and steps before assembly.

Step 1



Open the carton and place all parts on a clean, non-marring surface.

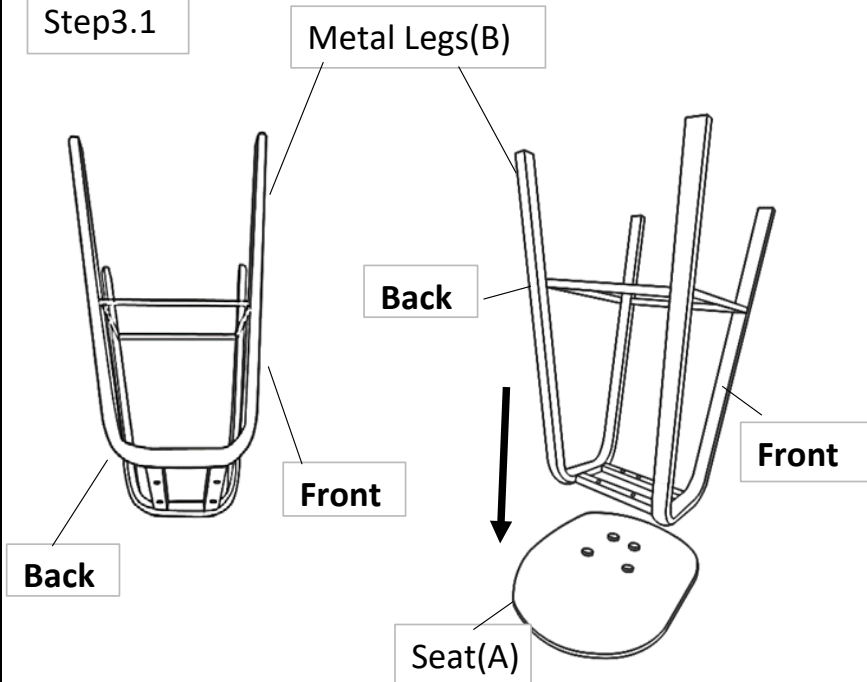
Step 2



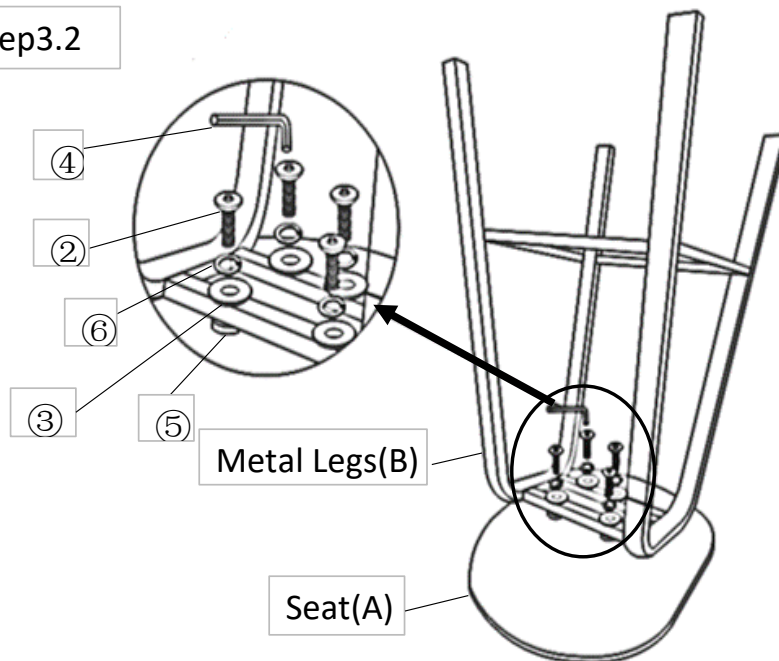
Place the Metal Leg(B) on a clean, non-marring surface.
Install the Frame(C) into Metal Leg(B) align mounting positions between the Metal Legs(B), then attach the Frame(C) to Metal Leg(B) using Bolt(①) with Allen Key(④) .
LOOSELY FASTEN these Bolt(①).

Step 3

Step3.1



Step3.2



Step3.1 First,you must position the Metal Legs(B) lay on a clean, non-marring surface as shown on the left picture.Then you can find the angle of inclination of the back leg will be a little more larger than the front foot,as shown on the left picture.

Place the Seat(A) facedown onto a clean, non-marring surface.

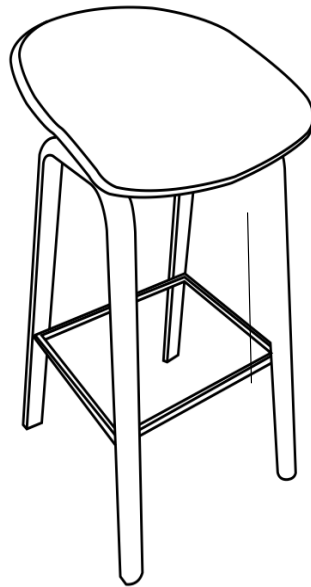
Then place the Metal legs(B) onto the Seat(A).Align the mountings on the Metal legs(B) to the mountings on the Seat(A).as shown on the right picture.

CAUTION:DO NOT MIX THE FRONT AND BACK OF THE Metal Legs(B) WHEN YOU ASSEMBLY THE Seat(A).

Step3.2 Attach the Metal legs(B) to the Seat(A),Carrier Ring(⑤), using Bolt(②),Spring Washer(⑥) ,Flat Washer(③)with Allen Key(④) ,as pictured above.

LOOSELY FASTEN these Bolt(②).

Step 4



Place the Barstool on a level surface.

Inspect it and make sure all parts are adequately connected.

Gently and gracefully, sit into to the Barstool.This will help to align all the parts at all joint areas.

Then get off the Barstool and proceed to tighten the Bolts in a sequential manner.When tightening the Bolts tighten sequentially.





















DO NOT tighten any Bolt fully and then move on towards the next one.

If there are still wobbles, loosen the Bolts and execute this same process.

Your Barstool is ready for use.

This Barstool can only be used on a flat,level surface.

Care & Maintenance

-   ● Do not put hot items directly on furniture surface
 -   ● Do not clean furniture with harsh cleansers or polish.
 -   ● Do not place furniture under direct sunlight.
 -   ● Do not place furniture near heating or cooling vents.
 -   ● Do not write on furniture without a padded barrier to protect the surface.
 -   ● Do not place furniture outside . For indoor use only .
 -   ● Not for commercial use. For residential use only .
 -   ● Stains may be removed with mild soap solution and damp cloth.
 -   ● Children should not climb or jump on the furniture.
-
-   ● Dust and pick-up spills using a clean, non-colored, lint-free cloth .

Questions & Answers about Proposition 65

• What is Proposition 65?

Proposition 65 requires businesses to provide warnings to Californians about significant exposures to chemicals that cause cancer, birth defects or other reproductive harm. These chemicals can be in the products that Californians purchase, in their homes or workplaces, or that are released into the environment. By requiring that this information be provided, Proposition 65 enables Californians to make informed decisions about their exposures to these chemicals.

Proposition 65 also prohibits California businesses from knowingly discharging significant amounts of listed chemicals into sources of drinking water.

Proposition 65 requires California to publish a list of chemicals known to cause cancer, birth defects or other reproductive harm. This list, which must be updated at least once a year, has grown to include approximately 900 chemicals since it was first published in 1987.

• What types of chemicals are on the Proposition 65 list?

The list contains a wide range of naturally occurring and synthetic chemicals that include additives or ingredients in pesticides, common household products, food, drugs, dyes, or solvents. Listed chemicals may also be used in manufacturing and construction, or they may be byproducts of chemical processes, such as motor vehicle exhaust.

• What does a warning mean?

If a warning is placed on a product label or posted or distributed at a workplace, a business, or in rental housing, the business issuing the warning is aware or believes that it is exposing individuals to one or more listed chemicals.

By law, a warning must be given for listed chemicals unless the exposure is low enough to pose no significant risk of cancer or is significantly below levels observed to cause birth defects or other reproductive harm.

• Where can I get more information on Proposition 65?

If you have specific questions on the administration or implementation of Proposition 65, you can contact OEHHA's Proposition 65 program at P65.Questions@oehha.ca.gov, or by phone at (916) 445-6900.