

Assembly Instructions

Caution: You must read this before you proceed

Care & Maintenance



- Not for commercial use. For residential use only.



- Furniture may scratch floors. We recommend using furniture pads to protect your floors.



- Do not put hot items directly on furniture surface.



- Do not clean furniture with harsh cleansers or polish.



- Do not place furniture under direct sunlight.



- Do not place furniture near heating or cooling vents.



- Do not write on furniture without a padded barrier to protect the surface.



- Do not place furniture outside . For indoor use only.



- Stains may be removed with mild soap solution and damp cloth.

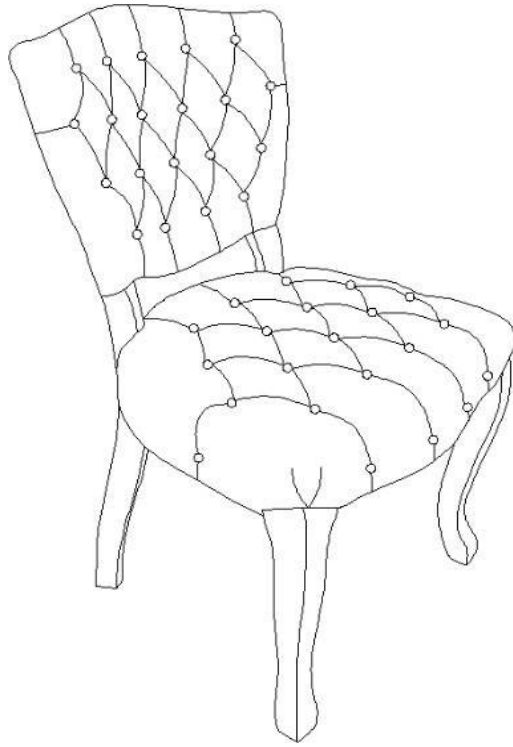


- Children should not climb or jump on the furniture.




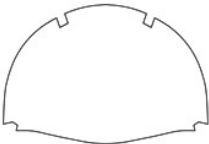
- Dust and pick-up spills using a clean, non-colored, lint-free cloth.

Chair




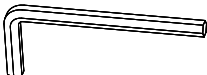


Part List

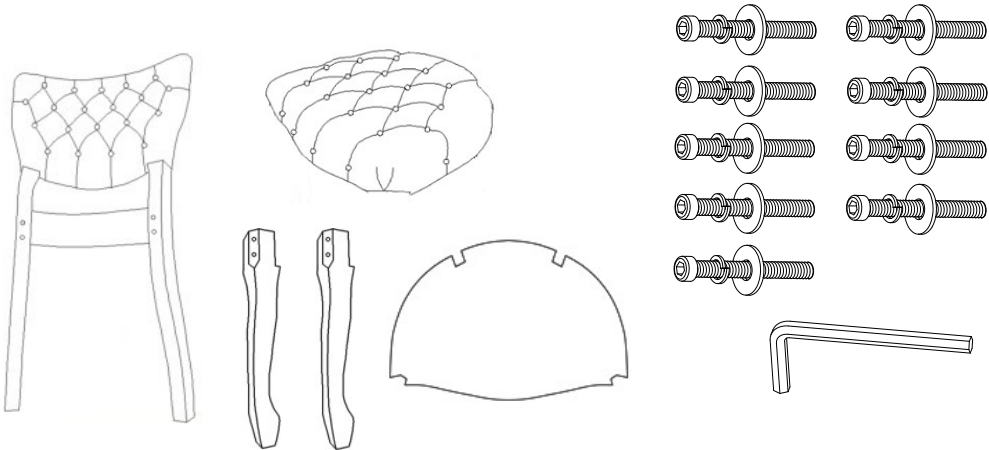
Label	Picture	Description	QTY
A	A line drawing of the chair seat, showing the tufting pattern and the shape of the seat.	Seat	1
B	A line drawing of the chair backrest and legs, showing the tufting pattern on the backrest and the four legs.	Back with Legs	1

C		Front Leg	2
D		Seat Base Cover	1

Hardware

Label	Picture	Description	QTY
①		Bolt (M8*60MM)	9
②		Spring Washer	9
③		Washer	9
④		Allen Key	1

Assembly Preparation

<p>Before Beginning Assembly:</p>	
-----------------------------------	--



- Read instructions, cover to cover-



- Have 2 adults on hand for assembly-



- Do not assemble on flooring or carpet-



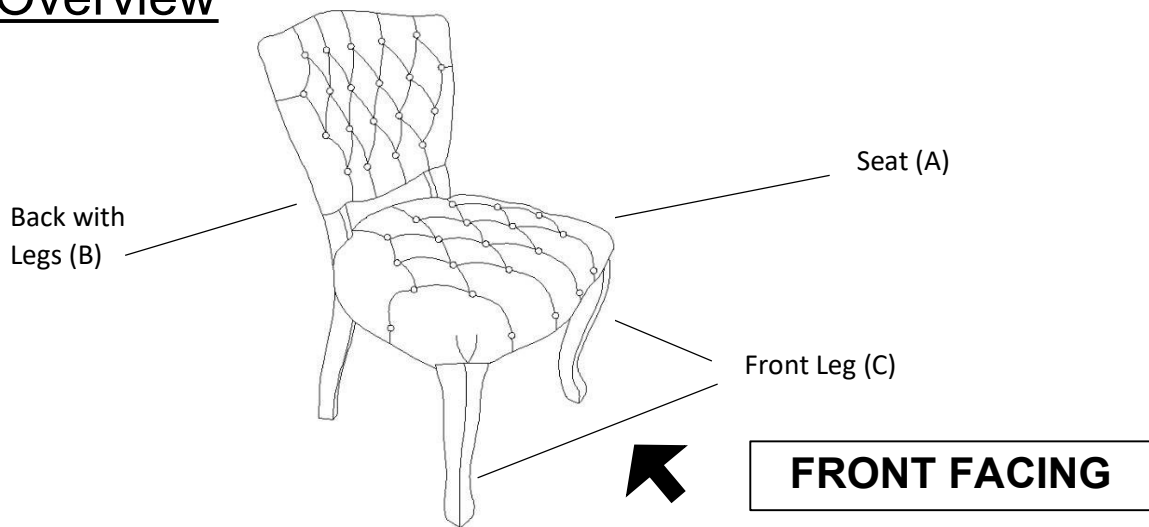
- Assemble on a clean non-marring surface (packing foam)-



- Save all packaging until finished-

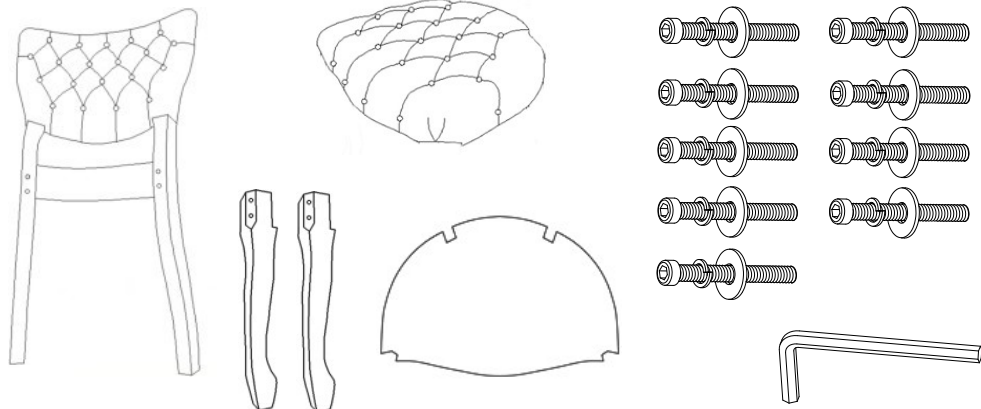
Assembly Steps

Overview



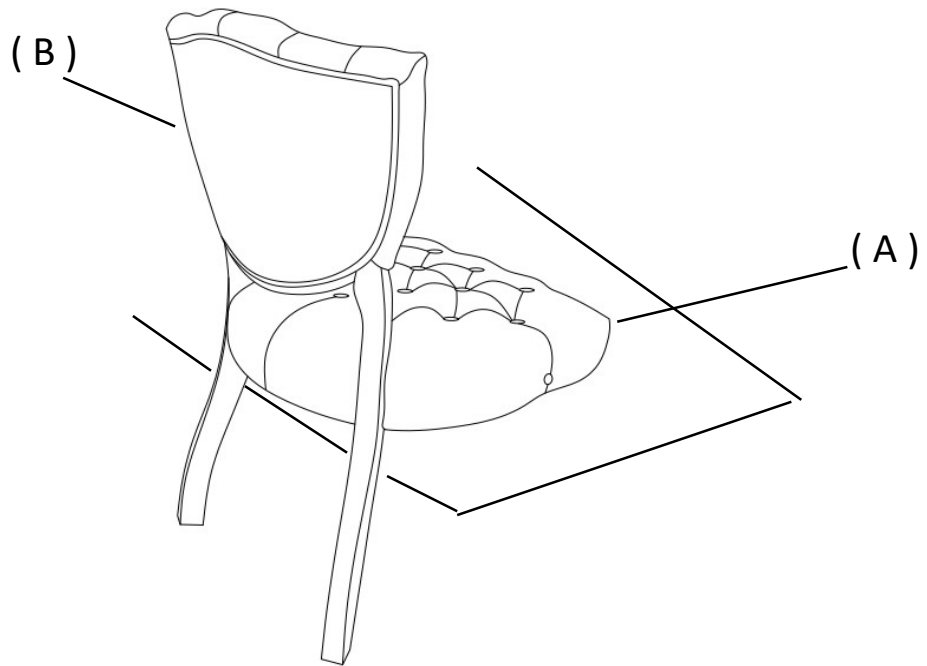
This Chair has multiple parts and may require up to 30 minutes to assemble. To give you an overview of the Chair parts, the above picture is to help you put the various parts into perspective. Please read through the instructions below to familiarise yourself with the parts and steps before assembly.

Step 1



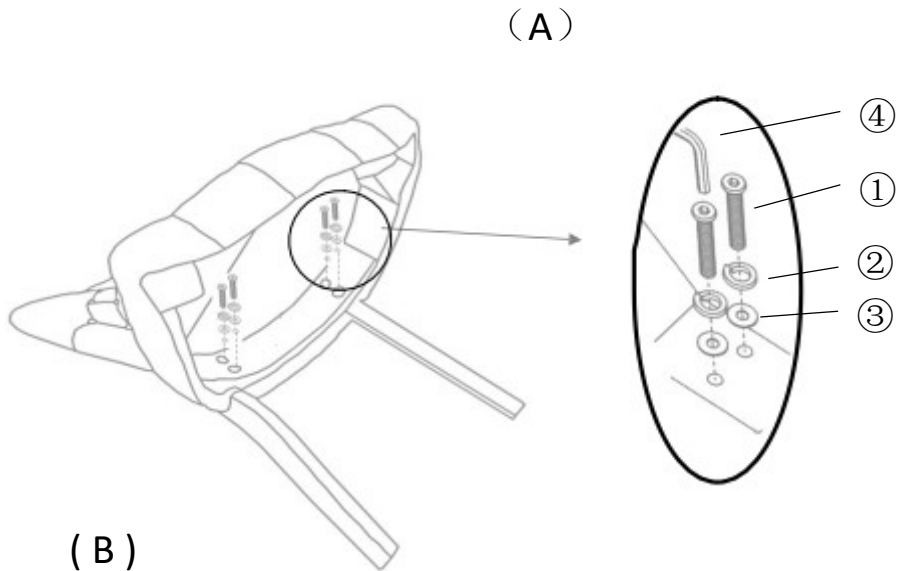
Unpack and place all parts on a clean, non-marring surface.

Step 2



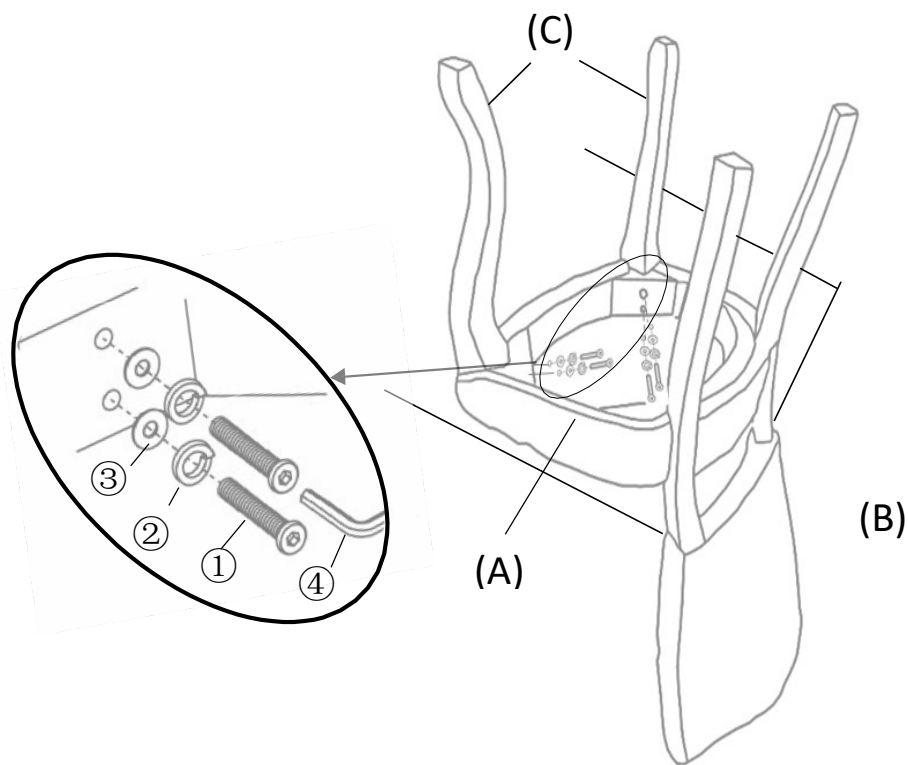
Align the mounting positions on the Back with Legs(B) to the mountings on the Seat(A).

Step 3



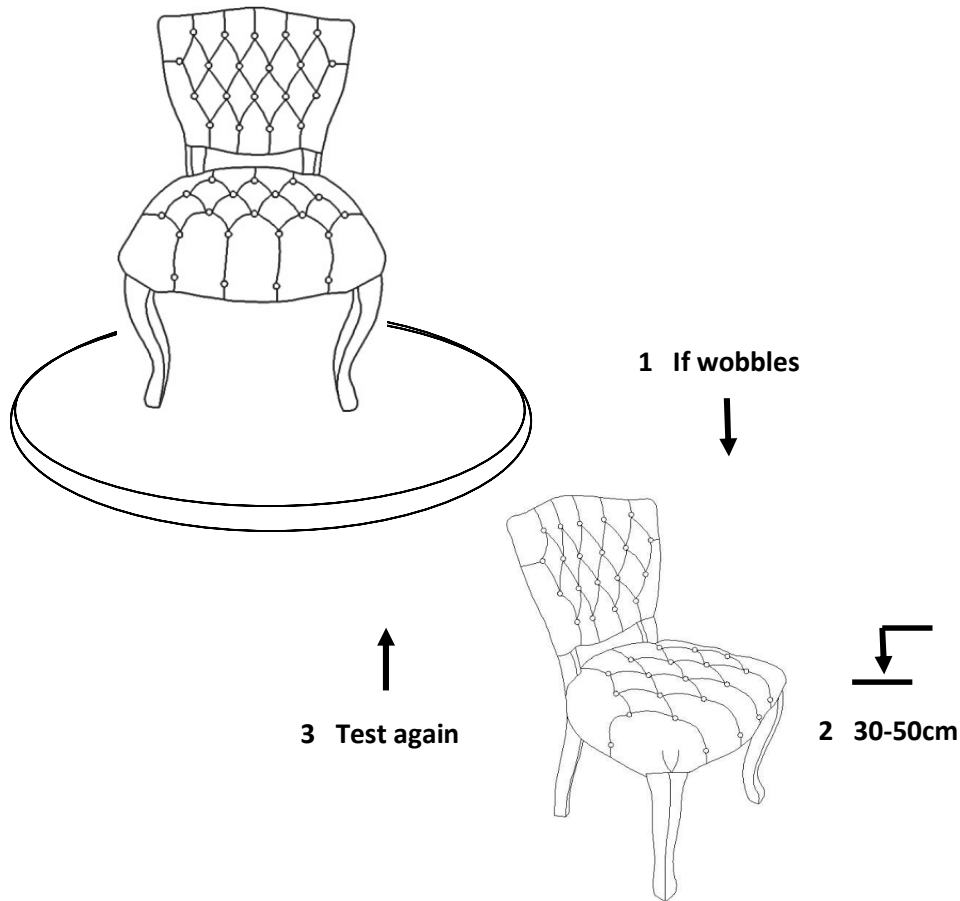
Attach Back with Legs(B) to Seat(A) using Bolts(①), Spring Washers (②) and Washers(③) with Allen Key(④) as shown on the picture above.
Note: If the mounting positions cannot be aligned well which hinders the installation, then sway the Seat(A) lightly when locking the Bolts, this action could help prevent the Bolts from getting stuck and ensure smooth assembly.
Do not fully tighten the Bolts.

Step 4



Place the Seat(A) and Back with Legs(B) on the side of a table with the Seat(A) facedown, as seen in the picture.
Insert Front Legs(C) into the mounting positions of Seat(A) and attach using Bolts(①), Spring Washers(②) and Washers(③) with Allen Key (④).
Do not fully tighten the Bolts.

Step 5



Ensure that all the Bolts are fully driven in and locked in.
Place the Chair on a level Surface to check if it wobbles.
If it is wobbles, lift the Chair some 30cm to 50cm high from the ground.
Keep your feet and toes well away from the drop zone.
Drop chair freely and vertically, with the four legs hitting the ground at the same time.

This **Drop Test** will help to ensure that all the Bolts and gaps to all reach full alignment status.

Test again for evenness on a **Level Surface**.

If no wobbles are found, proceed to tighten all the Bolts.

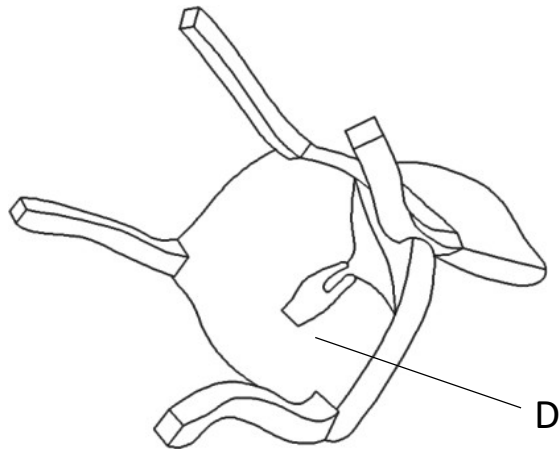
When tightening the Bolts, tighten sequentially.

Do not fully tighten any Bolt fully and then move on towards the next one.

This may cause the frame to warp.

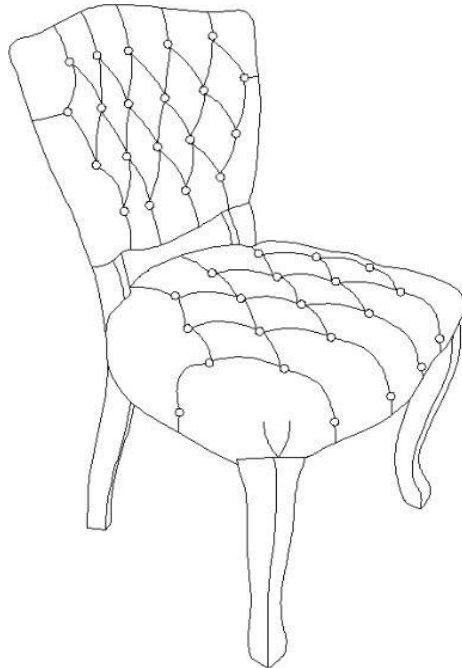
If there are still wobbles, loosen the Bolts and execute this same drop test.

Step 6



Finally, seal the Seat Base Cover (D) back on to the underside of the seat.

Step 7



Your Chair is ready for use.
This Chair can only be used on a flat, level surface.