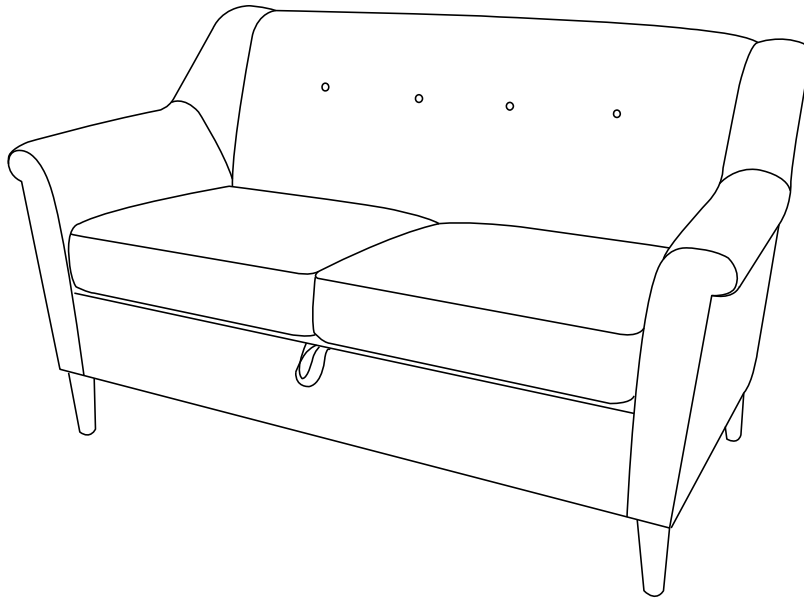


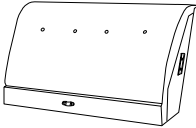


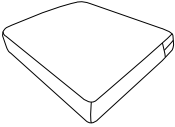
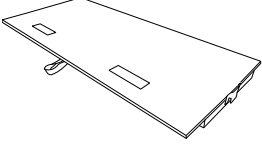
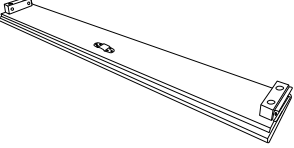
# Assembly Instructions

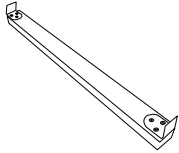


Caution: You must read this before you proceed.

## SOFA




### Parts List

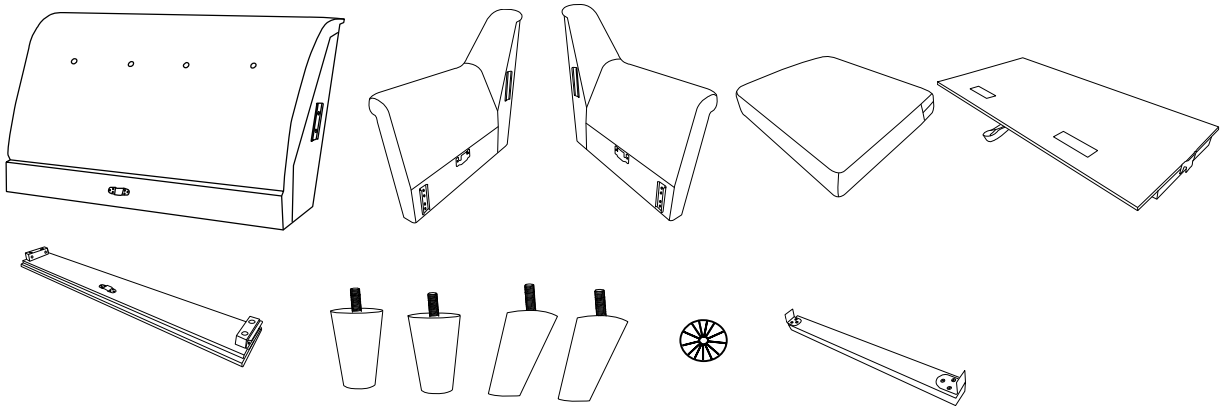
Label	Picture	Description	Qty
A		Backrest	1
B1		Right Armrest	1
B2		Left Armrest	1
C		Cushion	2
D		Seat Panel	1
E		Front Panel	1

F		Middle Panel	1
G		Front Leg	2
H		Back Leg	2

# Hardware

Label	Picture	Description	Qty
①		Gasket	7

## Assembly Preparation



- Read instructions, cover to cover-



- Have 2 adults on hand for assembly-



- Do not assemble on flooring or carpet-



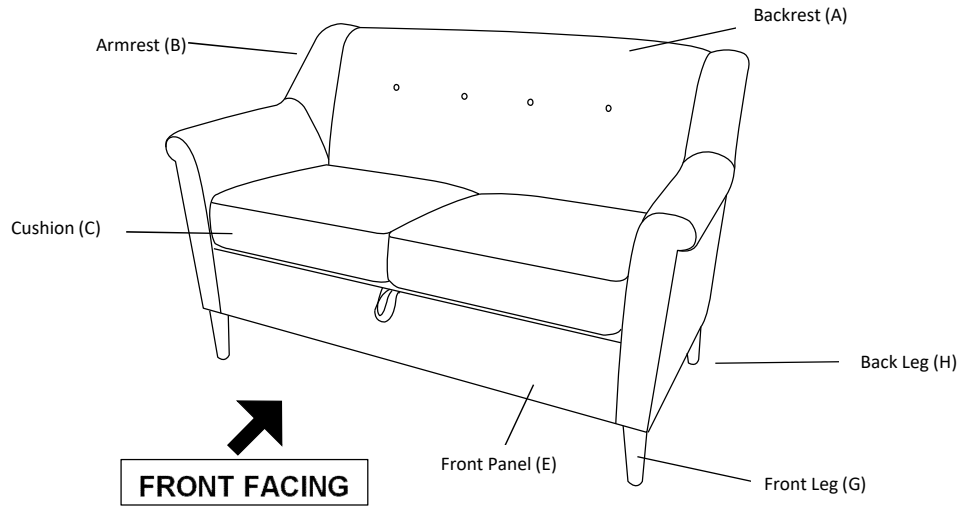
- Assemble on a clean non-marring surface (packing foam)-



- Save all packaging until finished-

# Assembly Steps

## OVERVIEW

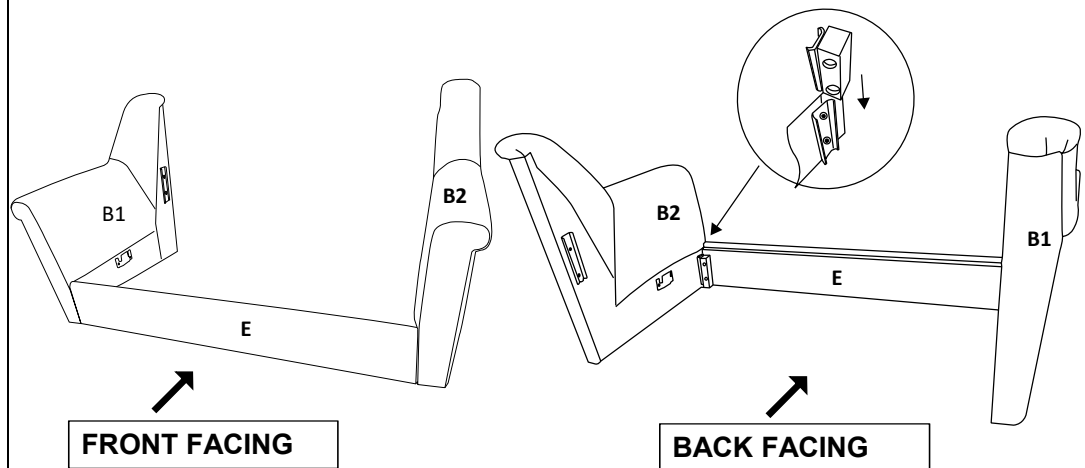


This Sofa has multiple parts and may require up to 30 minutes to assemble.

To give you an overview of the Sofa parts, the above picture is to help you put the various Sofa parts into perspective.

Please read through the instructions below to familiarise yourself with the parts and steps before assembly.

## Step 1



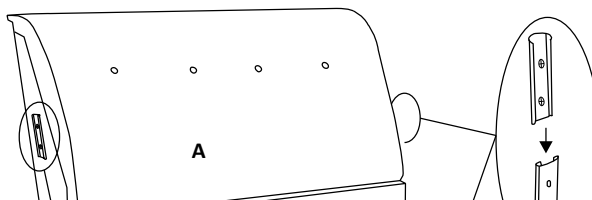
Open the carton and place all the parts on a clean, non-marring surface.

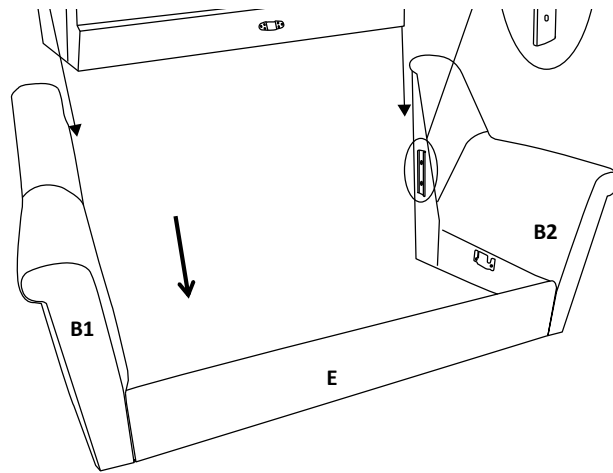
Slide the Front Panel(E) lock into the Armrest(B1) rail as shown in the picture.

Slide the Front Panel(E) lock into the Armrest(B2) rail as shown in the picture.

**Assistance from an adult partner is needed during the assembly process.**

## Step 2

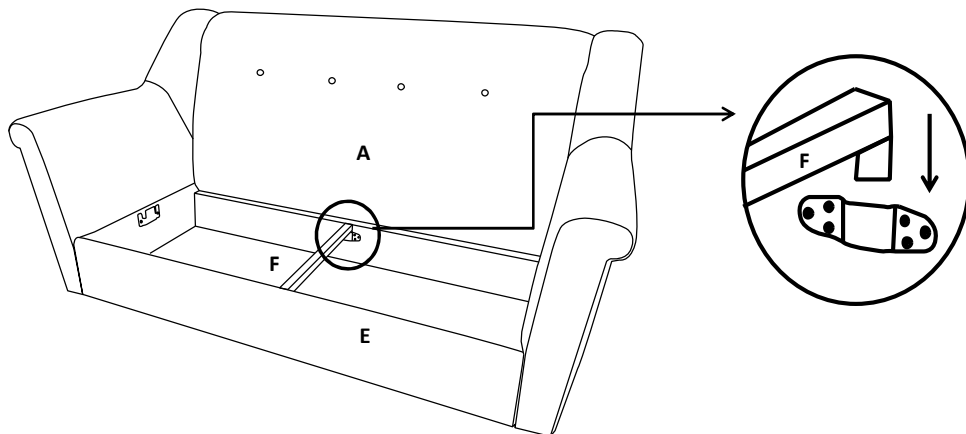




With the assistance from your partner, lift the Backrest(A) up.  
Align the rails on the Backrest(A) with the Armrest(B1&B2) locks.  
Then push the Backrest(A) downwards until it is fully slotted and locked into position.

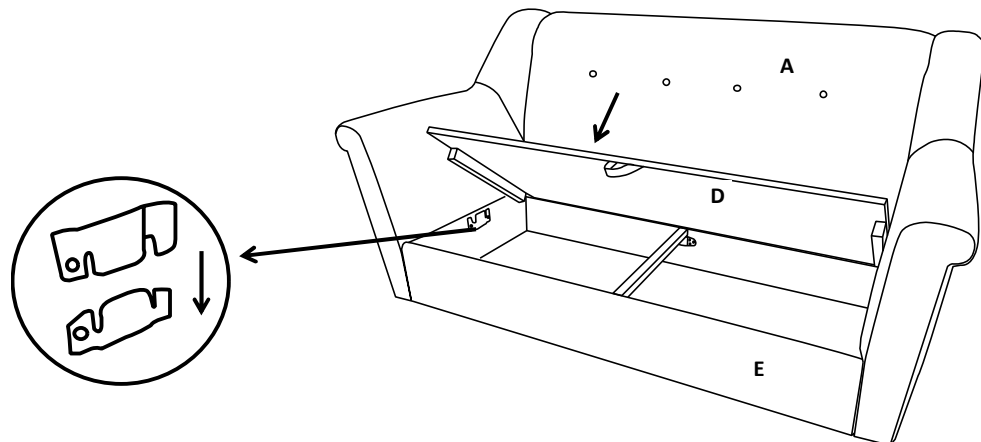
**Both sides of the Backrest(A) must be slid into position at the SAME TIME until it fully locks in the housings.**  
**Assistance from an adult partner is needed during the assembly process.**

### Step 3



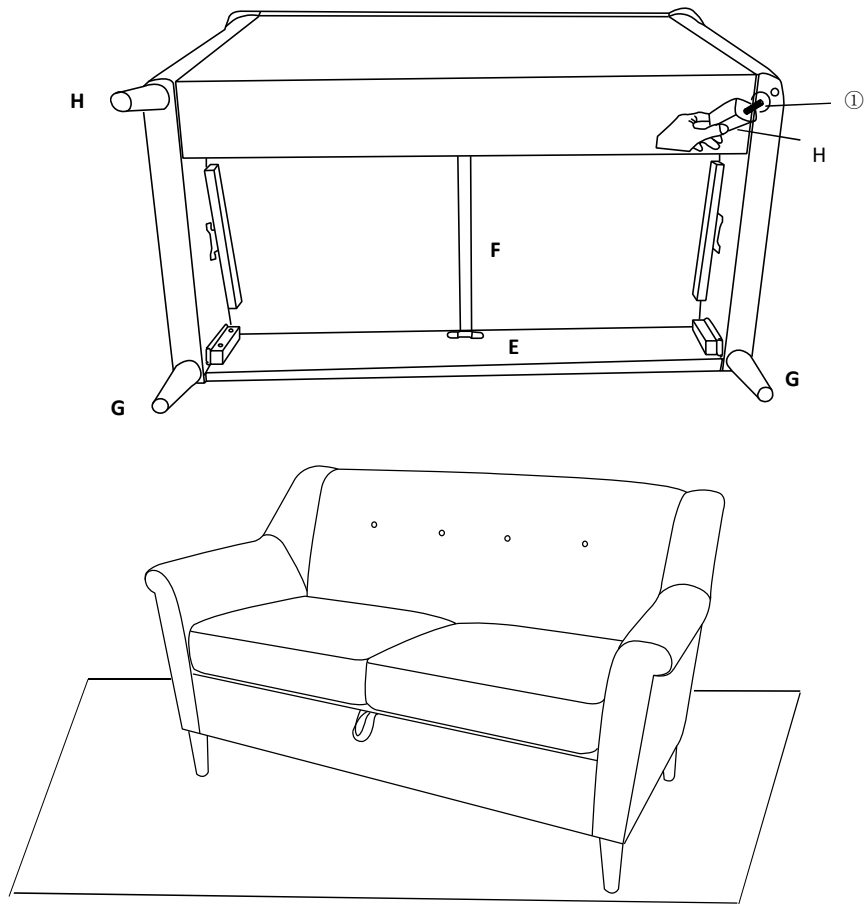
Align both sides of Middle Panel(F) with housings on Front Panel(E) and Backrest(A).  
Then push the Middle Panel(F) downwards until it is fully slotted and locked into position.

### Step 4



Put the inside edge of Seat Panel(D) on Seat frame first as pictured  
Then lower the Seat Panel(D) aligning rails and pushing down until they lock into position.

### Step 5



Test for stability

Install the Front Legs(G) and Back Legs(H) into the bottom of the Seat by placing a Gasket(①) onto the threaded stem of the Legs.

And then insert the threaded stem into the threaded mounting position at each Corner of the Bottom of the Seat.

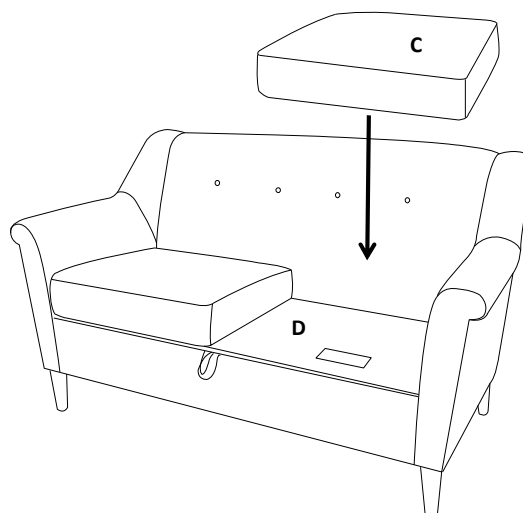
Tighten by turning the Legs clockwise.

**Note:**The use of Gaskets(①) are **OPTIONAL** and are especially useful to help alleviate slight wobbles. Some Legs may need more than one Gasket whilst some Legs may not need any.

Position Sofa right side up and test for stability on a Level Surface.

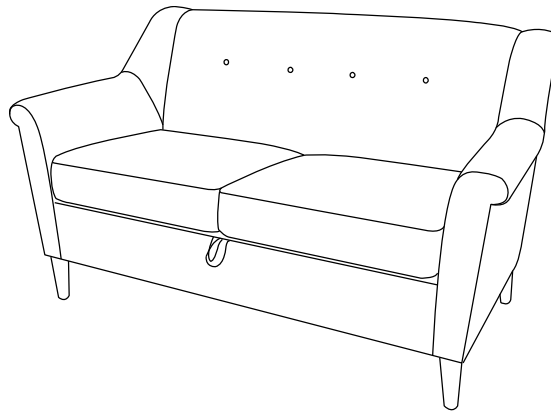
Add or remove Gaskets(①) where needed to achieve stability.

### Step 6























Place the Seat Cushions(C) onto the Sofa.

**Step 7**



Your Sofa is ready for use.  
**This Sofa can only be used on a flat, level surface.**

## Care & Maintenance

-   ● Do not put hot items directly on furniture surface
  -   ● Do not clean furniture with harsh cleansers or polish.
  -   ● Do not place furniture under direct sunlight.
  -   ● Do not place furniture near heating or cooling vents.
  -   ● Do not write on furniture without a padded barrier to protect the surface.
  -   ● Do not place furniture outside . For indoor use only .
  -   ● Not for commercial use. For residential use only .
  -   ● Stains may be removed with mild soap solution and damp cloth.
  -   ● Children should not climb or jump on the furniture.
- 
-   ● Dust and pick-up spills using a clean, non-colored, lint-free cloth .

### What is Proposition 65?

Proposition 65 is a California law that requires warning labels on products that may contain one of more than 800-plus chemicals or ingredients that the California Office of Environmental Health Hazard Assessment (OEHHA) has deemed to cause cancer or other reproductive toxicity.

Chemicals and elements on this list include wood dust, brass, and other everyday substances, which can be found in very common household items, such as: lamps, tableware, jewelry, crystal glasses, electric cords, beauty products, automobiles, and furniture.

### Why Did I Find a Proposition 65 Warning on My Home Goods Product?

We include Proposition 65 warnings on all of our products because there is always a chance that one of the 800-plus common chemicals and ingredients listed under this law could potentially be on our furniture or packing materials. We risk large fines under this law, if we don't include this warning.

### Should I worry?

We realize you may be worried finding this warning on our products, but we want to reassure you that the hazardous exposure limits for any of these chemicals have never been found on furniture products that we've shipped to our customers. Additionally, this warning label is very common and can be found on almost every piece of furniture sold in the state of California.

### Just How Common Are Proposition 65 Warnings?

Proposition 65 warnings have become so common in California that it is hard to take a trip to a local bank, grocery store, or restaurant without finding at least one warning. In fact, even the Disneyland Resort has a Proposition 65 warning:

