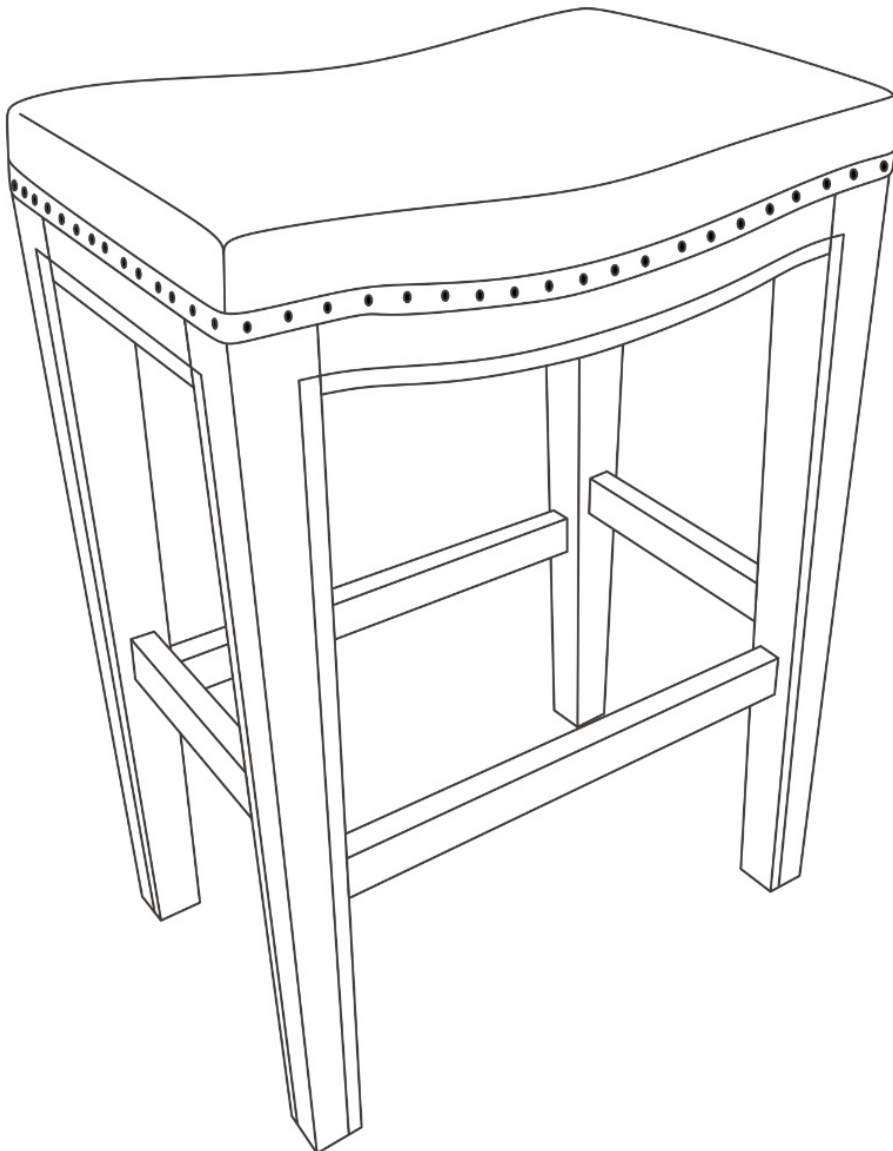


Assembly Instructions

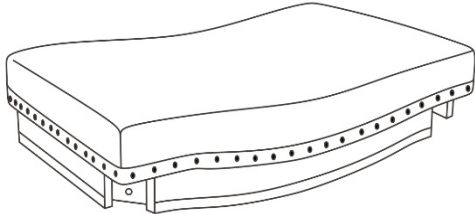
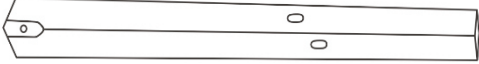


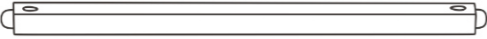
Caution: Please read this carefully before you proceed

Please look in the bottom of seat for hardware packs and legs








Stool



Part List

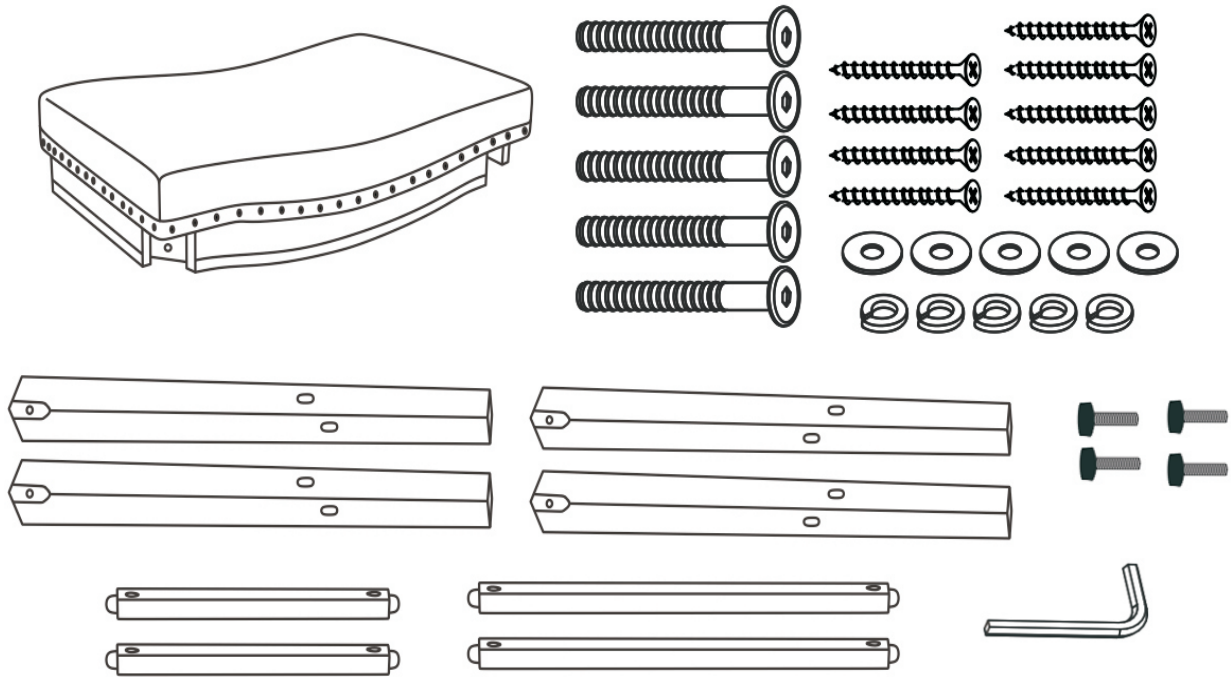
Label	Picture	Description	QTY
A		Stool Seat	1
B		Left Stool Leg	2
C		Right Stool Leg	2
D		Short Stretcher	2
E		Long Stretcher	2

Hardware

Label	Picture	Description	QTY
①		Bolt (M8x55mm)	5
②		Screw (M4x50mm)	9
③		Spring Washer	5
④		Washer	5
⑤		Allen Wrench	1
⑥		Screwdriver (Not provided)	1
⑦		Foot nail	4

Assembly Preparation

Before Beginning Assembly:



- Read instructions, cover to cover-



- Have 2 adults on hand for assembly-



- Do not assemble on flooring or carpet-



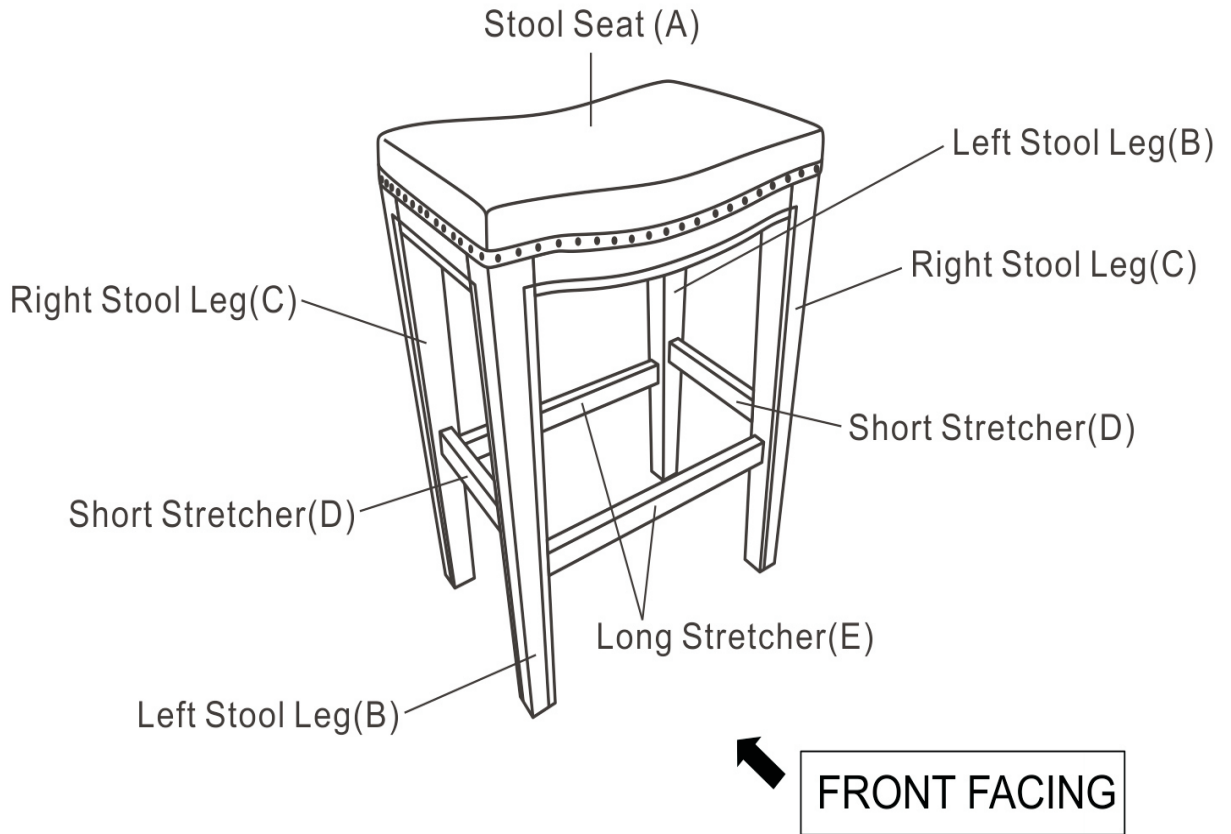
- Assemble on a clean non-marring surface (packing foam)-



- Save all packaging until finished-

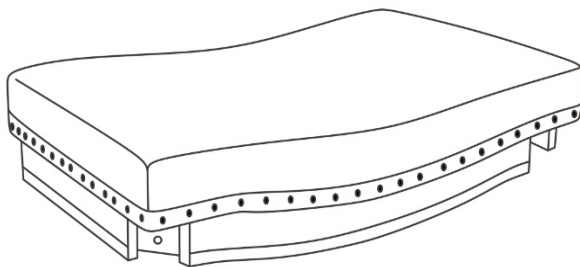
Assembly Steps

Overview

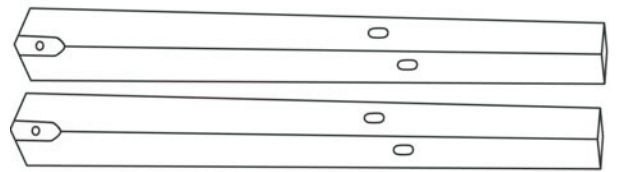


This Stool has multiple parts and may require up to 30 minutes to assemble. To give you an overview of the Stool parts, the above picture is provided to help you put the various parts into perspective. Please read through the instructions below to familiarise yourself with the parts and steps before assembly.

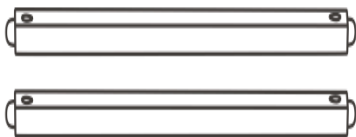
Step 1



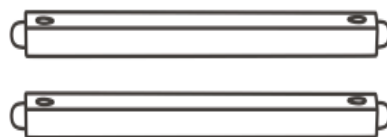
A. Stool Seat



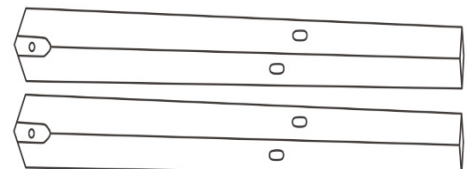
B. Left Stool Leg



E. Long Stretcher



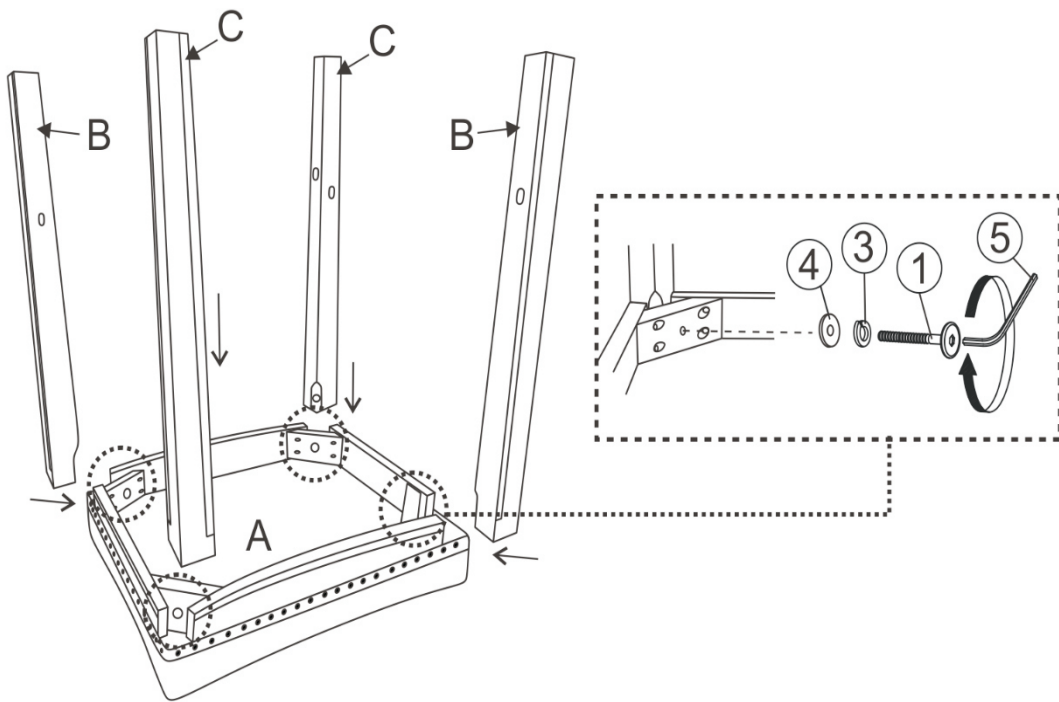
D. Short Stretcher



C. Right Stool Leg

Place the Stool Seat(A), the Left Stool Legs(B), the Right Stool Leg(C), the Short Stretchers(D) and the Long Stretchers(E) onto a clean, non-marring surface.

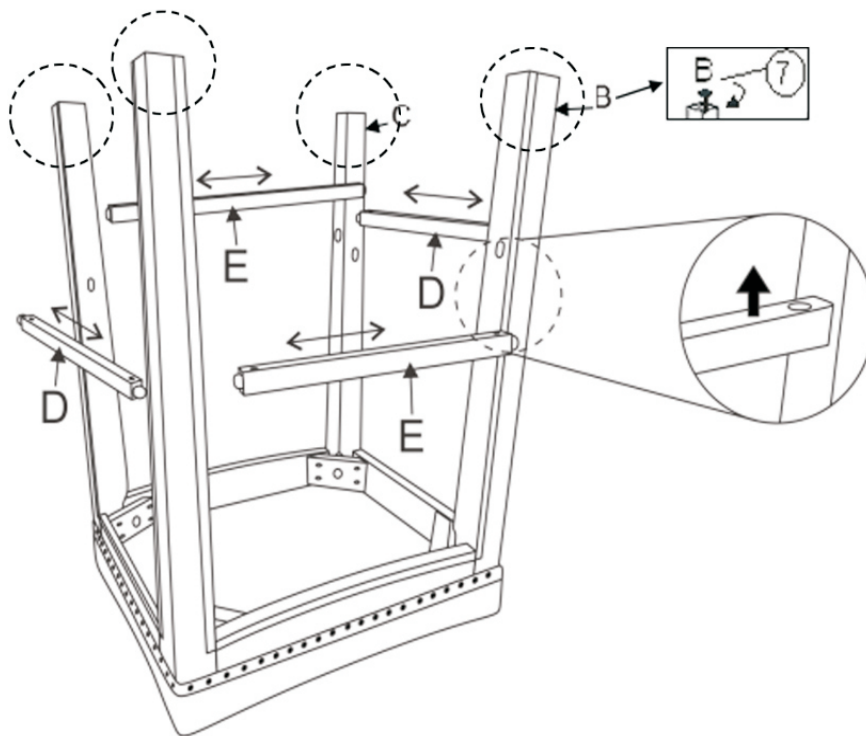
Step 2



Attach the Left Stool Legs(B) and Right Stool Legs(C) to the Stool Seat(A) , using Bolts(①), Spring Washers(③), Washers(④) and the Allen Wrench(⑤).

Do not fully tighten the bolts at this time.

Step 3



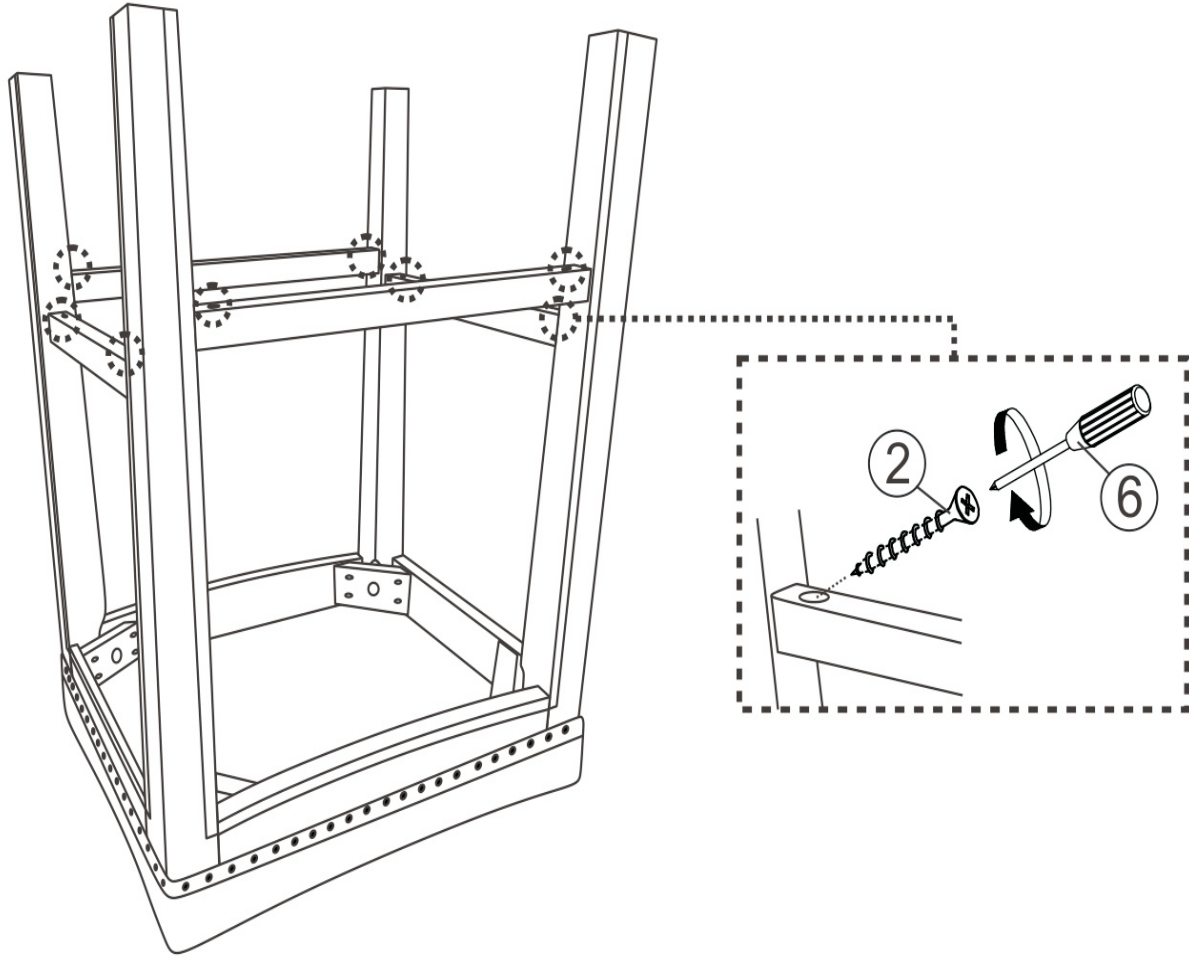
Insert the Short Stretchers(D) and Long Stretchers(E) into the mounting positions between the legs in sequence.

Note: You may need to apply a little pressure to the Stool Legs to enable the Stretcher to be slotted into position.

Screw the foot nail(⑦) to the bottom of Chair Legs(B and C) one by one.

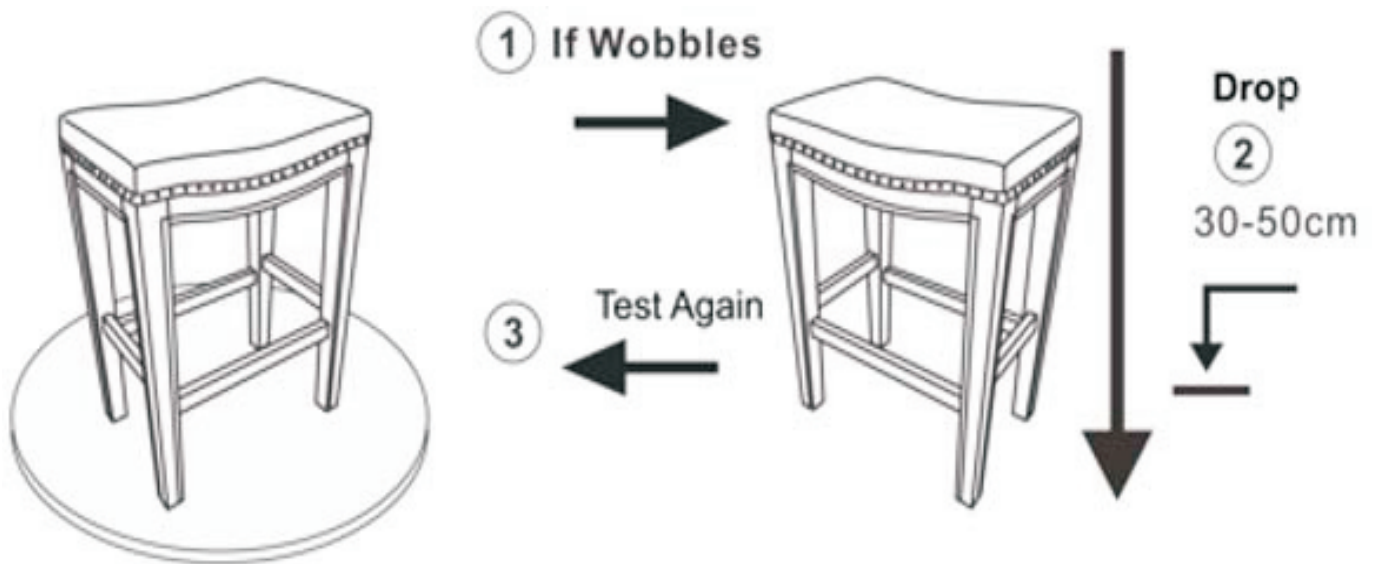
Please ensure that all the drill holes on the Stretcher are facing upwards as shown in the figure.

Step 4



Attach all Stretchers using Screws(②) and a Screwdriver(⑥).

Step 5



Place the Stool on a Level Surface to check if it wobbles.

If it wobbles, lift the Stool up some 30cm to 50cm from the ground, keep your feet and toes well away from the drop zone, and drop the Stool freely and vertically with the four legs, hitting the ground at the same time.

This Drop Test will help ensure that all parts and gaps reach full alignment. Test again for evenness on a Level Surface.

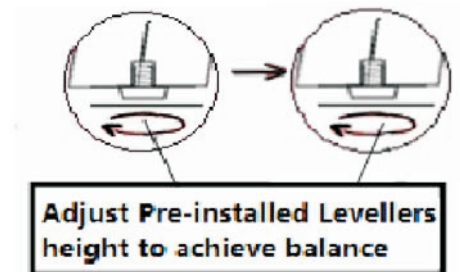
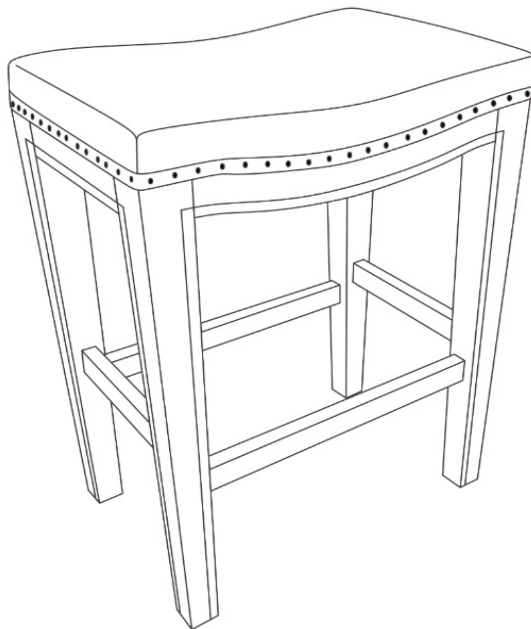
If no wobbles are found, proceed to tighten all the Bolts.

When tightening the Bolts, tighten sequentially.

Do not tighten any Bolt fully and then move on to the next one, as this could cause the frame to warp. Rather in a sequential manner, gradually tighten each Bolt until all are evenly secured. This methodology will ensure maximum evenness once all Bolts are fully tightened.

If the Stool still wobbles, loosen the Bolts and execute the same drop test, then proceed to tighten the bolts again in a sequential manner.

Step 6



If the Stool wobbles adjust the Pre-installed Levellers at the bottom of the Legs until the Stool is level.

Stool is now ready for use.

This Stool can only be used on a flat, level surface.

Your

Care & Maintenance



- Furniture may scratch floors. We recommend using furniture pads to protect your floors.



- Do not put hot items directly on furniture surface.



- Do not clean furniture with harsh cleansers or polish.



- Do not place furniture under direct sunlight.



- Do not place furniture near heating or cooling vents.



- Do not write on furniture without a padded barrier to protect the surface.



- Do not place furniture outside . For indoor use only.



- Not for commercial use. For residential use only.



- Stains may be removed with mild soap solution and damp cloth.



- Children should not climb or jump on the furniture.



- Dust and pick-up spills using a clean, non-colored, lint-free cloth.

Questions & Answers about Proposition 65

- What is Proposition 65?

Proposition 65 requires businesses to provide warnings to Californians about significant exposures to chemicals that cause cancer, birth defects or other reproductive harm. These chemicals can be in the products that Californians purchase, in their homes or workplaces, or that are released into the environment. By requiring that this information be provided, Proposition 65 enables Californians to make informed decisions about their exposures to these chemicals.

Proposition 65 also prohibits California businesses from knowingly discharging significant amounts of listed chemicals into sources of drinking water.

Proposition 65 requires California to publish a list of chemicals known to cause cancer, birth defects or other reproductive harm. This list, which must be updated at least once a year, has grown to include approximately 900 chemicals since it was first published in 1987.

- What types of chemicals are on the Proposition 65 list?

The list contains a wide range of naturally occurring and synthetic chemicals that include additives or ingredients in pesticides, common household products, food, drugs, dyes, or solvents. Listed chemicals may also be used in manufacturing and construction, or they may be byproducts of chemical processes, such as motor vehicle exhaust.

- What does a warning mean?

If a warning is placed on a product label or posted or distributed at a workplace, a business, or in rental housing, the business issuing the warning is aware or believes that it is exposing individuals to one or more listed chemicals.

By law, a warning must be given for listed chemicals unless the exposure is low enough to pose no significant risk of cancer or is significantly below levels observed to cause birth defects or other reproductive harm.

- Where can I get more information on Proposition 65?

If you have specific questions on the administration or implementation of Proposition 65, you can contact OEHHA's Proposition 65 program at P65.Questions@oehha.ca.gov, or by phone at (916) 445-6900.