



FOLLOW-UP SERVICE PROCEDURE
(TYPE R)

LIGHT-EMITTING-DIODE SURFACE-MOUNTED LUMINAIRES
(IFAM, IFAM7)

Manufacturer:	SEE ADDENDUM FOR MANUFACTURER LOCATIONS
Applicant:	1606924 (Party Site) Zhongshan Leader Electrical Technology Co Ltd 14 Door, Fuqing 2nd Rd, Yongxing industrial zone, Henglan town Zhongshan Guangdong 528478 CN
Listee/Classified Company:	1606924 (Party Site) SAME AS APPLICANT

Use of the Mark

This Follow-Up Service Procedure authorizes the above Manufacturer(s) to use the marking specified by UL LLC, or any authorized licensee of UL LLC, including the UL Contracting Party, only on products when constructed, tested and found to be in compliance with the requirements of this Follow-Up Service Procedure and in accordance with the terms of the applicable service agreement with UL Contracting Party. The UL Contracting Party for Follow-Up Services is listed in the addendum to this Follow-Up Service Procedure ("UL Contracting Party"). UL Contracting Party and UL LLC are referred to jointly herein as "UL."

It is the responsibility of the Applicant, Manufacturer(s), and Listee/Classified Company to make sure that only the products meeting the aforementioned requirements bear the authorized Marks of UL LLC, or any authorized licensee of UL LLC.

Additional Responsibilities

Additional responsibilities, duties and requirements for the Applicant and Manufacturers are defined under Additional Resources at the following web-site: <http://www.ul.com/fus>. Manufacturers without Internet access may obtain the current version of these documents from their local UL customer service representative or UL field representative. For assistance, or to obtain a paper copy of these documents or the Follow-Up Service Terms referenced below, please contact UL's Customer Service at <http://www.ul.com/aboutul/locations/>, select a location and enter your request, or call the number listed for that location.

Acceptance of Follow-Up Services

The Applicant and the specified Manufacturer(s) and any Listee/Classified Company in this Follow-Up Service Procedure must agree to receive Follow-Up Services from UL Contracting Party. If your applicable service agreement is a Global Services Agreement ("GSA"), the Applicant, the specified Manufacturer(s), and any Listee/Classified Company will be bound to a Service Agreement for Follow-Up Services upon the earliest by any Subscriber of a) use of the prescribed UL Mark, b) acceptance of the factory inspection, or c) payment of the Follow-Up Service fees. The Service Agreement incorporates such GSA, this Follow-Up Service Procedure and the Follow-Up Service Terms which can be accessed by clicking the following link: <http://services.ul.com/fus-service-terms>. In all other events, Follow-Up Services will be governed by and incorporate the terms of your applicable service agreement and this Follow-Up Service Procedure.

Use and Ownership of the Follow-Up Service Procedure

This Follow-Up Service Procedure, and any subsequent revisions, is the property of UL and is not transferable. This Follow-Up Service Procedure contains confidential information for use only by the Applicant, the specified Manufacturer(s), and representatives of UL and is not to be used for any other purpose. It is provided to the Subscribers with the understanding

that it is not to be copied, either wholly or in part unless specifically allowed, and that it will be returned to UL, upon request.

Definition of Terms

Capitalized terms used but not defined herein have the meanings set forth in the GSA and the applicable Service Terms or any other applicable UL service agreement.

No Third Party Liability

UL shall not incur any obligation or liability for any loss, expense or damages, including incidental, consequential or punitive damages arising out of or in connection with the use or reliance upon this Follow-Up Service Procedure to anyone other than the above Manufacturer(s) as provided in the agreement between UL LLC or an authorized licensee of UL LLC, including UL Contracting Party, and the Manufacturer(s).

Certification Body

UL LLC has signed below solely in its capacity as the certification body to indicate that this Follow-Up Service Procedure fulfills the requirements for certification documentation issued by the certification body.

Bruce A. Mahrenholz
Director
Conformity Assessment Programs (CPO)
UL LLC

LOCATION

1606924 (Party Site)
Zhongshan Leader Electrical Technology Co Ltd
14 Door, Fuqing 2nd Rd, Yongxing industrial zone, Henglan town
Zhongshan Guangdong 528478 CN

Factory ID: NONE

UL Contracting Party for above site is: UL GmbH



Multiple Listing Correlation Sheet

ML FILE NO. E491008

Issued: 2017-02-24

Revised: 2018-10-30

MULTIPLE LISTING
of
LIGHT-EMITTING-DIODE SURFACE-MOUNTED LUMINAIRES
(IFAM)
for

[1664229] AOK GROUP INC. (DBA DYCONN FAUCET)

Basically Listed for:

[1606924] ZHONGSHAN LEADER ELECTRICAL
TECHNOLOGY CO LTD

Basically Listed products covered by Procedure and/or Reports under File No. E486300, Volume 1

Products Covered	Report Date	Basic Applicant's (Supplier's) Product Designation	Multiple Listee's Product Designation
LED Surface Mounted Luminaire	2016-11-01	LDN50IP44	DYF-MXXATXXXXW
		LDN75IP44	DYF-M15ATXXXXW
LED Surface Mounted Luminaire	2016-11-01	LDN50IP44	MXXATXXXXW (1st xx means style mark, 2nd xxxx means size)
		LDN75IP44	CUTXXXXMXX (1st xx means style mark, 2nd xxxx means size)
		LDN75IP44	VATXXXXW (xxxx means size)
		LDN75IP44	CATXXW (XX means size)

MARKING: Same as that described in Follow-Up Service Procedure and/or Report except for Multiple Listee's name, file number, Trademark / Tradename, when applicable, and product designation.

LITERATURE: If literature is packaged with the Multiple Listed product(s) it shall be in compliance with the requirements outlined in the appropriate UL Standard(s).



Multiple Listing Correlation Sheet

ML FILE NO. E485461

Issued: 2018-11-14

MULTIPLE LISTING
of
LIGHT-EMITTING-DIODE SURFACE-MOUNTED LUMINAIRES
(IFAM, IFAM7)
for

[1606924] ELEGANT FURNITURE & LIGHTING INC

Basically Listed for:

[736277] ZHONGSHAN LEADER ELECTRICAL
TECHNOLOGY CO LTD

Basically Listed products covered by Procedure and/or Reports under File No. E486300, Volume 1

Products Covered	Report Date	Basic Applicant's (Supplier's) Product Designation	Multiple Listee's Product Designation
LED Surface Mounted Luminaire	2016-11-01	LDN50IP44	PART LDN50W01
		LDN75IP44	PART LDN75W01

MARKING: Same as that described in Follow-Up Service Procedure and/or Report except for Multiple Listee's name, file number, Trademark / Tradename, when applicable, and product designation.

LITERATURE: If literature is packaged with the Multiple Listed product(s) it shall be in compliance with the requirements outlined in the appropriate UL Standard(s).

Models	Section	USL	CNL	Report Date
Light-emitting-diode Surface-mounted Luminaires, Models LDN50IP44- XXYY , LDN75IP44- XXYY . Where " XX " can be replaced by numbers from 29 to 48 represent for product width, " YY " can be replaced by numbers from 29 to 72 represent for product length.	1	X	X	2016-11-01
Light-emitting-diode Surface-Mounted Luminaires, Models Series LD-N75-WXXYY, LD-C75-WXXYY, LD-S75-WXXYY, LD-Q75-WXXYY. Where " W " can be replaced by F or Y represent for product shape, where " XX " and " YY " can be replaced by numbers represent for product width and length respectively.	2	X	X	2021-03-31

Note: USL - United States Standard. Listed.

CNL - Canadian Standard. Listed.

GENERAL

PRODUCT COVERED:

USL, CNL - Light-emitting-diode (LED) Surface-mounted Luminaires.

GENERAL CONSTRUCTION:

These products shall comply with the Standard for Luminaires UL 1598, the Follow-Up Service Instruction and with the applicable description, if any given elsewhere in this Procedure.

***MARKINGS - The product shall be marked with a model, catalog or series number (or similar designation) or the word "Light-emitting-diode" or "LED" and a date code consisting of at least the month and year of manufacture.**

*

C-UL GENERAL

*Canadian-UL Products - All products which bear the C-UL Mark shall comply with the **Canadian** Standard for Luminaires **CAN/CSA 22.2 No. 250.0**, the Follow-Up Service Instructions and the descriptions if any in the individual Reports. In addition, these products shall comply with the supplemental requirements for construction, marking and performance tests. Where requirements for C-UL conflict with those of the individual Report, the appropriate requirements for C-UL take precedence.

All components of products bearing the C-UL mark shall be Listed or Recognized for Canada or CSA Certified, in addition to being UL Listed or Recognized.

***MARKINGS - The product shall be marked with a date code consisting of at least the month and year of manufacture. In addition, the product shall be marked with a model, catalog or series number (or similar designation) or the word "Light-Emitting-Diode" or "LED".**

CUL - UNDERCABINET LED LUMINAIRES

Canadian-UL Products - All undercabinet luminaires which bear the cUL Mark shall comply with the applicable luminaire construction requirements of CSA C22.2 No. 9.0, the Standard for General Requirement for Luminaires.

Unless otherwise described in the individual report, CUL undercabinet luminaires shall comply with the temperature test-exempt requirements for luminaires for Canada. In addition, these products shall comply with the supplemental requirements as outlined below and all applicable requirements in the CUL General portion of this Sec. Gen.

1. MOUNTING

Shall have a provision for undercabinet mounting.

2. SUPPLY CONNECTIONS

Shall have a provision for connection of conduit or cable.

3. MARKINGS

A Luminaire bearing the CUL Mark and intended for undercabinet mounting shall be additionally marked "SUITABLE FOR UNDERCABINET USE" in accordance with the Standard format.

Section General Completion Key

-Select this box and delete after completing this form.

Identify marking method and location

Name of and number of Standard

CERTIFICATE OF COMPLIANCE

Certificate Number UL-CA-L486300-31-10116102-1
Report Reference E486300-20161101
Date 5-Apr-2021

Issued to: Zhongshan Leader Electrical Technology Co Ltd
14 Door, Fuqing 2nd Rd, Yongxing industrial zone, Henglan town Zhongshan , Guangdong, China 528478

This is to certify that representative samples of IFAM7 - Light-emitting-diode Surface-mounted Luminaires Certified for Canada
See Addendum Page for Product Designation(s).

Have been investigated by UL in accordance with the Standard(s) indicated on this Certificate.

Standard(s) for Safety: CSA C22.2 NO. 250.0-08, 3rd Ed., Issue Date: 2008-09-01, Revision Date: 2012-10-17

Additional Information: See the UL Online Certifications Directory at <https://iq.ulprospector.com> for additional information

This Certificate of Compliance does not provide authorization to apply the UL Mark. Only the UL Follow-Up Services Procedure provides authorization to apply the UL Mark.

Only those products bearing the UL Mark should be considered as being UL Certified and covered under UL's Follow-Up Services.

Look for the UL Certification Mark on the product.



Bruce Mahrenholz, Director North American Certification Program

UL LLC

Any information and documentation involving UL Mark services are provided on behalf of UL LLC (UL) or any authorized licensee of UL. For questions, please contact a local UL Customer Service Representative at <http://ul.com/aboutul/locations/>



CERTIFICATE OF COMPLIANCE

Certificate Number UL-CA-L486300-31-10116102-1
Report Reference E486300-20161101
Date 5-Apr-2021

This is to certify that representative samples of the product as specified on this certificate were tested according to the current UL requirements

Model	Category Description
LDN50IP44-XXYY, Where "XX" can be replaced by numbers from 29 to 48 represent for product width, "YY" can be replaced by numbers from 29 to 72 represent for product length.	LED Surface Mounted Luminaire
LDN75IP44-XXYY, Where "XX" can be replaced by numbers from 29 to 48 represent for product width, "YY" can be replaced by numbers from 29 to 72 represent for product length.	LED Surface Mounted Luminaire



Bruce Mahrenholz, Director North American Certification Program

UL LLC

Any information and documentation involving UL Mark services are provided on behalf of UL LLC (UL) or any authorized licensee of UL. For questions, please contact a local UL Customer Service Representative at <http://ul.com/aboutul/locations/>



CERTIFICATE OF COMPLIANCE

Certificate Number UL-US-L486300-11-10116102-1
Report Reference E486300-20161101
Date 5-Apr-2021

Issued to: Zhongshan Leader Electrical Technology Co Ltd
14 Door, Fuqing 2nd Rd, Yongxing industrial zone, Henglan town Zhongshan , Guangdong, China 528478

This is to certify that representative samples of IFAM - Light-emitting-diode Surface-mounted Luminaires
See Addendum Page for Product Designation(s).

Have been investigated by UL in accordance with the Standard(s) indicated on this Certificate.

Standard(s) for Safety: UL 1598, 3rd Ed., Issue Date: 2008-09-17, Revision Date: 2012-10-17

Additional Information: See the UL Online Certifications Directory at <https://iq.ulprospector.com> for additional information

This Certificate of Compliance does not provide authorization to apply the UL Mark. Only the UL Follow-Up Services Procedure provides authorization to apply the UL Mark.

Only those products bearing the UL Mark should be considered as being UL Certified and covered under UL's Follow-Up Services.

Look for the UL Certification Mark on the product.



Bruce Mahrenholz, Director North American Certification Program

UL LLC

Any information and documentation involving UL Mark services are provided on behalf of UL LLC (UL) or any authorized licensee of UL. For questions, please contact a local UL Customer Service Representative at <http://ul.com/aboutul/locations/>




CERTIFICATE OF COMPLIANCE

Certificate Number UL-US-L486300-11-10116102-1
Report Reference E486300-20161101
Date 5-Apr-2021

This is to certify that representative samples of the product as specified on this certificate were tested according to the current UL requirements

Model	Category Description
LDN50IP44-XXYY, Where "XX" can be replaced by numbers from 29 to 48 represent for product width, "YY" can be replaced by numbers from 29 to 72 represent for product length.	LED Surface Mounted Luminaire
LDN75IP44-XXYY, Where "XX" can be replaced by numbers from 29 to 48 represent for product width, "YY" can be replaced by numbers from 29 to 72 represent for product length.	LED Surface Mounted Luminaire



Bruce Mahrenholz, Director North American Certification Program

UL LLC

Any information and documentation involving UL Mark services are provided on behalf of UL LLC (UL) or any authorized licensee of UL. For questions, please contact a local UL Customer Service Representative at <http://ul.com/aboutul/locations/>



File E486300
Project 4787460981

November 1, 2016

REPORT

on

Light-emitting-diode Surface-mounted Luminaires

ZHONGSHAN LEADER ELECTRICAL TECHNOLOGY CO LTD
ZHONGSHAN, GUANGDONG, CHINA

Copyright © 2016 UL LLC

UL LLC authorizes the above named company to reproduce this Report only for purposes as described in the Conclusion, provided it is reproduced in its entirety.

PRODUCT COVERED:

USL, CNL - Light-emitting-diode Surface-mounted Luminaires, Models LDN50IP44-**XXYY**, LDN75IP44-**XXYY**. Where "**XX**" can be replaced by numbers from 29 to 48 represent for product width, "**YY**" can be replaced by numbers from 29 to 72 represent for product length.

NOTE: USL - United States Standard Listed
CNL - Canadian Standard Listed

ELECTRICAL RATINGS:

Model	Rated Voltage	Rated Frequency	Rated Wattage, W
LDN50IP44- XXYY	120Vac	60 Hz	55
LDN75IP44- XXYY	120Vac	60 Hz	75

Note: XX/YY can be replaced by numbers represent product overall dimensions. For example, Model LDN50IP44-2929 is 29 inches x 29 inches.

GENERAL CONSTRUCTION:

These products comply with the applicable Standards for USL and/or CNL luminaires as noted under the "Technical Considerations" section noted below, the Section General, and the Description on the following pages.

All components of products bearing the C-UL mark shall be Listed or Recognized for Canada or CSA Certified, in addition to being UL Listed or Recognized.

TECHNICAL CONSIDERATIONS (NOT FOR FIELD REPRESENTATIVE'S USE):

USL indicates product complies with the Standard for Luminaires, UL 1598 and the United States country specific requirements contained within the Standard, along with the relevant parts of the UL Standard for Light Emitting Diode (LED) Equipment for Use in Lighting Products, UL 8750.

CNL indicates product complies with the Canadian National Standard for Luminaires, CSA C22.2 No. 250.0 and standard for Light emitting diode (LED) equipment for lighting applications CSA C22.2 No. 250.13 and the Canadian country-specific requirements contained within the Standard.

CN indicates the component has been evaluated to Canadian requirements and the component shall have a Canadian UL certification Mark (C-UL) or UL certification Mark and CSA certification Mark when the Applicant's basic product bearing C-UL certification Mark.

INSTALLATION INSTRUCTIONS:

Each fixture shall be packed with installation instruction in accordance with the Standards and Sec. Gen. See ILL. 1 for model LDN75IP44's instruction also represented model LDN50IP44.

MARKINGS:

Provided in accordance with the Standards and Sec. Gen. In addition, the following markings shall also be provided.

- (a) "SUITABLE FOR DAMP LOCATIONS" in Format S24-L2.
- (b) Electrical Rating: "___ VOLTS ___ AMPS ___ WATTS ___ HERTZ or ___ V ___ A ___ W ___ Hz" in Format S24-L3. See the table in page 1 for the details of electrical ratings.
- (c) "THIS PRODUCT MUST BE INSTALLED IN ACCORDANCE WITH THE APPLICABLE INSTALLATION CODE BY A PERSON FAMILIAR WITH THE CONSTRUCTION AND OPERATION OF THE PRODUCT AND THE HAZARDS INVOLVED" in Format S24-L4.
- (d) "WALL MOUNT ONLY" Verbatim in Form S24-L2.
- (e) "MOUNTING ORIENTATION - (Such as this end up)" in Form S24-L2.

SURFACE MOUNTED LUMINAIRES - Models LDN50IP44-**XXYY**, LDN75IP44-**XXYY**, Figs. 1-7

General - Fig. 1 to Fig. 7 illustrate the overall views and disassembly views of all models noted above.

1. Back Plate - Painted sheet steel, shape as shown, 0.9 mm thick, see **ILL. 8 for detailed dimensions.**
- *2. LED Board Mounting Plate - Painted sheet steel, shape as shown, 0.7 mm thick, **see ILL. 8 for detailed dimensions**, secured to Back Plate by welding.
3. Diffuser Mounting Bracket - Consisted of three parts. one of them formed of steel, 1.2 mm thick, see ILL. 2 for detailed dimensions (Unit: mm), secured to Back Plate by screws and nuts. The other two formed of steel, 0.9 mm thick, see ILL. 3 for detailed dimensions (Unit: mm), welding to Back plate.
4. LED Driver - R/C (QQGQ2/8), MEAN WELL ENTERPRISES CO LTD (E183223). See the below table for details of specific model. Secured to Wiring Compartment by screws.

Luminaire Model	LED Driver Model	LED Driver Electrical Ratings	
		Input rating	Output rating
LDN50IP44-XXYY	LRS-50-12	SELV output, 100-240Vac, 50/60Hz, 1.0A	12.01Vdc, 5.31A, 62.6VA.
LDN75IP44-XXYY	LRS-75-12	SELV output, 100-240Vac, 50/60Hz, 1.52A	12.06Vdc, 7.64A, 90.53VA.

5. Wiring Compartment - Consist of two parts. One part serves as LED Driver Enclosure, the other part serves as Canopy. LED Driver enclosure, Painted sheet steel, min. 0.6 mm thick, overall measured 135 mm long by 135 mm wide by 40 mm high, secured to Back Plate by screws and nuts. Canopy, Painted sheet steel, 0.6 mm thick, overall measured 135 mm long by 135 mm wide by 40 mm high, secured to Back Plate by screws and nuts.

Alternate Wiring Compartment - Consist of two parts. One part serves as LED Driver Enclosure, the other part serves as Canopy. LED Driver Enclosure, Painted sheet steel, min. 0.6 mm thick, overall measured 180 mm long by 180 mm wide by 37 mm high, secured to Back Plate by screws and nuts. Canopy, Painted sheet steel, 0.6 mm thick, overall measured 120 mm OD by 10 mm ID, secured to Back Plate by screws.

Alternate Wiring Compartment - One piece provided, serves as both LED Driver enclosure and Canopy. Painted sheet steel, min. 0.6 mm thick, overall measured 320 mm long by 220 mm wide by 37 mm high, secured to Back Plate by screws and nuts.

6. LED Board - R/C (ZPXK2), 0.4 mm thick, rated minimum V-1, 105°C, secured to LED Board Mounting Plate by zip ties or double adhesive tape. The welding point of wire connected to LED Board was cover by heat-shrinkable tubing, R/C (YDPU2/8), rated 300V, 105°C.

Model No.	Dimension	Trace Layout for one unit	Length per one unit	Number of LED packages per unit	LED Rating	Resistor Value
LDN50 IP44- XXYY	Overall 8.0mm wide by 3000mm	ILL. 4	34mm	4	IF=60mA; VF=3.0-3.4V	150Ω
LDN75 IP44- XXYY	Overall 8.0mm wide by 6000mm					

7. Internal Wire - R/C (AVLV2/8), 600V, 105°C, 18AWG for primary wires, while 300V, 105°C, 22 AWG for secondary wires. Glass fiber sleeve and wire clip was also provided for primary wires.
8. Connectors - Listed (ZMVV/7), rated min. 300V, 105°C, suitable for wire gauge and conductor numbers.
9. Mirror heaters (Anti-fogging film) - **Optional**, Listed (KKWS/7), rated Maximum 2.0-2.5 W/dm², or maximum 250 W/m², maximum 250 Watts total at 120 V ac, **max. 1000 mm long by 800 mm wide. Fully taped to Diffuser by back adhesive.**
10. Input Wire for Mirror heaters - Listed, SPT-2 **or** SVT, rated min. 300V, 105°C, provided a Listed connector between two part of wire, ZMNA/7, rated min. 300V, 3A, suitable for wiring size and number.
11. Diffuser - Formed of glass, 5.0 mm thick, overall **736 to 1220 mm wide by 736 to 1830 mm long**. Secured to Back Plate with three Hook. Hooks, shape as shown, formed of aluminum, one of measured 1.0 mm thick, overall measured 150 to 200 mm long by 180 mm wide by 22 mm high, see ILL. 5 for detailed dimensions (Unit: mm), the other two measured 1.1 mm thick, see ILL. 6 for detailed dimensions (Unit: mm), secured to Diffuser by Adhesive.
12. Adhesive for Hooks at Diffuser - R/C (QOQW2), SHANGHAI HAIYING ADHESIVE TECHNOLOGY CO LTD (E467636), model JA-2010A/ JA-2010B, suitable for surface of Aluminum to Glass, -35°C-105°C.
Alternate - R/C (QMFZ2/8), GUANGZHOU BAIYUN CHEMICAL INDUSTRY CO LTD, model SMG533, rated min. HB, 105°C
13. Grounding - In accordance with Standard.

Figure-1 Page-1

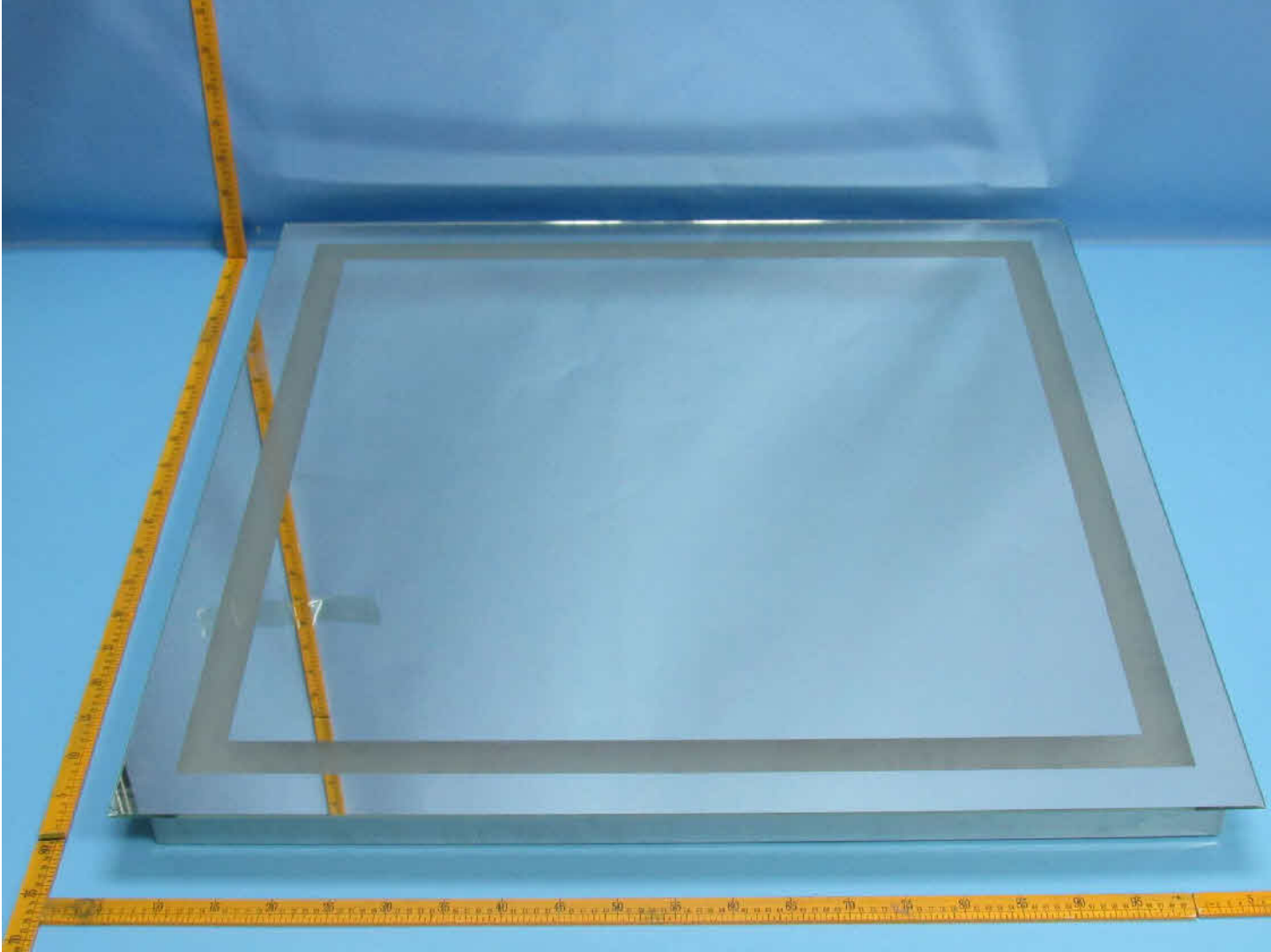


Figure-2 Page-1



Figure-3 Page-1



Figure-4 Page-1

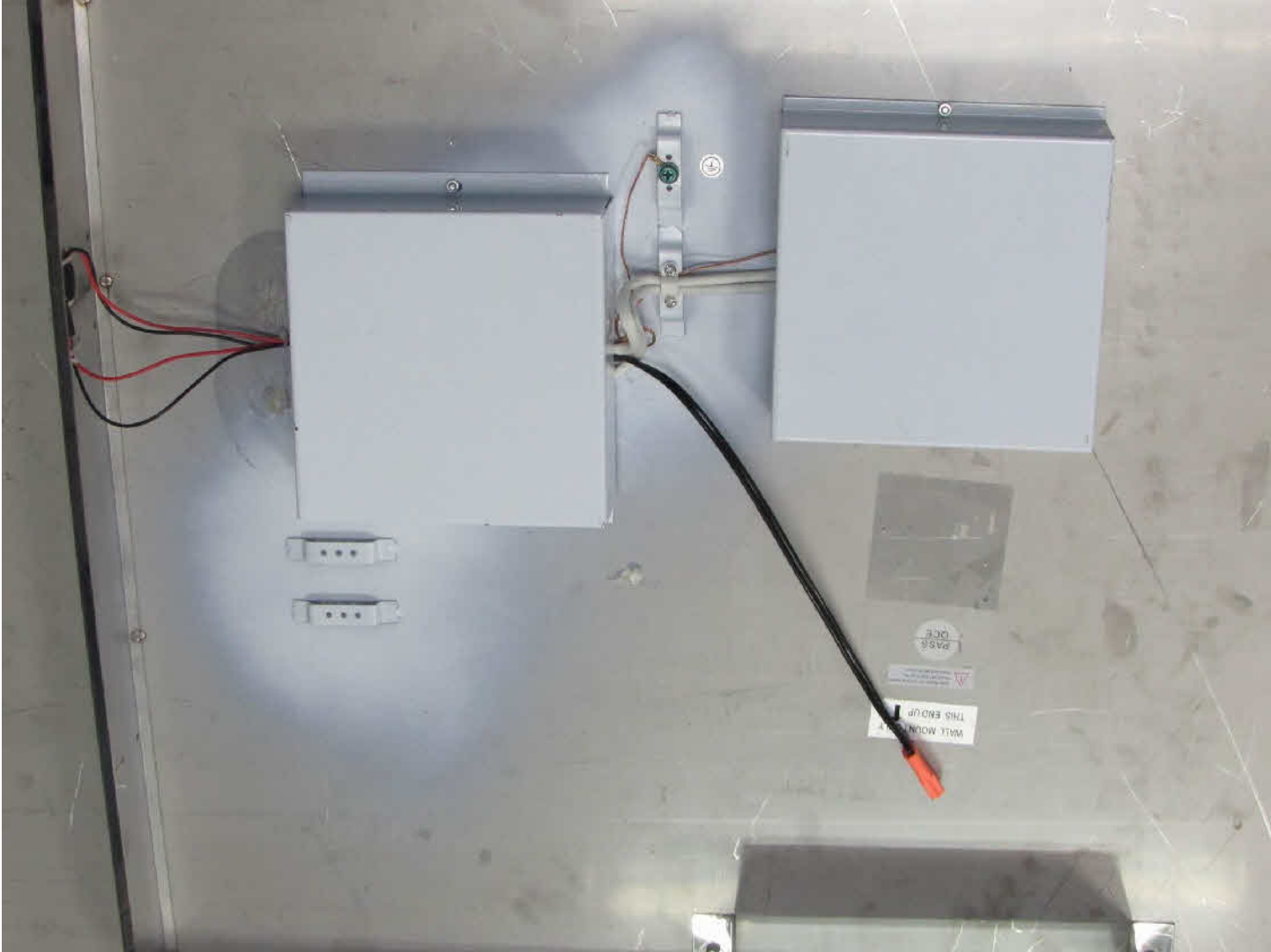


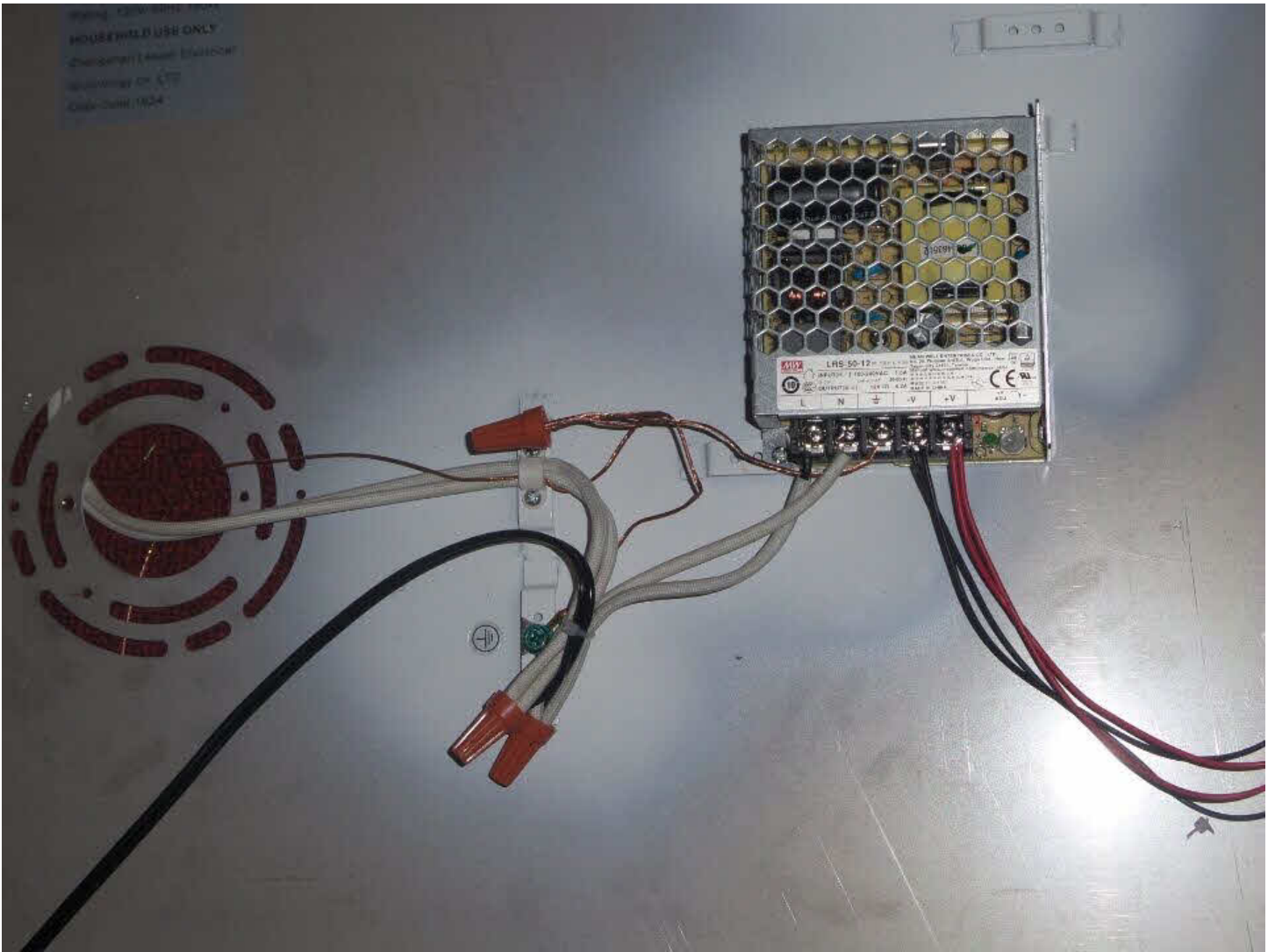
Figure-5 Page-1



Figure-6 Page-1



Figure-7 Page-1



LDN75IP44 ASSEMBLY INSTRUCTIONS

Please read carefully and save these instructions as you may need them later.
CAUTION!

Turn off the main power at circuit breaker before installing the fixture in order to prevent possible shock. All glass is fragile, use care when handling. The important safeguards and instructions appearing in this manual are not meant to cover all possible conditions and situations that may occur. It must be understood that common sense, caution, and care are factors which cannot be built into any product. These factors must be applied by the person(s) caring for and operating the fixture.

Power connection to be made by qualified personnel in accordance with the National Electrical Code. Please connect power according to the table below.

THIS PRODUCT MUST BE INSTALLED IN ACCORDANCE WITH THE APPLICABLE INSTALLATION CODE BY A PERSON FAMILIAR WITH THE CONSTRUCTION AND OPERATION OF THE PRODUCT AND THE HAZARDS INVOLVED

Fixture Conductor Marking

Live Conductor [Black or Brown]

Neutral Conductor [White or Blue]

Ground Conductor [Green or Bare]

Connect to AC Power Conductors

Line Voltage Conductor [Black]

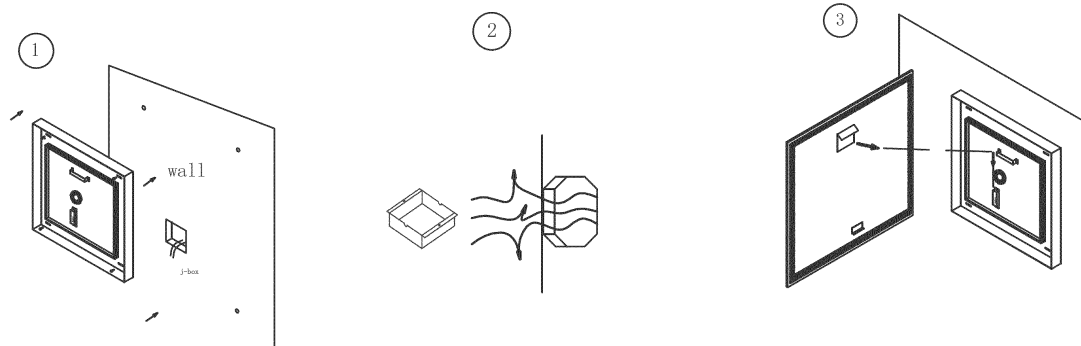
Neutral Conductor [White]

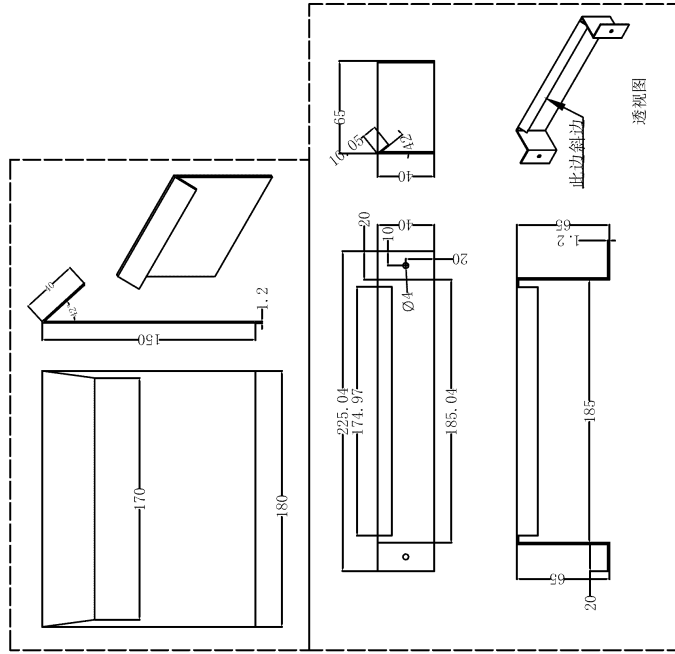
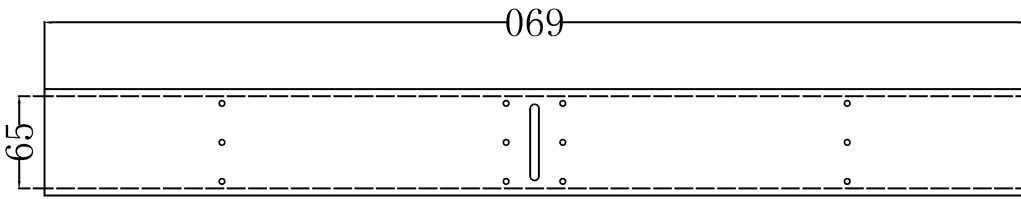
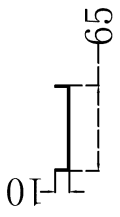
Ground Conductor [Green or Bare]

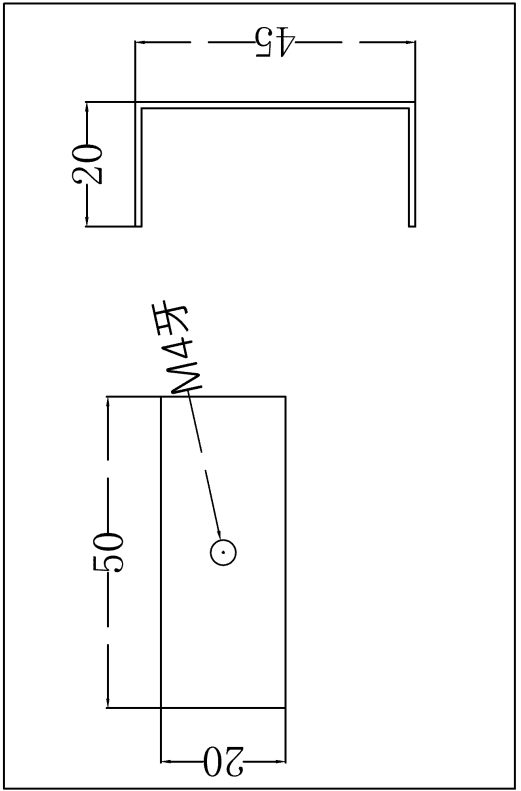
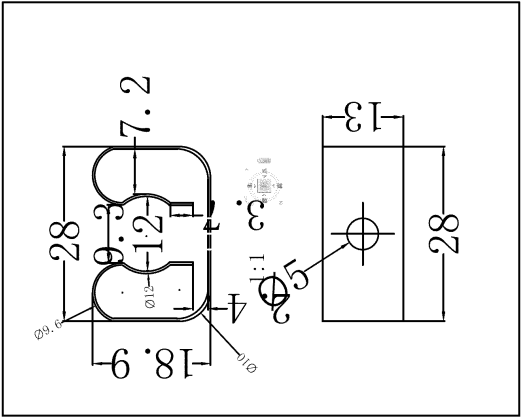
Step 1: Attach metal frame to the wall with included screws and plastic anchors.

Step 2: Connect the power as shown in the chart above.

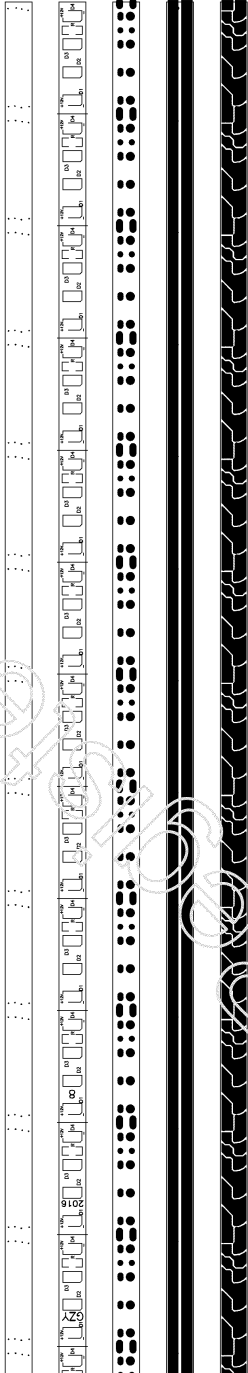
Step 3: Hang the Mirror onto the handle at the top of the frame. Align the screw hole at the bottom and install included screw to secure the mirror.

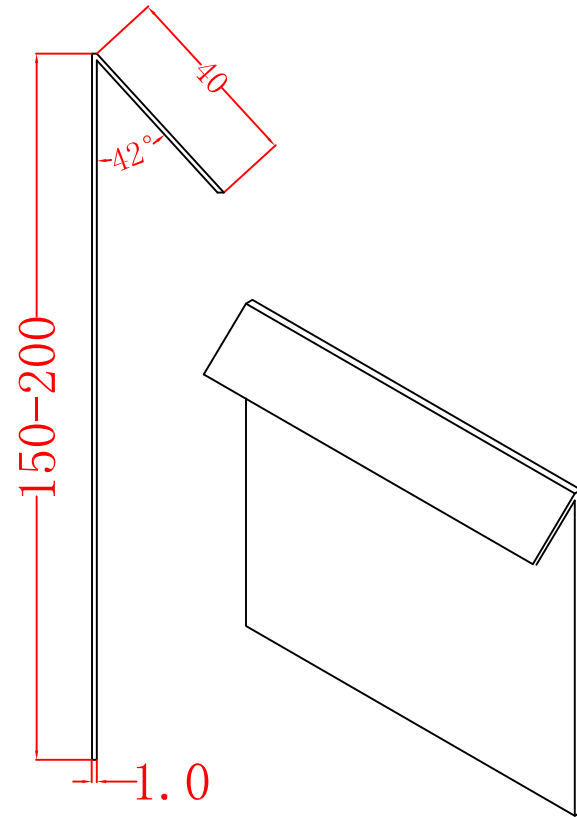
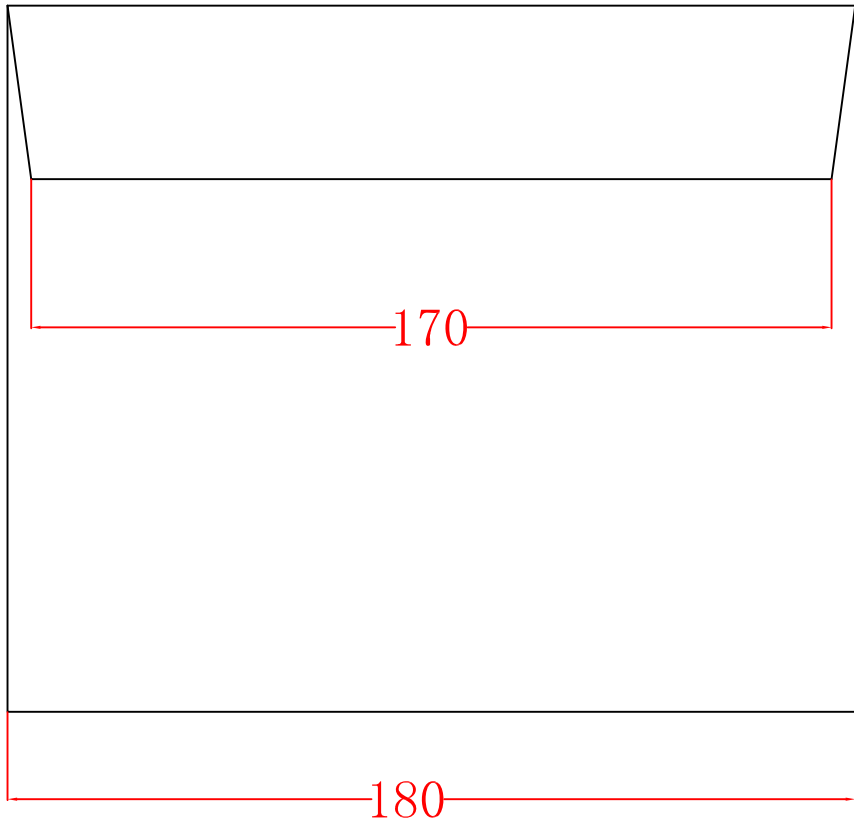


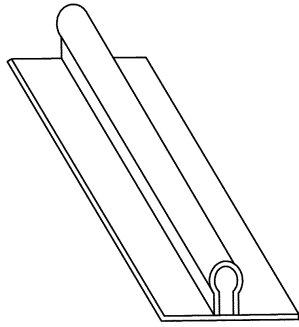
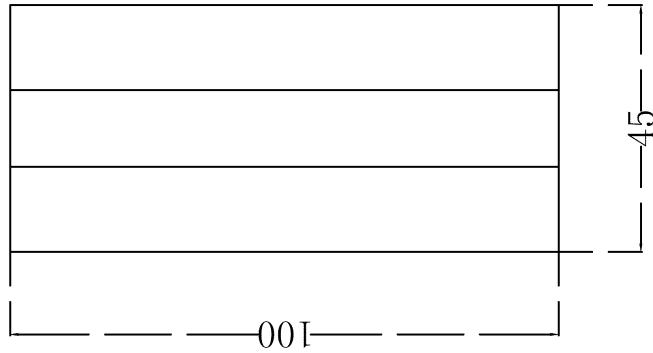
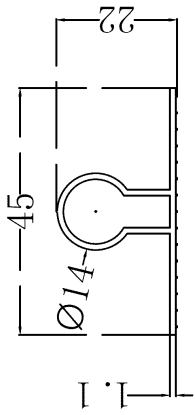


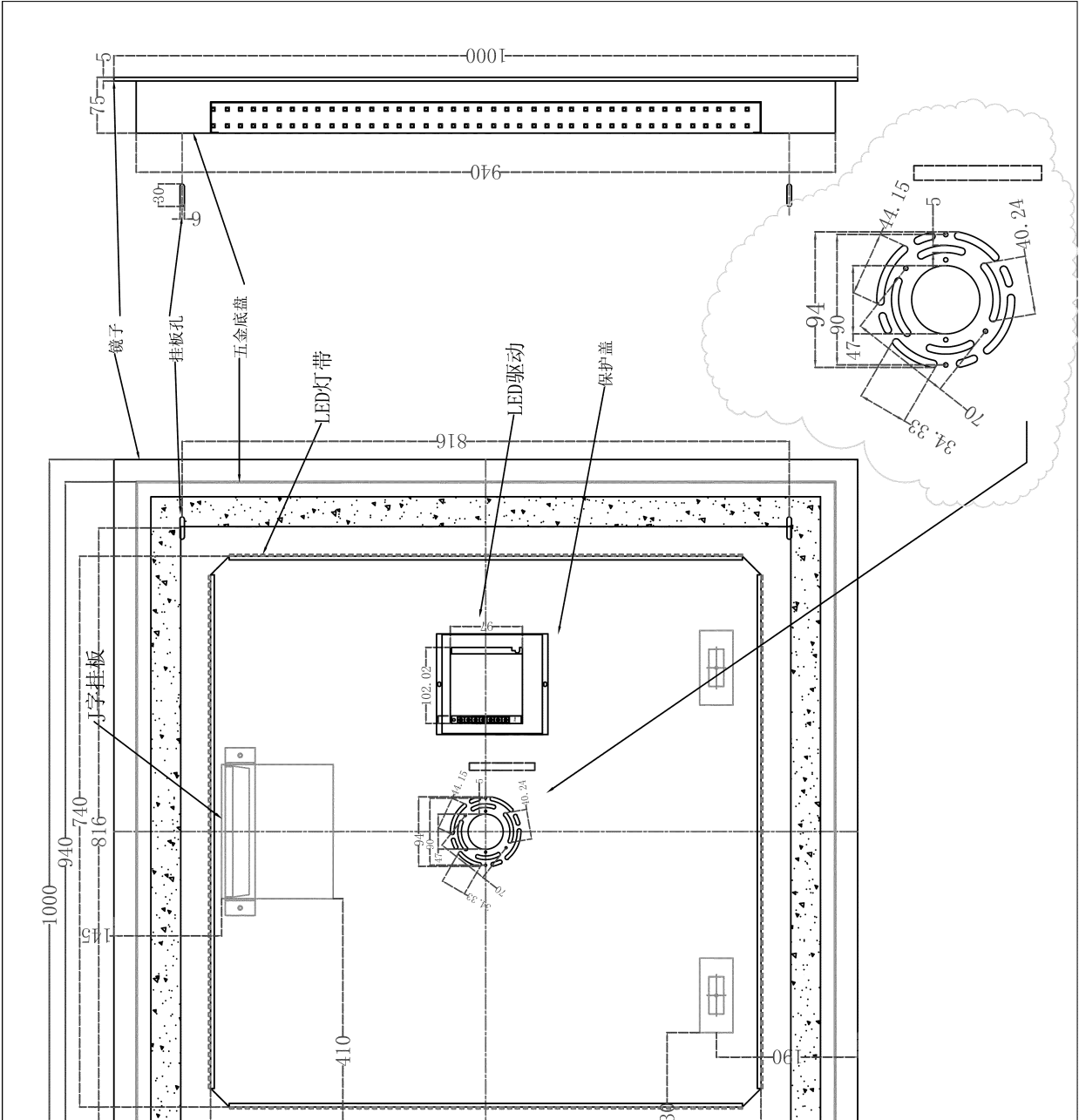


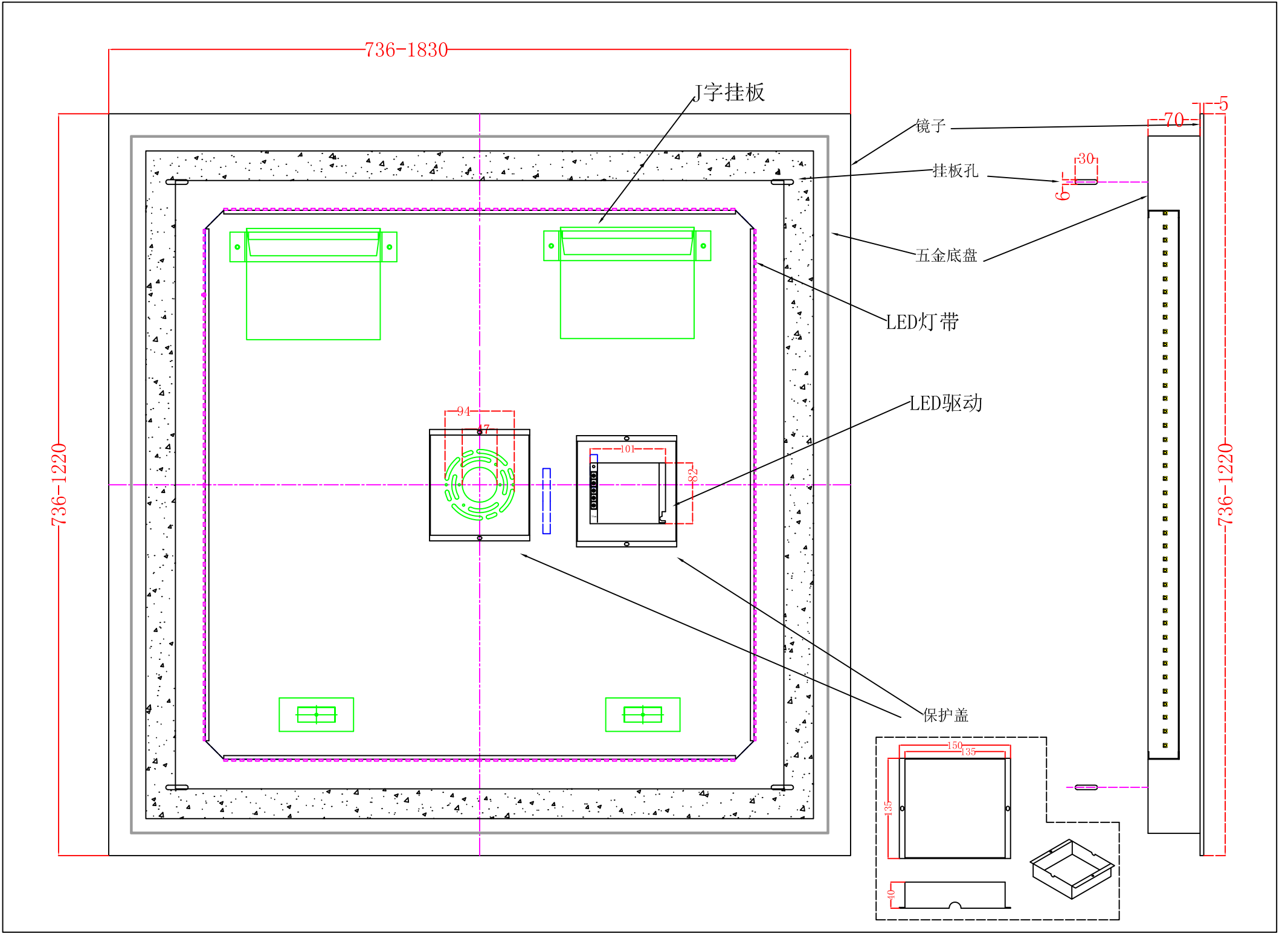
Unkred
perered

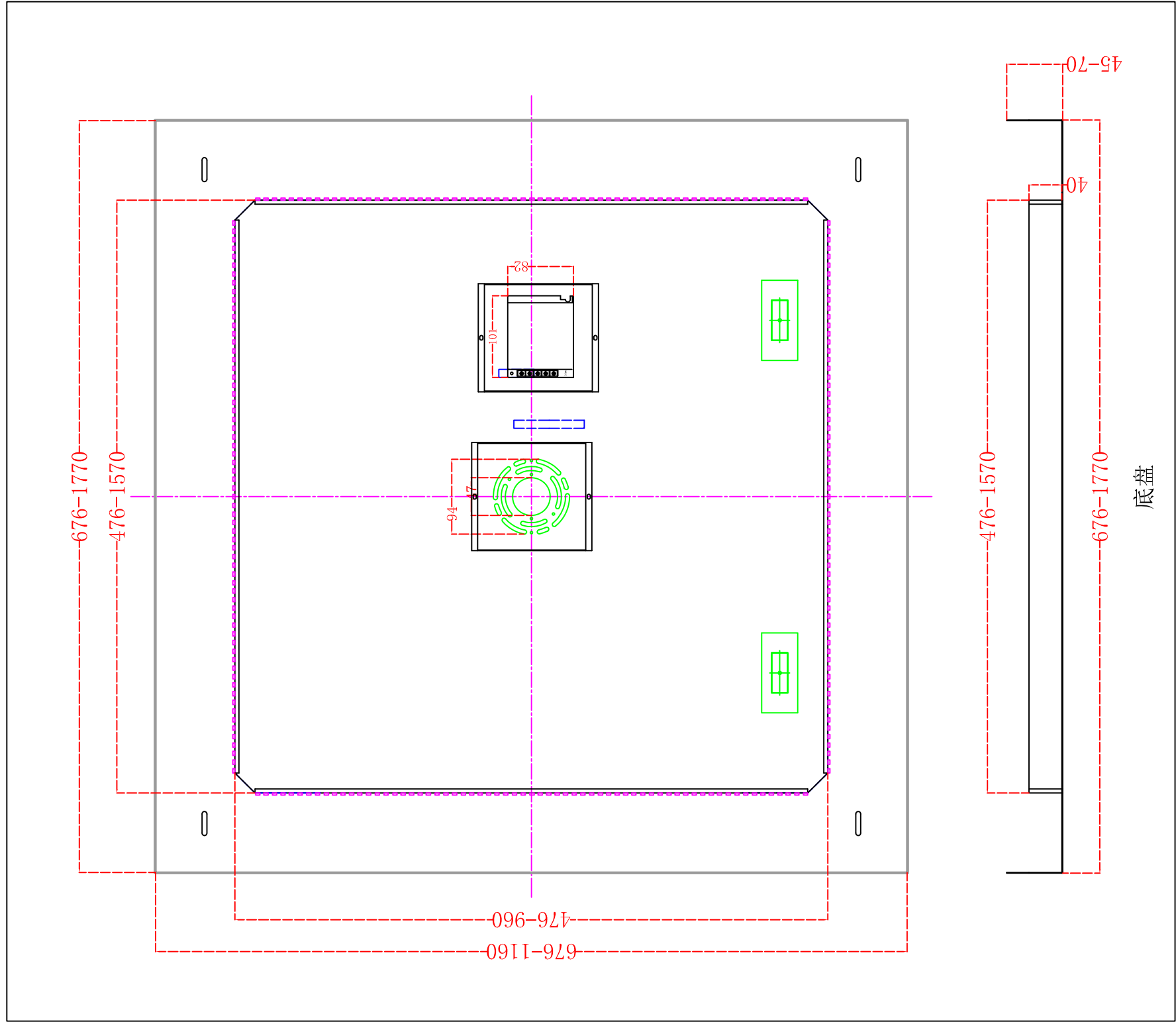












底盘

TEST RECORD NO. 1

SAMPLES:

Samples of the Light-emitting-diode Surface-mounted Luminaires as indicated below and constructed as described within this report, were submitted by the manufacturer for examination and test.

LED Surface-Mounted Luminaire, Models LDN50IP44, LDN75IP44.

GENERAL:

Test results relate only to the items tested. The following tests were conducted:

TEST	STANDARD	CODE (See Below)	CLAUSE
INPUT TEST	UL 8750 C22.2 No. 250.13	S	8.2/9.2
LED NORMAL TEMPERATURE, SURFACE	UL 1598 C22.2 NO. 250-0	S	14, 19
DIELECTRIC VOLTAGE-WITHSTAND	UL 1598 C22.2 NO. 250-0	S	17.1
	UL 8750 C22.2 No. 250.13		8.4/9.4
BONDING CIRCUIT IMPEDANCE	UL 1598 C22.2 NO. 250-0	S	17.2
ENVIRONMENTAL TEST - HUMIDITY EXPOSURE	UL 8750 C22.2 No. 250.13	S	8.14.1/9.12.1
LOADING:	UL 1598 C22.2 NO. 250-0	S	16.15
COMPONENT FAILURE ABNORMAL TEST	UL 8750 C22.2 No. 250.13	S	8.7.2/9.5.2
S = Same test.			
OS = Testing requirements come from one standard only.			

The following tests were tested on representative model with rationale specified below:

Model tested	Tests conducted	Represented model	Rationale
BONDING CIRCUIT IMPEDANCE; LOADING:	LDN75IP44	LDN50IP44	Identical to each other except for LED Driver and LED module

TEST RECORD SUMMARY:

The results of this investigation, including construction review and testing, indicate that the products evaluated comply with the applicable requirements in the standards noted below and, therefore, such products are judged eligible to bear UL's Mark as described on the Conclusion Page of this Report.

Standard	Title	Edition	Latest Revision Date
CSA C22.2 No. 250.0-08	Luminaires	3rd	2012-10-17
UL 1598	Luminaires	3rd	2012-10-17
UL 8750	Light Emitting Diode (LED) Equipment for Use in Lighting Products	2nd	2016-10-21
CSA C22.2 No. 250.13-14	Light Emitting Diode (LED) Equipment For Lighting Applications	2nd	2014-07-01

Any information and documentation involving UL Mark services are provided on behalf of UL LLC (UL) or any authorized licensee of UL.

TEST RECORD NO. 2

GENERAL:

Models names were revised to LDN50IP44-XXYY, LDN75IP44-XXYY. Where "XX" can be replaced by numbers from 29 to 48 represent for product width, "YY" can be replaced by numbers from 29 to 72 represent for product length. Alternate product dimensions for Back Plate, LED Board Mounting Plate, Mirror heaters and Diffuser, alternate Adhesive for Hooks at Diffuser and Cord.

No test was conducted based on engineering judgement, the following tests were waived:

Test	Rationale for Waived Test (See Below)	File Reference	Report Date	Test Record No.
LOADING:	1	E486300	2021-03-31	1
GLASS SUPPORT ADHESIVE:	2	E486300	2021-03-31	1
GLASS SUPPORTED BY FRICTION OR ADHESIVE:	2	E486300	2021-03-31	1
STRUCTURE MOUNTED OR SECURED FURNISHING TESTS - SUSPENDED FURNISHING, SECUREMENT TEST:	1	E486300	2021-03-31	1
1. Similar mounting means with screws. 2. Same adhesive and adhesion surface.				

TEST RECORD SUMMARY:

The results of this investigation, including construction review and testing, indicate that the products evaluated comply with the applicable requirements in the standard(s) noted below and, therefore, such products are judged eligible to bear UL's Mark as described on the Conclusion Page of this Report.

Standard	Title	Edition or Publication Date	Latest Revision Date
UL 1598	Luminaires	3rd Edition	2012-10-17
CSA C22.2 No. 250.0-08	Luminaires	3rd Edition	2012-10-17

Any information and documentation involving UL Mark services are provided on behalf of UL LLC (UL) or any authorized licensee of UL.

Evaluated by:

Harvey Lin
Engineer
UL-CCIC Guangzhou

Reviewed by:

Ken Guan
Senior Project Engineer
UL-CCIC Guangzhou

CONCLUSION

Samples of the products covered by this Report have been found to comply with the requirements covering the category and the products are found to comply with UL's applicable requirements. The description and test result in this Report are only applicable to the sample(s) investigated by UL and does not signify UL certification or that the product(s) described are covered under UL's Follow-Up Service Program. When covered under UL's Follow-Up Service Program, the manufacturer is authorized to use the Certification Mark of UL on such products which comply with UL's Follow-Up Service Procedure and any other applicable requirements of UL LLC. The Certification Mark of UL on the product, or the UL symbol on the product and the Certification Mark of UL on the smallest unit container in which the product is packaged, is the only method to identify products investigated by UL to published requirements and manufactured under UL's Listing and Follow-Up Service.

This Report is intended solely for the use of UL LLC (UL) and the Applicant for establishment of UL certification coverage of the described product(s) under UL's Follow-Up Service. UL retains all rights, title and interest (including exclusive ownership) in this Report and all copyright therein. The Applicant or its designated agent shall not disclose or otherwise distribute this Report or its contents to any third party, except as required for purposes of compliance with laws, regulations, or other existing agreements or schemes in which UL is currently a participant. Any other use of this Report including, without limitation, evaluation or certification by a party other than UL is prohibited and renders this Report null and void. UL shall not incur any obligation or liability for any loss, expense, or punitive damages, arising out of, or in connection with, the use or reliance upon the contents of this Report to anyone other than the Applicant as provided in the agreement between UL and Applicant. Any use or reference to UL's name or certification mark(s) by anyone other than the Applicant in accordance with the agreement is prohibited without the express written approval of UL. Any information and documentation involving UL Mark services are provided on behalf of UL LLC (UL) or any authorized licensee of UL. Any information and documentation involving UL Mark services are provided on behalf of UL LLC (UL) or any authorized licensee of UL. UL shall not otherwise be responsible to anyone for the use of or reliance upon the contents of this Report.

Evaluated by:
Ken Guan
Associated Project Engineer
UL-CCIC (Guangzhou)

Reviewed by:
Rachel Cai
Project Engineer
UL-CCIC (Guangzhou)