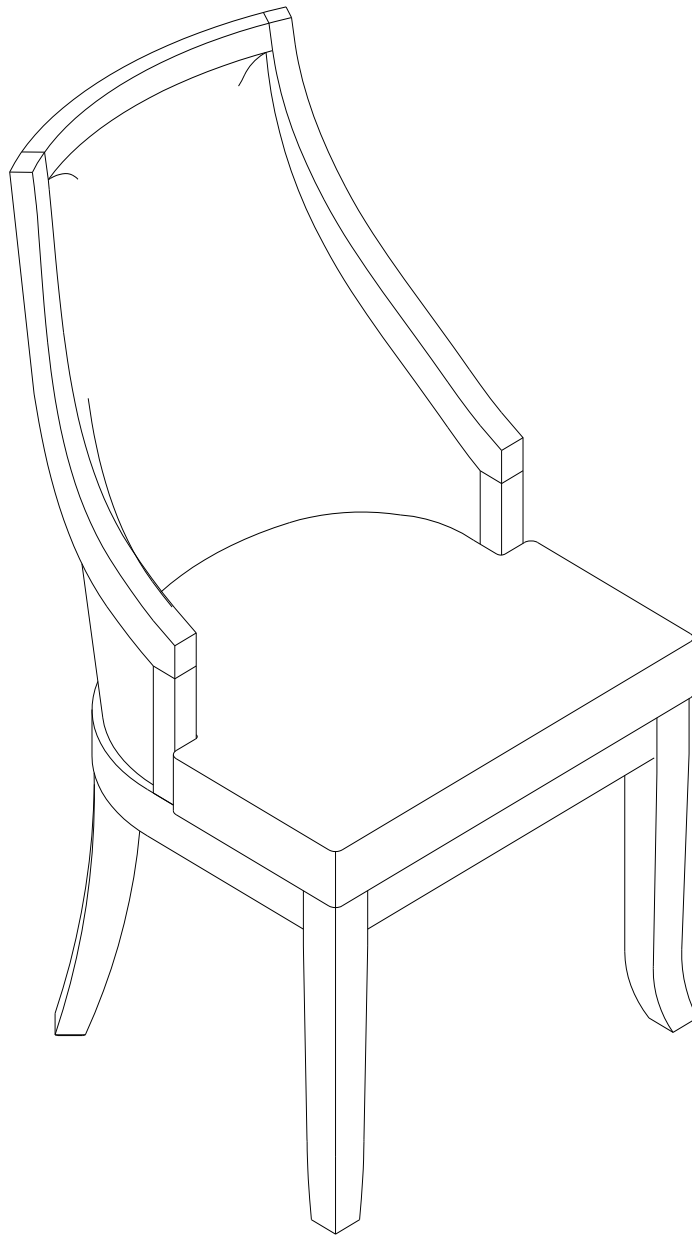


Assembly Instructions

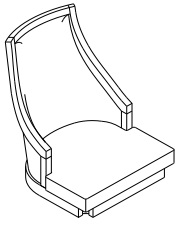


Caution : You must read this before you proceed

Please look in Chair Seat for hardware pack and legs.

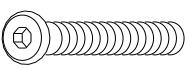


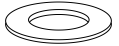

Dining Chair



Parts List

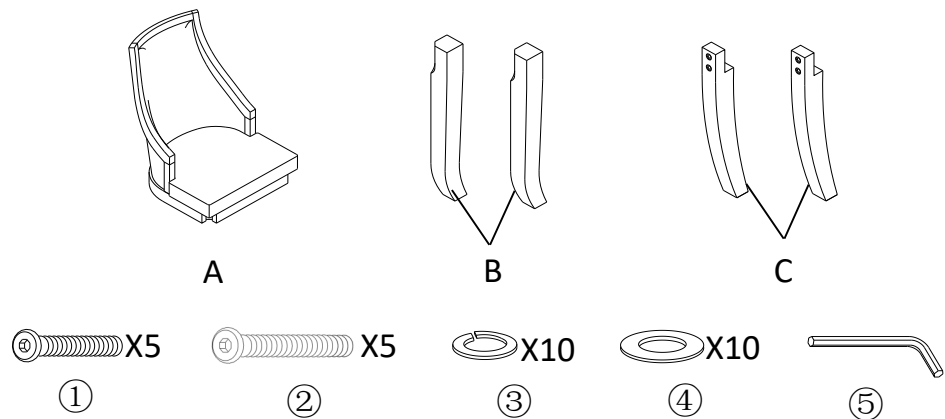
Label	Picture	Description	QTY
A		Chair Seat	1
B		Front Leg	2
C		Back Leg	2

Hardware

Label	Picture	Description	QTY
①		Bolt (M8*55mm)	5
②		Bolt (M8*70mm)	5
③		Spring Washer (M8)	10
④		Flat Washer (M8)	10
⑤		5mm Allen Wrench	1

Assembly Preparation

Before Beginning Assembly:



• Read instructions, cover to cover-



• Have 2 adults on hand for assembly-



• Do not assemble on flooring or carpet-



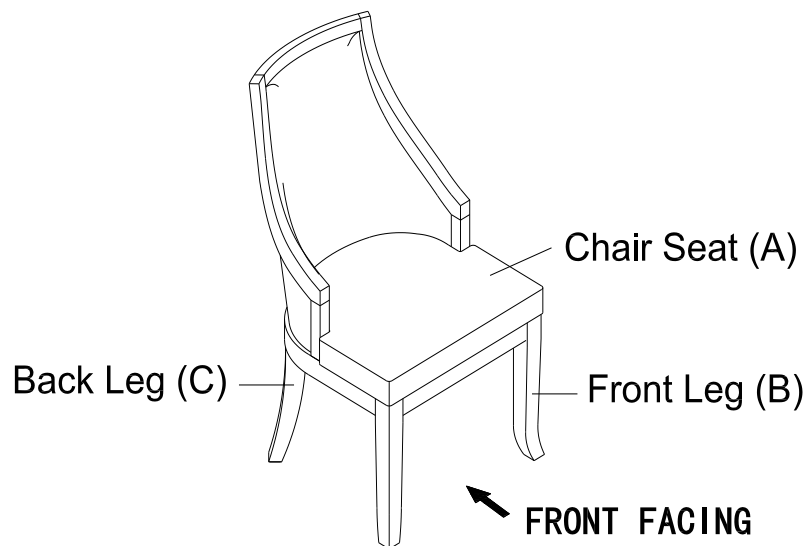
• Assemble on a clean non-marring surface (packing foam)-



• Save all packaging until finished-

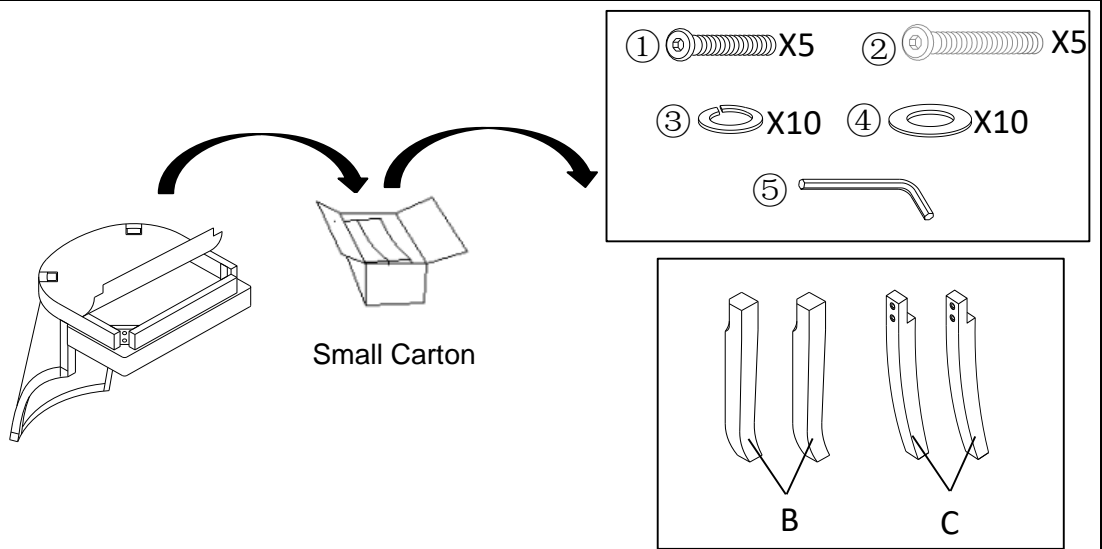
Assembly Steps

Overview



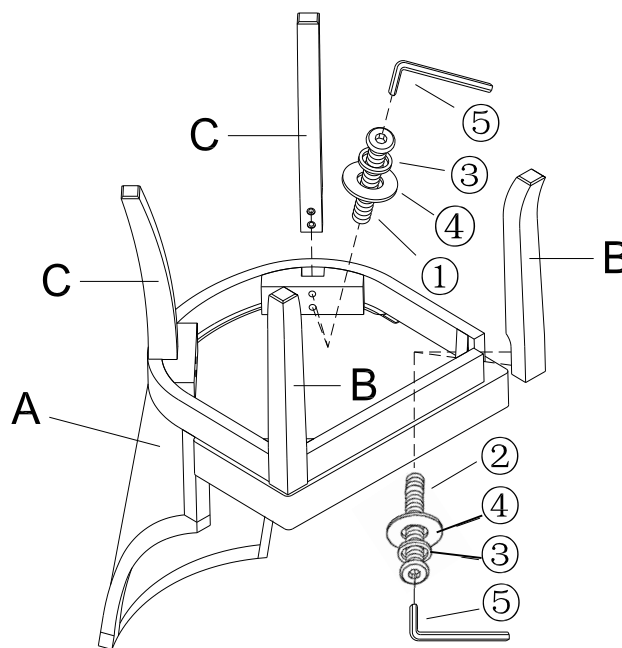
This Dining Chair has multiple parts and may require up to 30 minutes to assemble. To give you an overview of the Dining Chair parts, the above picture is to help you put the various parts into perspective. Please read through the instructions below to familiarise yourself with the parts and steps before assembly.

Step 1



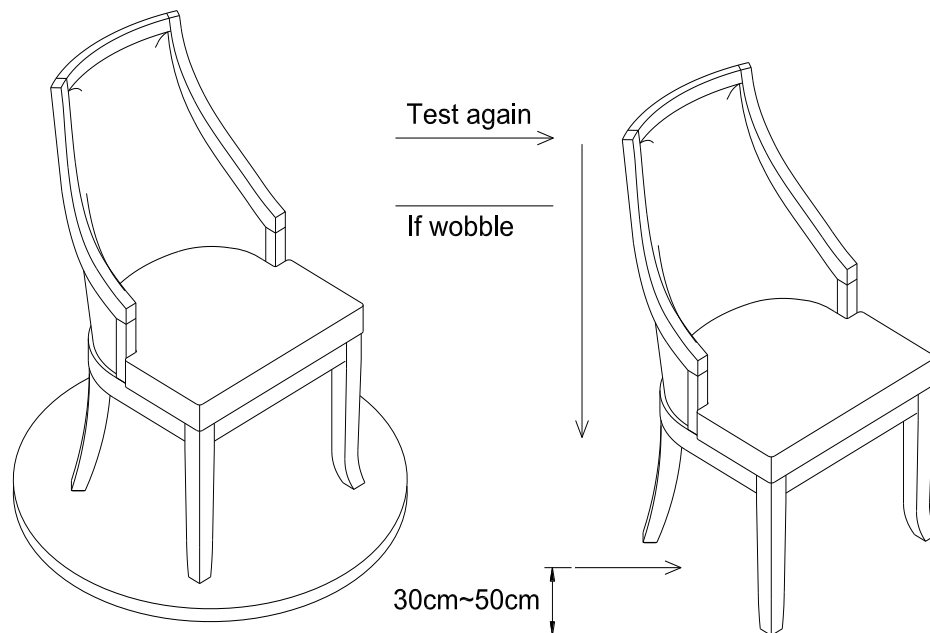
Take the small carton from the Base of Chaire Seat(A) and open it to take out the Front Legs(B), Back Legs(C), and hardware. Place all the parts on a clean, non-marring surface.

Step 2



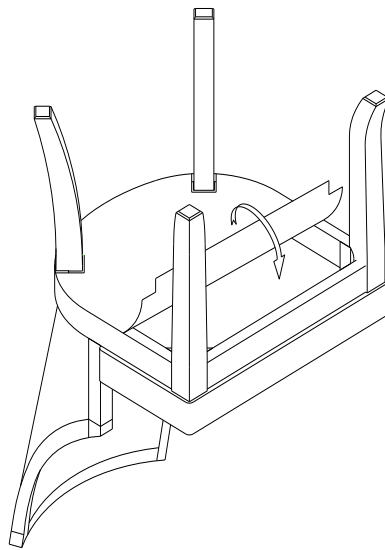
You will now have the Chair Seat bottom (A) , the Front Legs(B) and Back Legs(C) facing upwards.
Insert the Front Leg(B) completely vertical into seat frame conner by using 4 Bolt 70mm② + 4 Spring Washer③+ 4 Flat Washer④ with Allen Wrench⑤.
Insert the Back Legs(C) completely vertical into seat frame conner by using 4 Bolt 55mm① + 4 Spring Washer③+ 4 Flat Washer④ with Allen Wrench⑤.

Step 3



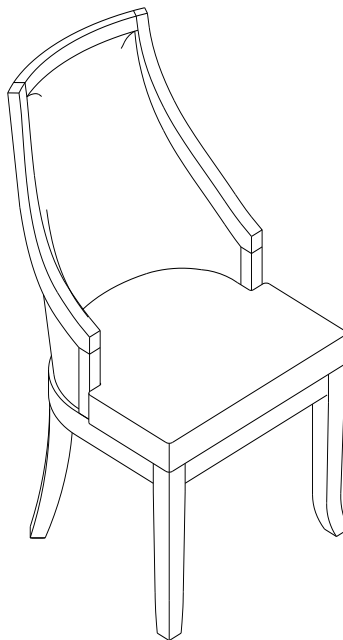
Place the Chair on a level Surface to check for wobbles.
If it wobbles, lift the Chair some 30cm to 50cm high from the ground.
Keep your feet and toes well away from the drop zone.
Drop Chair freely and vertically, with all four legs hitting the ground at the same time.
This Drop Test will help to ensure that all Bolts and gaps reach full alignment status.
Test again for evenness on a Level Surface.
If no wobbles are found, proceed to tighten all the Bolts.
When tightening the Bolts, tighten sequentially.
Do not fully tighten any Bolt fully and then move on towards the next one. This may cause the frame to warp.
If there is still wobbles, loosen the Bolts and execute this same drop test.

Step 4



Place the Seat Base Cover back as shown in picture.
Smooth the Magic Tape down, Make sure all parts are connected and securely locked into position.

Step 5



Your Chair is ready for use.
This Dining Chair can only be used on a flat, level surface.

Care & Maintenance



- Furniture may scratch floors. We recommend using furniture pads to protect your floors.



- Do not put hot items directly on furniture surface.



- Do not clean furniture with harsh cleansers or polish.



- Do not place furniture under direct sunlight.



- Do not place furniture near heating or cooling vents.



- Do not write on furniture without a padded barrier to protect the surface.



- Do not place furniture outside . For indoor use only.



- Not for commercial use. For residential use only.



- Stains may be removed with mild soap solution and damp cloth.



- Children should not climb or jump on the furniture.



- Dust and pick-up spills using a clean, non-colored, lint-free cloth.