

Assembly Instructions

Caution: You must read this before you proceed

Table

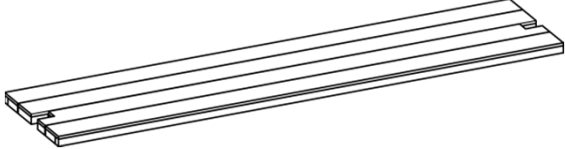
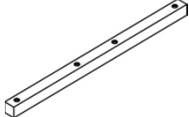
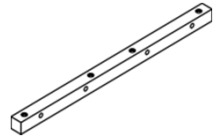
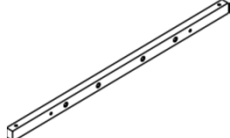


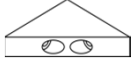



Caution: This Table is NOT a TOY

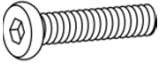
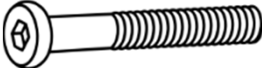


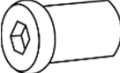
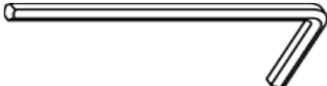
Keep your child/children at bay during the assembly process.

Whenever moving/lifting the Table and to prevent damage to the Table, two adults are needed to execute these actions.

Parts List

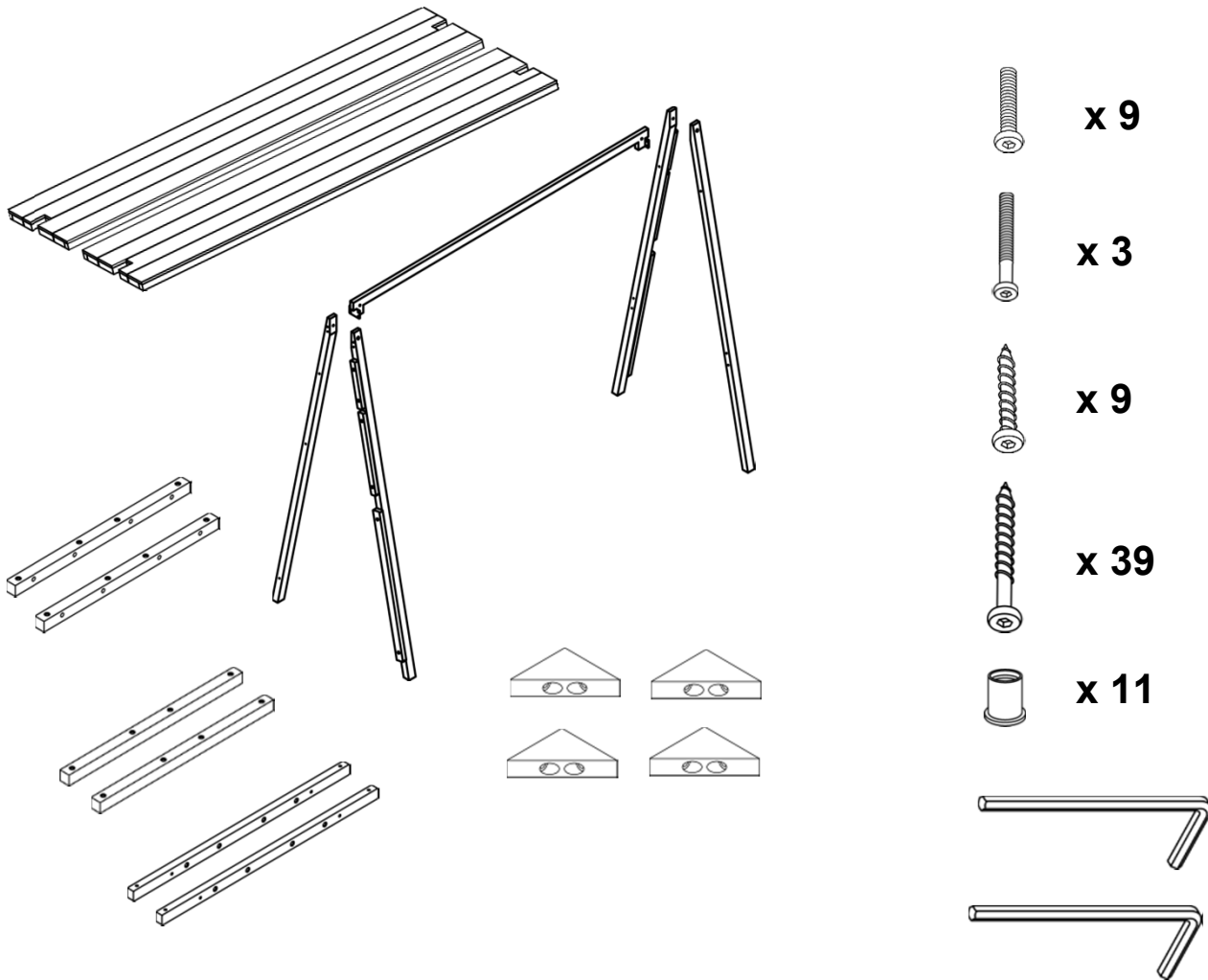
Label	Picture	Description	QTY
A		Table Top	2
B		Table Top Middle Support Bar	2
C		Table Top Side Support Bar	2
D		Table and Leg Support Bar	2
E		First Leg with Pre-fixed Leg Support Bar	2
F		Second Leg	2
G		Corner Block	4
H		Top Support Bar	1

Hardware

Label	Picture	Description	QTY
①		Bolt (M8x45mm)	9
②		Bolt (M8x70mm)	3
③		Screw (M6x40mm)	9
④		Screw (M6x55mm)	39
⑤		Sleeve Nut (M8x15mm)	11
⑥		Allen Key	2

Assembly Preparation

Before Beginning Assembly:



- Read instructions, cover to cover-



- Have 2 adults on hand for assembly-



- Do not assemble on flooring or carpet-



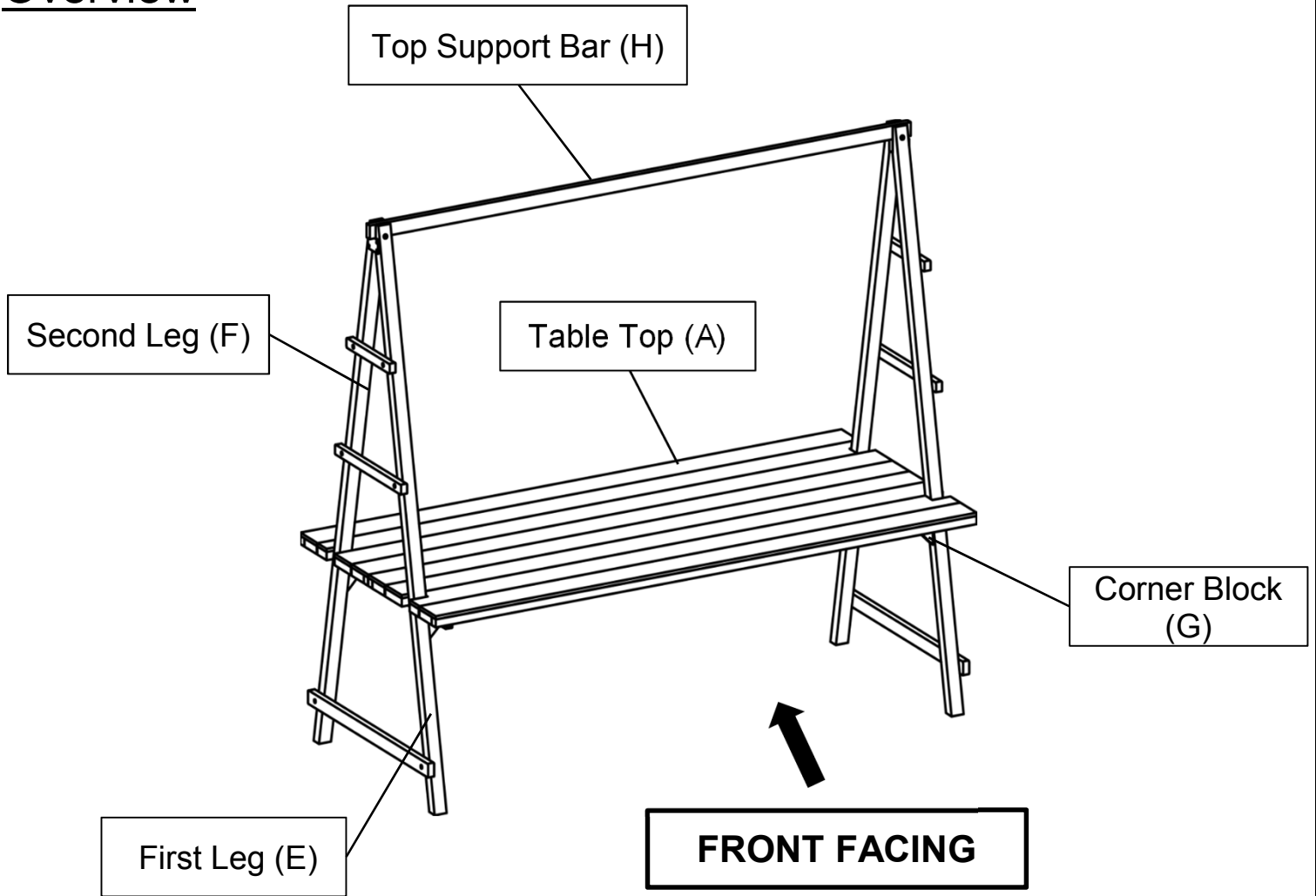
- Assemble on a clean non-marring surface (packing foam)-



- Save all packaging until finished-

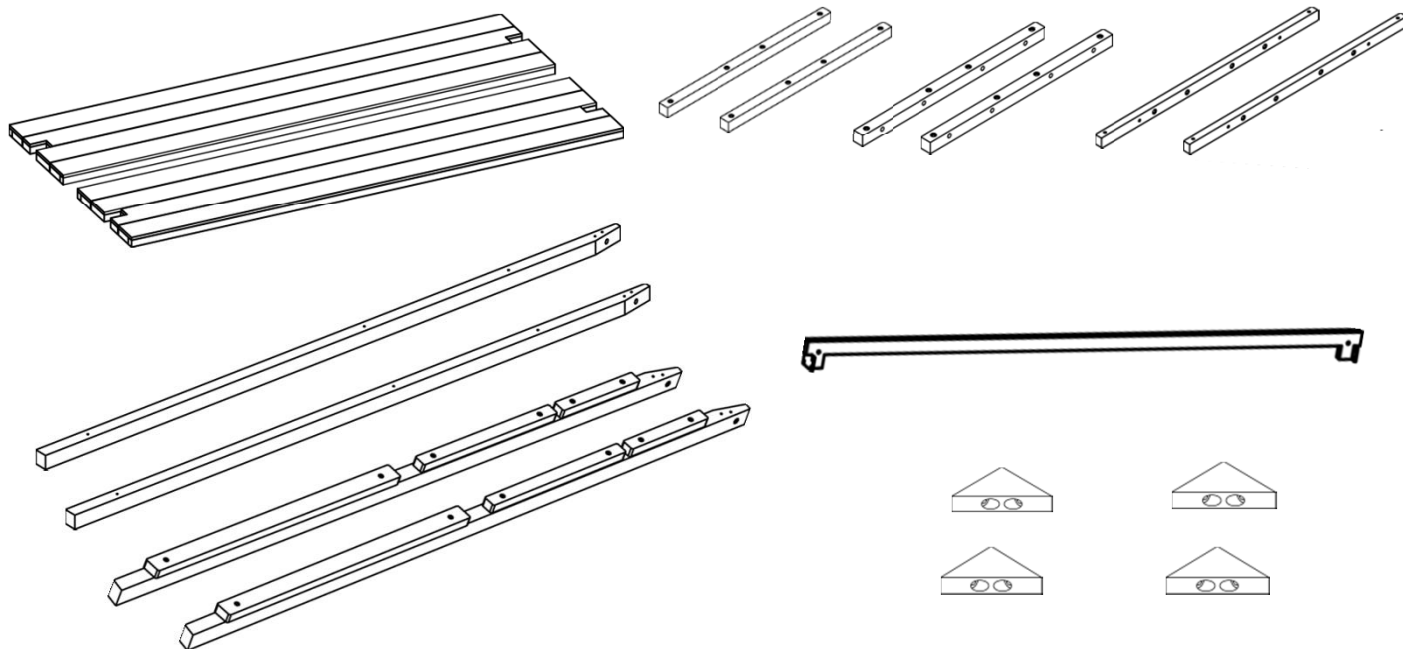
Assembly Steps

Overview



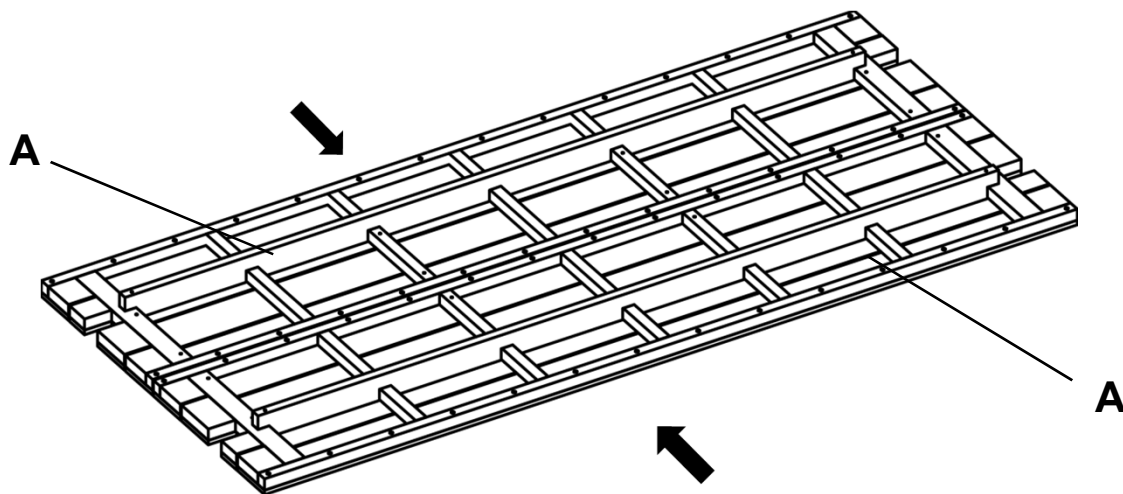
This Table has multiple parts and may require up to 30 minutes to assemble. To give you an overview of the Table parts, the above picture is to help you put the various parts into perspective. Please read through the instructions below to familiarise yourself with the parts and steps before assembly.

Step 1



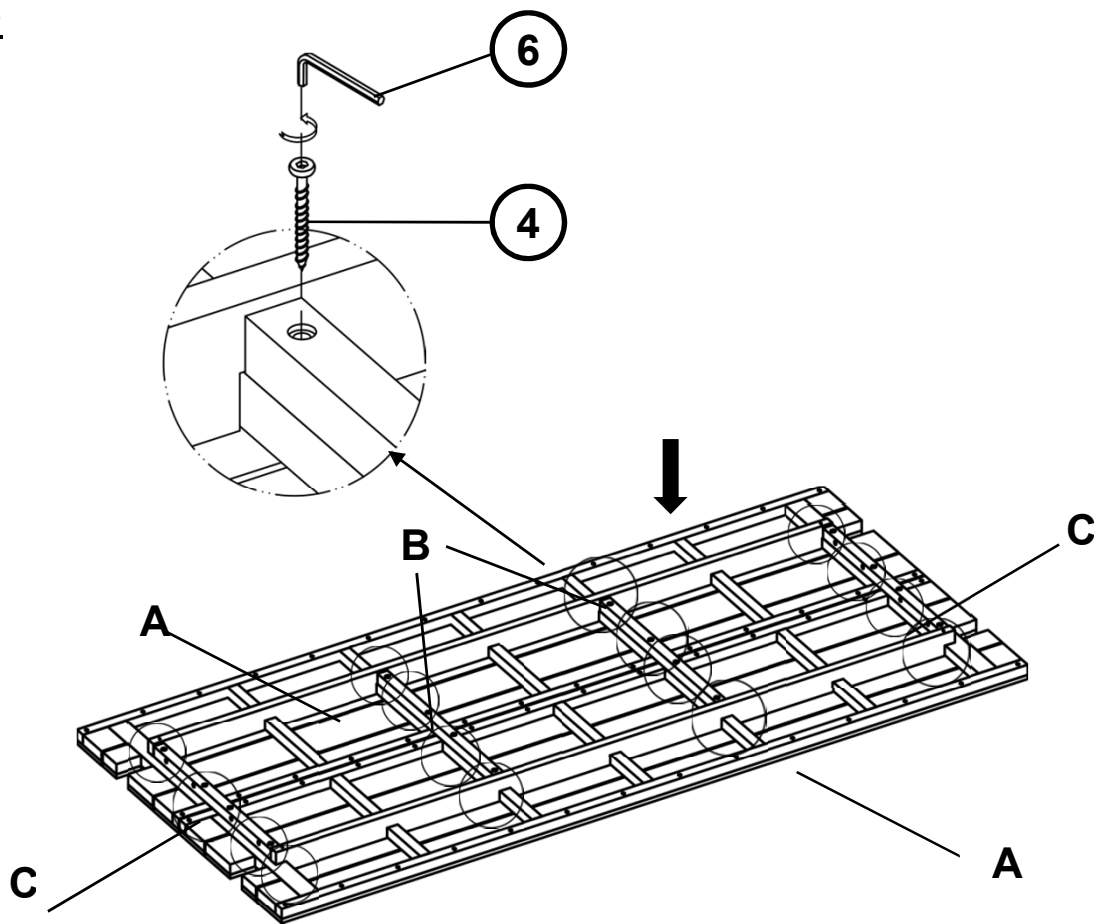
Unpack and place all parts on a clean, non-marring surface.

Step 2



Place both Table Tops(A) facedown onto a clean, non-marring surface.
Then align them as pictured.

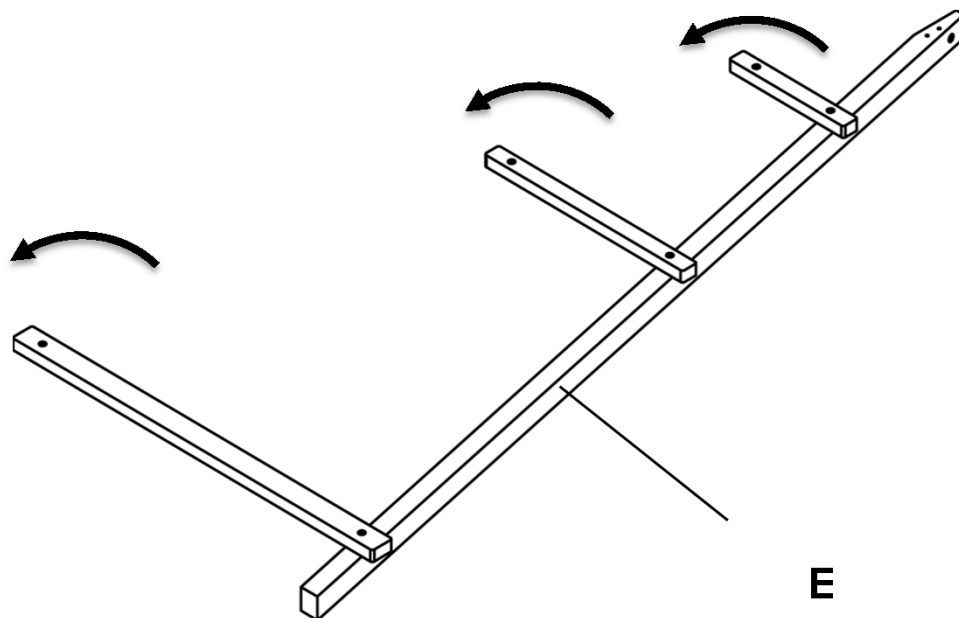
Step 3



Attach Table Top Middle Support Bars(B) and Table Top Side Support Bars(C) to Table Tops(A) using Screws(4) with Allen Key(6) as pictured above.

Do not fully tighten the Screws.

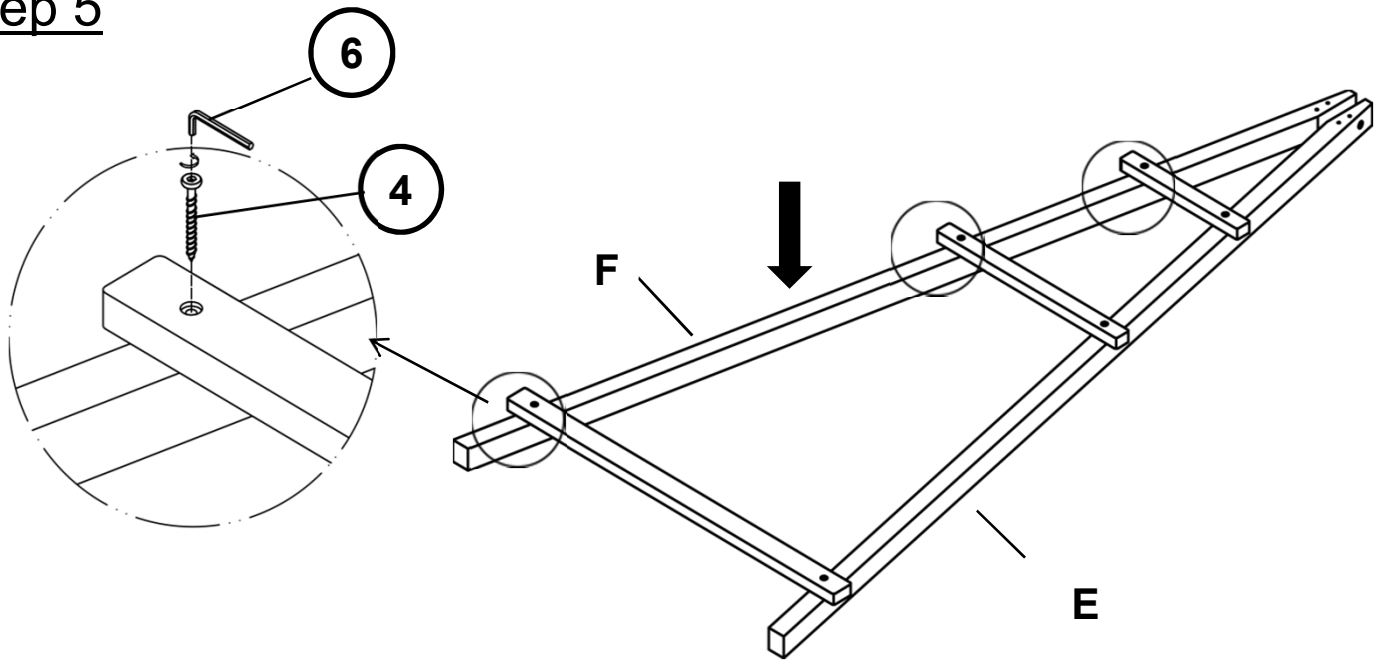
Step 4



Rotate the Leg Support Bars of First Legs(E) 90 degrees as pictured above.

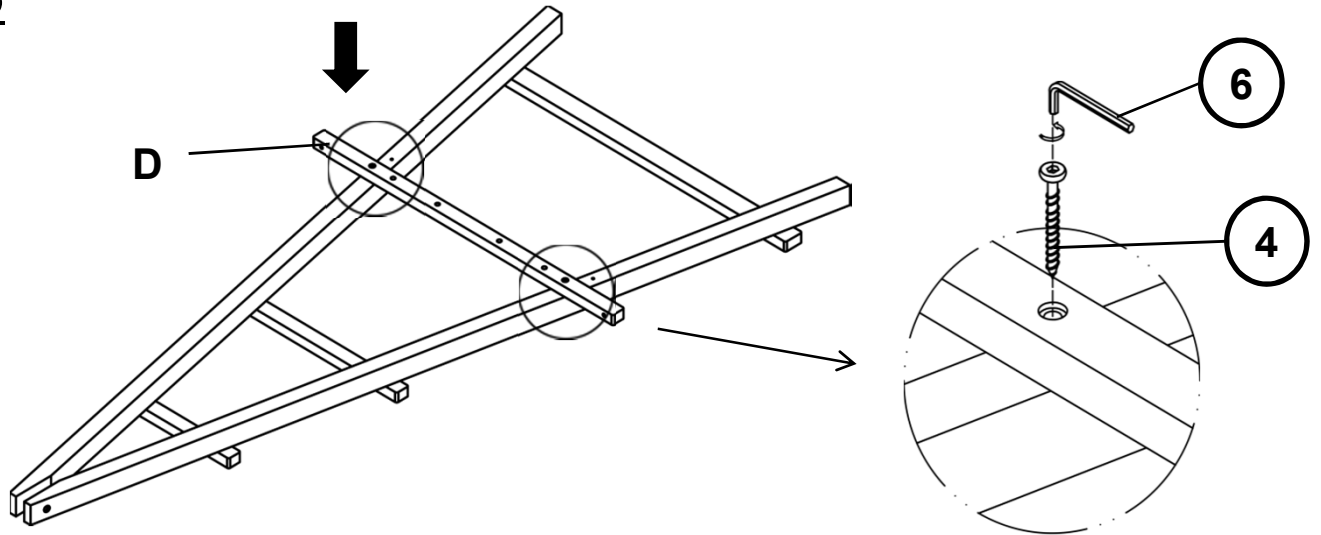
Caution: Be careful when moving the First Legs(E) to prevent your fingers getting trapped or pinched, or damage to the Supports Bars.

Step 5



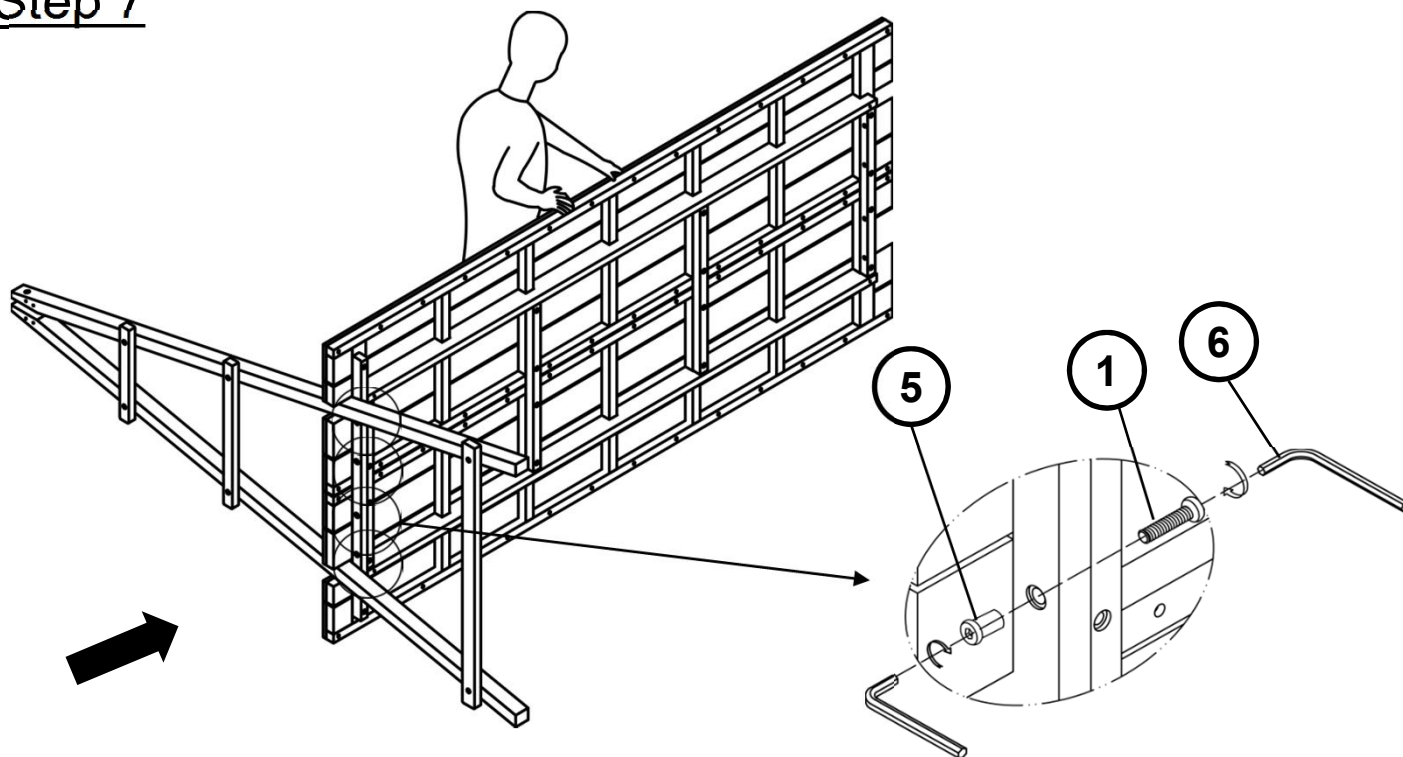
Attach Second Legs(F) to the Leg Support Bars of First Legs(E) using Screws(④) with Allen Key(⑥) as pictured above.
Do not fully tighten Screws.

Step 6



Attach Table and Leg Support Bars(D) to Legs using Screws(④) with Allen Key(⑥) as pictured above.
Do not fully tighten Screws.

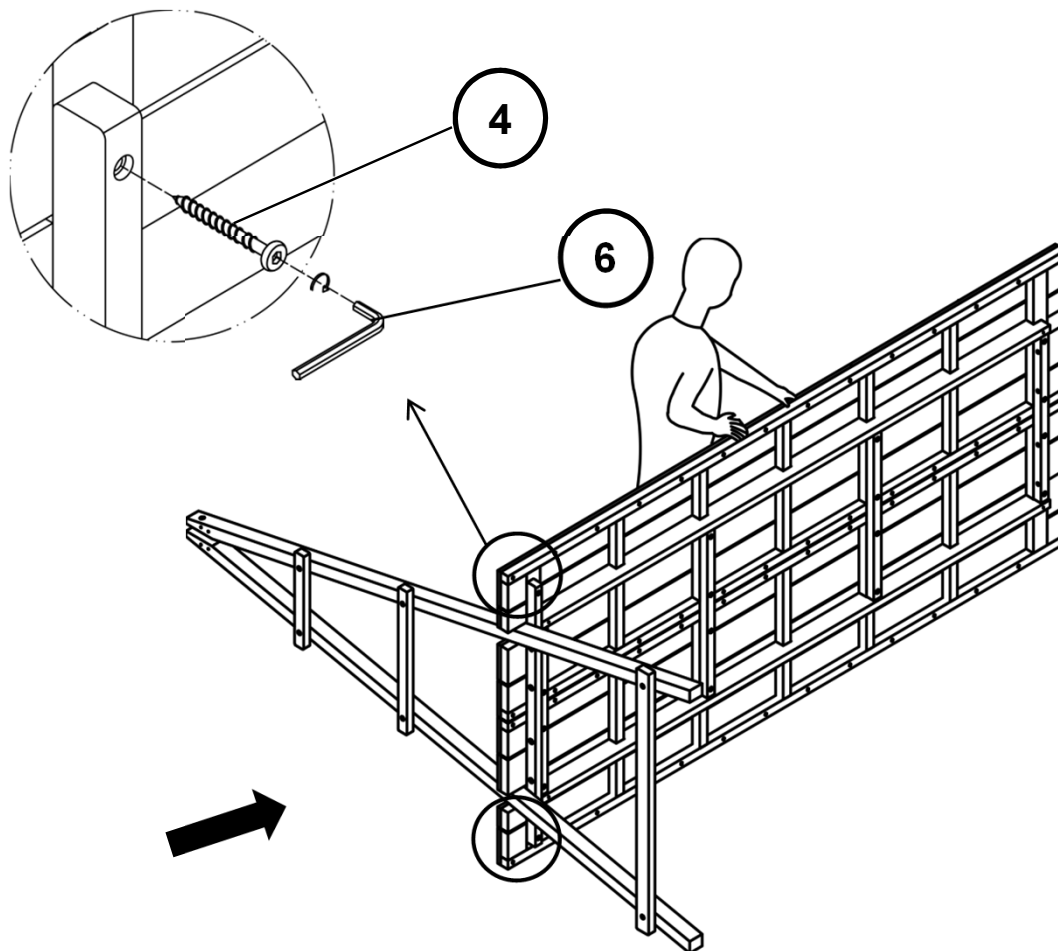
Step 7



With the help from your adult partners, attach the Finished Leg Frame to the Table Tops using Bolts(①) and Sleeve Nuts(⑤) with Allen Keys(⑥) as pictured above.

Do not fully tighten the Bolts.

Step 8

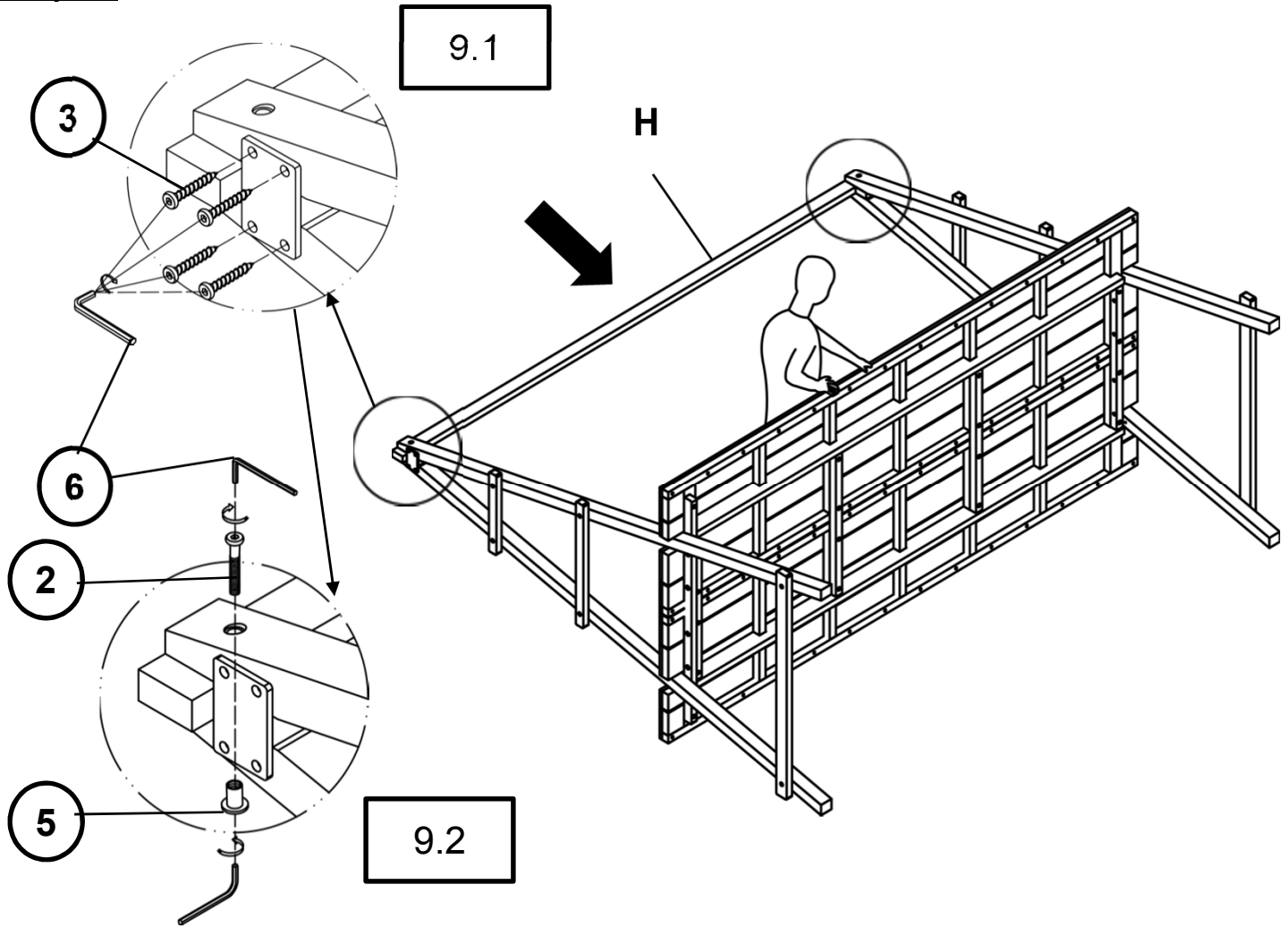


Attach Table and Leg Support Bar(D) to Table Tops using Screws(④) with Allen Key(⑥) as pictured above.

Repeat the same process with the remaining Leg Frame.

Do not fully tighten the Screws.

Step 9



With assistance from your adult partner, place the Top Support Bar(H) onto the Leg Frame pictured above.

9.1) Attach the Top Support Bar(H) to Leg Frame using Screws(③) with Allen Key(⑥) as pictured above.

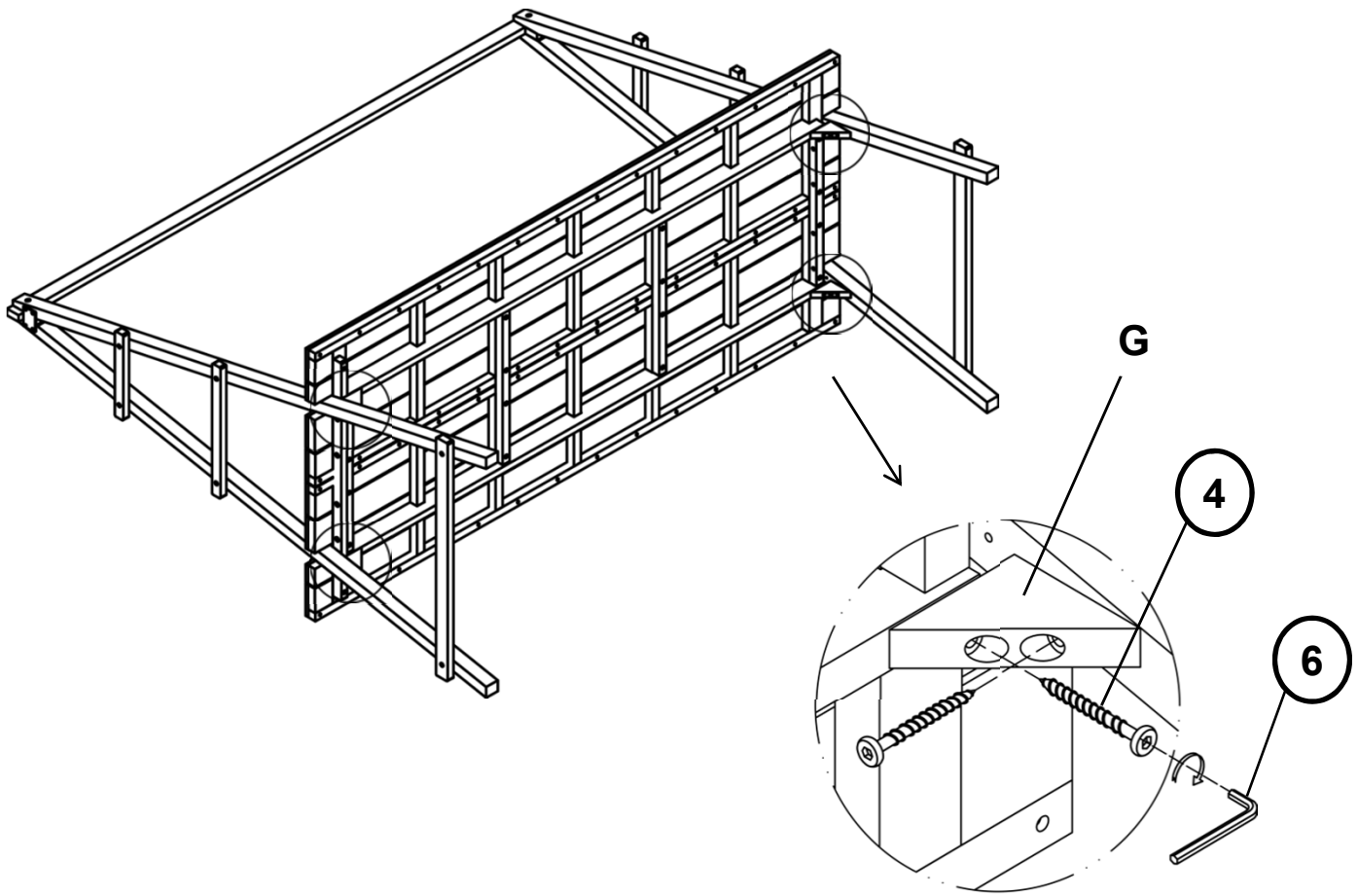
9.2) Secure the Top Support Bar(H) to Leg Frame using Bolts(②) and Sleeve Nuts(⑤) with Allen Keys(⑥) as pictured above.

Note: You might need to apply a little pressure to the Leg Frame pushing outwards slightly to insert the Top Support Bar(H).

You should keep the Leg Frame from touching the ground when assembling this step to avoid any scratches to the Leg Frame.

Do not fully tighten the Bolts and the Screws.

Step 10



Attach Corner Blocks(G) to Leg Frames and Table Top using Screws(④) with Allen Key(⑥) as pictured above.

Do not fully tighten Screws.

Step 11



Stand the Table up with assistance from your adult partner.

Exert pressure floorwards, onto the Table with both your hands.

This pressure will help the Legs and Table Top reach full alignment status.

Check for wobbles on a LEVEL surface.

If no wobbles are found proceed to tighten the Bolts and Screws in a sequential manner, until evenly secured.

When tightening the Bolts and Screws tighten sequentially.

Do not tighten any Bolt or Screw fully and then move on towards the next one.










If there are still wobbles, loosen the Bolts and Screws and execute the same above process.

When tightening the Bolts, Screws and Sleeve Nuts in a standing position, you should carefully stand on a ladder/step stool, for safety.

Your Table is ready for use.

This Table can only be used on a flat, level surface.

Care & Maintenance

-  ● Do not put hot items directly on furniture surface
 -  ● Do not clean furniture with harsh cleansers or polish.
 -  ● To obtain the longest lifespan of your outdoor products, minimizing exposure to direct sunlight is recommended.
 -  ● Children should not climb or jump on the furniture.
 -  ● Do not write on furniture without a padded barrier to protect the surface.
 -  ● To obtain the longest lifespan of your outdoor products, avoid extended and lengthy exposure to rain, snow, and direct sunshine. Whenever possible cover the product and /or place under patio or awnings.
 -  ● Not for commercial use. For residential use only .
 -  ● Stains may be removed with mild soap solution and damp cloth.
-
-  ● Dust and pick-up spills using a clean, non-colored, lint-free cloth .