

Assembly Instructions

TABLE

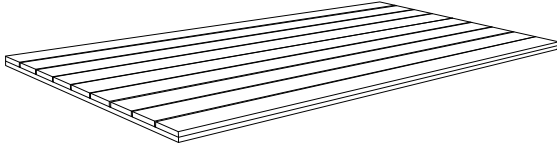

CAUTION: You must read this before you proceed.

Please look in the Table for hardware packs



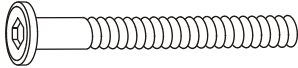



Caution: This Table is NOT a TOY.
Keep your child/children at bay during the assembly process.
Whenever lifting/moving the Table and to prevent damage to the Table, two adults are required to execute these actions.

Parts List

No.	Picture	Description	Qty
A		Table Top	1
B		Legs	4

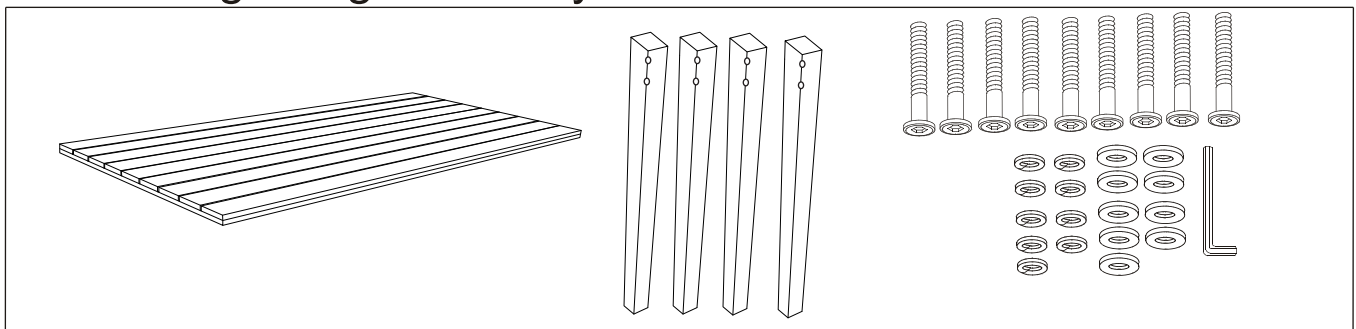
Hardware

Table Hardware

No.	Picture	Description	Qty
①		Long Bolts (M8 x 90mm)	9
②		Spring Washer	9
③		Washer	9
④		Allen Key	1

Assembly Preparation

Before Beginning Assembly:



Read instructions, cover to cover.



Have 2 adults on hand for assembly.



Do not assemble on flooring or carpet.



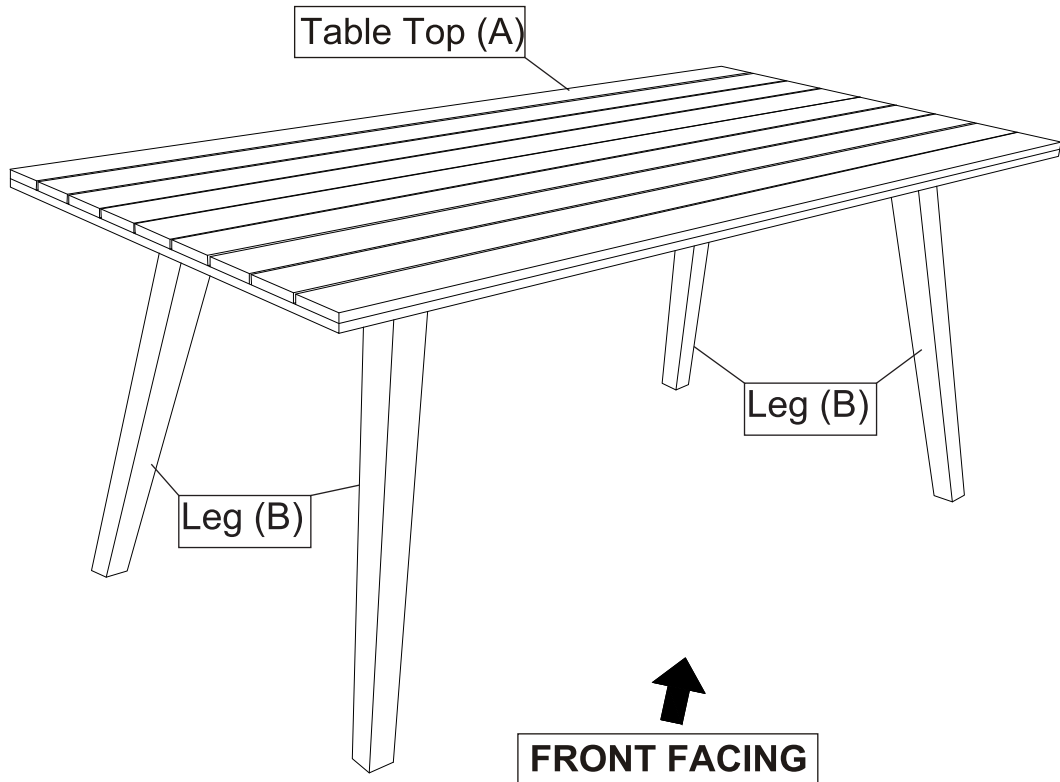
Assemble on a clean non-marring surface (packing foam).



Save all packaging until finished.

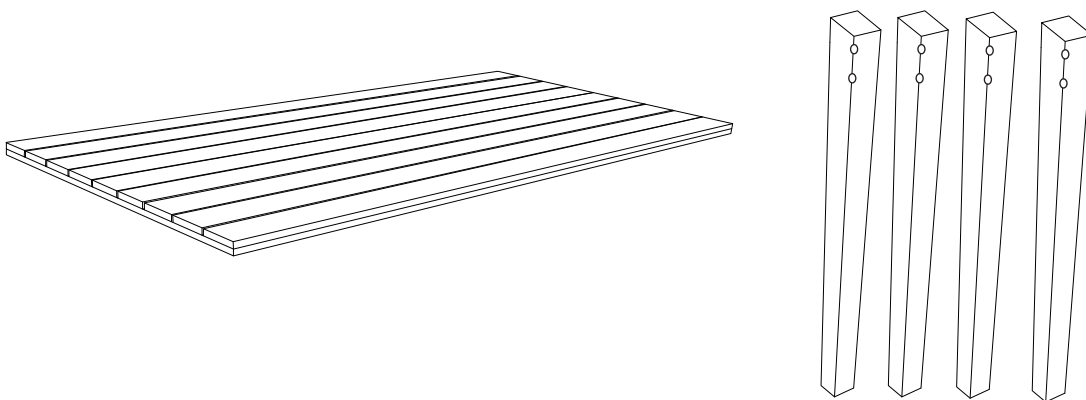
Assembly Steps

OVERVIEW



This Table has multiple parts and may require up to 30 minutes to assemble. To give you an overview of the Table, the above picture is to help you put the various parts into perspective. Please read through the instructions below to familiarise yourself with the parts and steps before assembly.

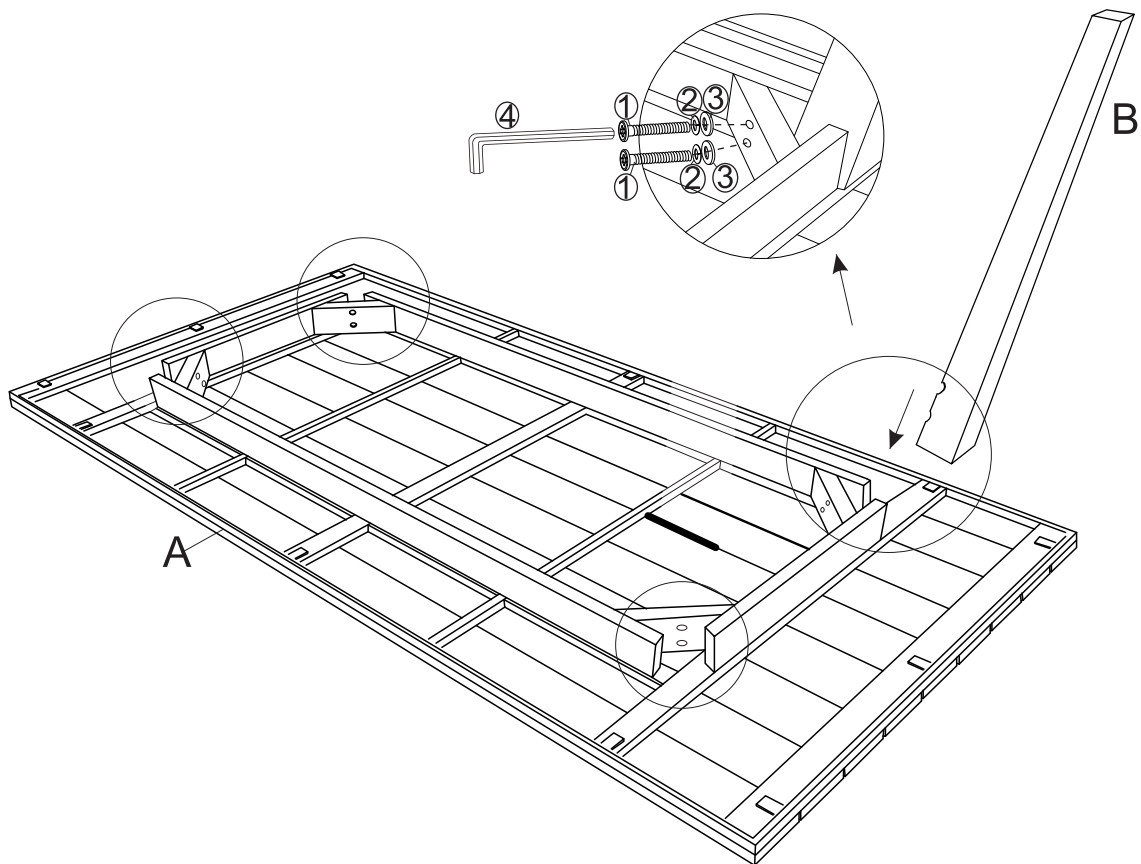
Step 1



Unpack and place all parts on a clean, non-marring surface.

Assembly Steps

Step 2



With assistance from your adult partner, place the Table Top(A) facedown as pictured above.

Attach Leg(B) to Table Top(A) using Bolts(①), Spring Washers(②), and Washers(③) with Allen Key(④) as shown above.

Do not fully tighten the Bolts.










Repeat the same process with the remaining three Legs(B).

Assembly Steps



With assistance from your adult partners, stand the Table up.
Exert pressure floorwards, onto the Table with both your hands.
This pressure will help the Legs and Table Top reach full alignment status.
Check for wobbles on a LEVEL surface.
If no wobbles are found proceed to tighten the Bolts in a sequential manner, until evenly secured.
When tightening the Bolts tighten sequentially.
Do not tighten any Bolt fully and then move on towards the next one.
If there are still wobbles, loosen the Bolts and execute the same above process.
If the Table is not Stable it could lead to damage to the product.
The Table is ready for use.
This Table can only be used on flat, level surface.

Care & Maintenance

-  Do not put hot items directly on furniture surface.
-  Do not clean furniture with harsh cleansers or polish.
-  To obtain the longest lifespan of your outdoor products, minimizing exposure to direct sunlight is recommended.
-  Children should not climb or jump on the furniture.
-  Do not write on furniture without a padded barrier to protect the surface.
-  To obtain the longest lifespan of your outdoor products, avoid extended and lengthy exposure to rain, snow, and direct sunshine. Whenever possible cover the product and /or place under patio or awnings.
-  Not for commercial use. For residential use only
-  Stains may be removed with mild soap solution and damp cloth.
-  Dust and pick-up spills using a clean, non-colored, lint-free cloth.