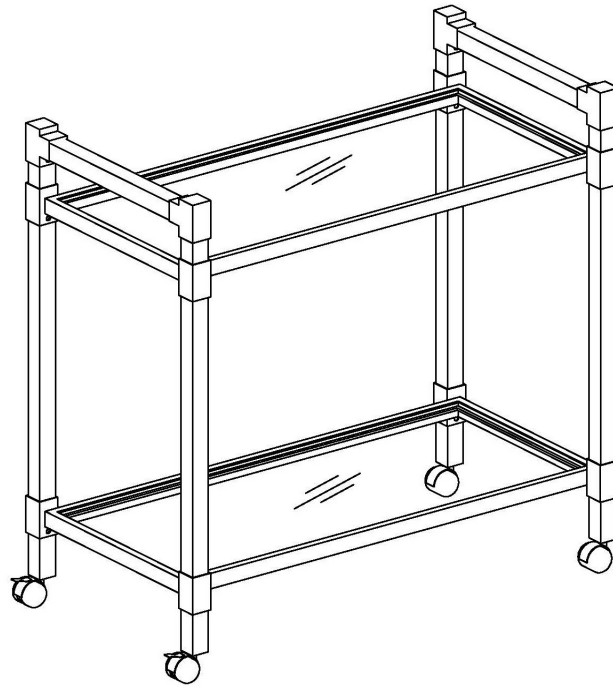


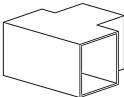
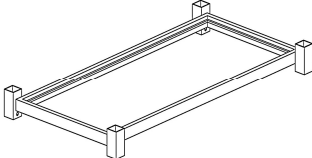
Assembly Instructions

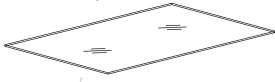
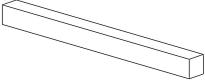
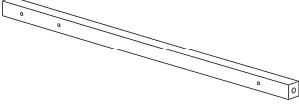

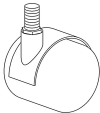
Caution : You must read this before you proceed

Bar Cart

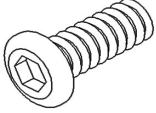





Parts List

Label	Picture	Description	QTY
A		Connecting metal tube	4
B		Metal shelf	2

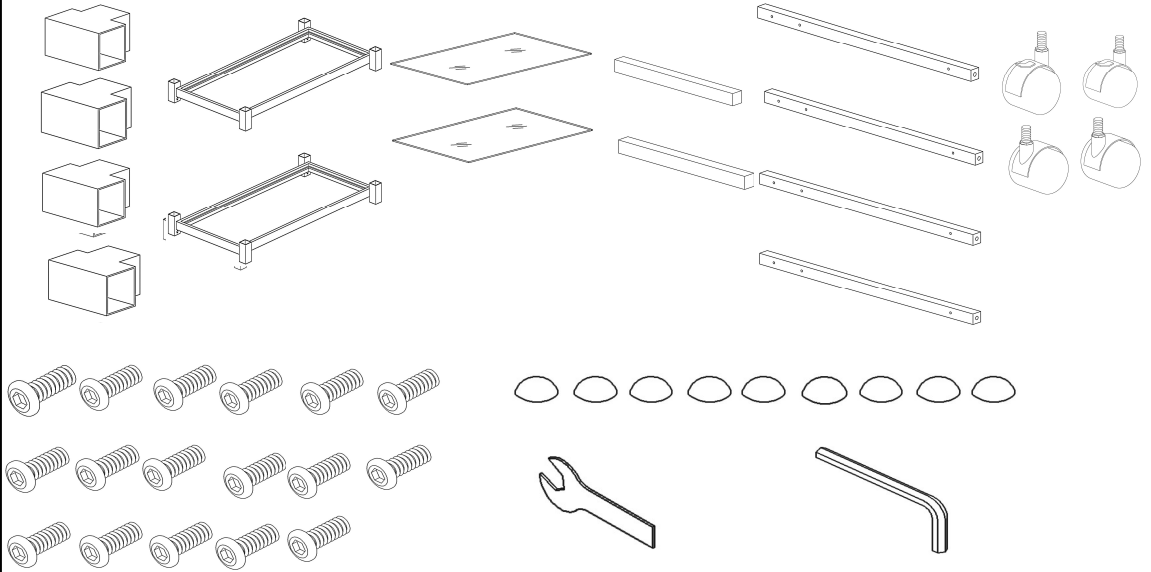
C		Clear glass	2
D		Acrylic armrest	2
E		Acrylic legs	4
F		Wheels with brakes	2
G		Wheels	2

Hardware

Label	Picture	Description	QTY
①		Bolt (M6*12mm)	17
②		Wrench	1
③		Pad	9
④		Allen Key	1

Assembly Preparation

**Before
Beginning
Assembly:**



- Read instructions, cover to cover-



- Have 2 adults on hand for assembly-



- Do not assemble on flooring or carpet-



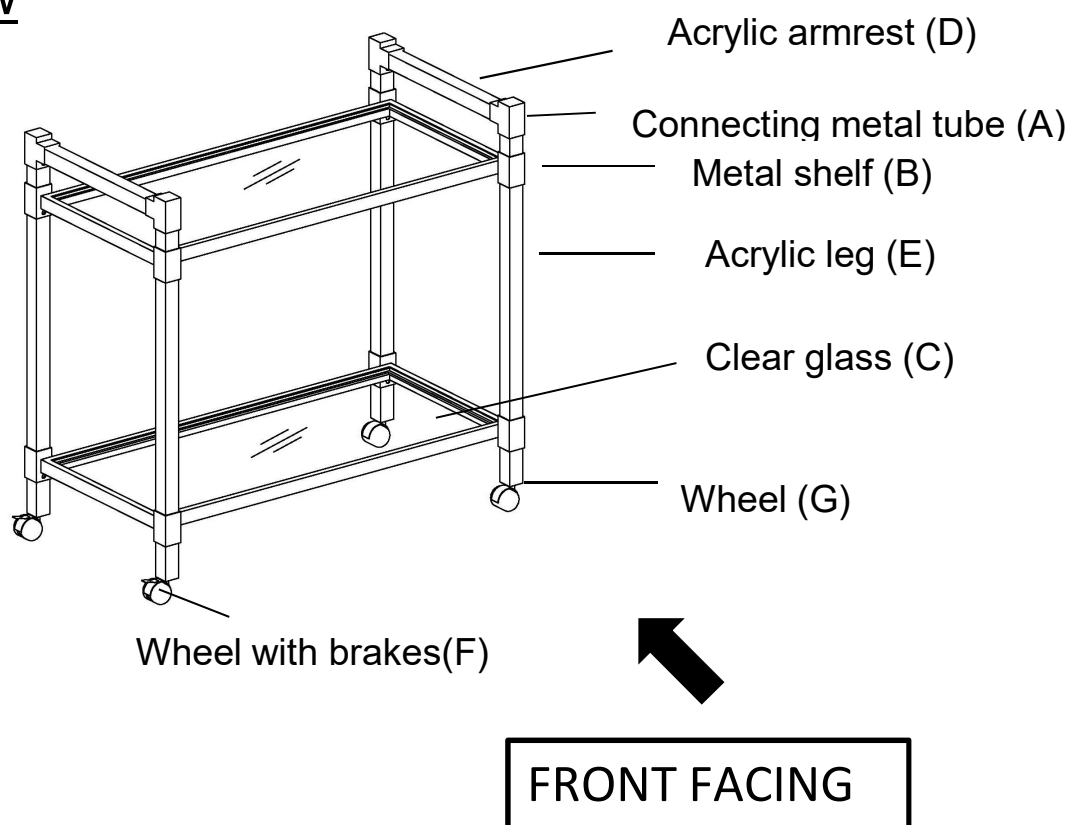
- Assemble on a clean non-marring surface (packing foam)-



- Save all packaging until finished-

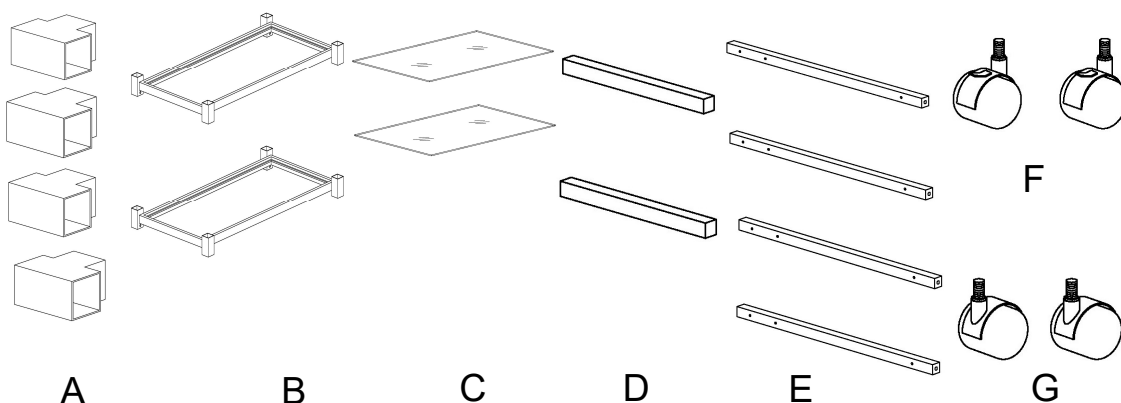
Assembly Steps

Overview



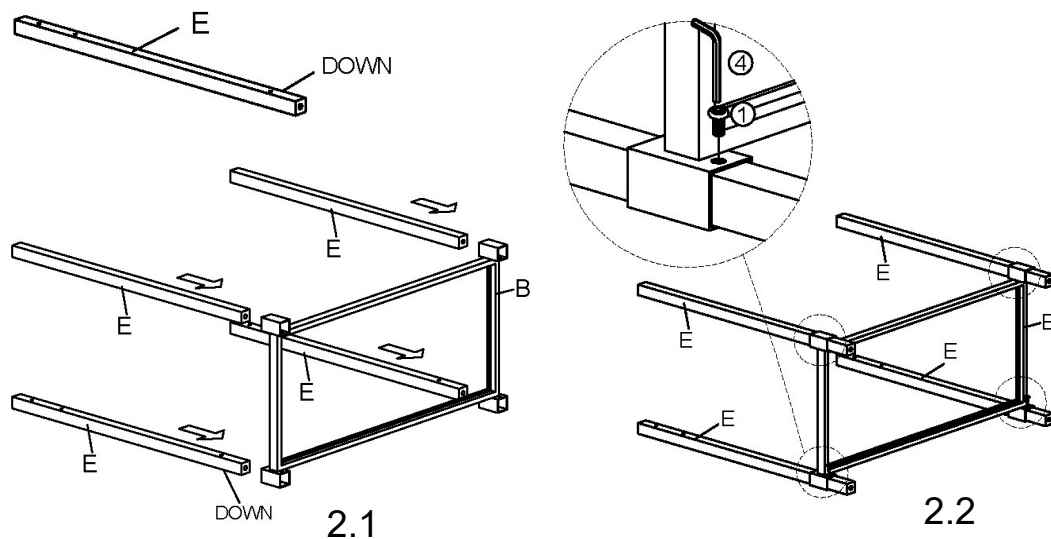
This Bar Cart has multiple parts and may require up to 30 minutes to assemble. To give you an overview of the Bar Cart, the above picture is to help you put the various parts into perspective. Please read through the instructions below to familiarise yourself with the parts and steps before assembly.

Step 1



Place the Connecting metal tube(A), Metal shelf (B), Clear glass (C),Acrylic armrest (D),Acrylic leg (E) ,Wheel with brakes(F) and Wheel (G) on a clean, non-marring surface.

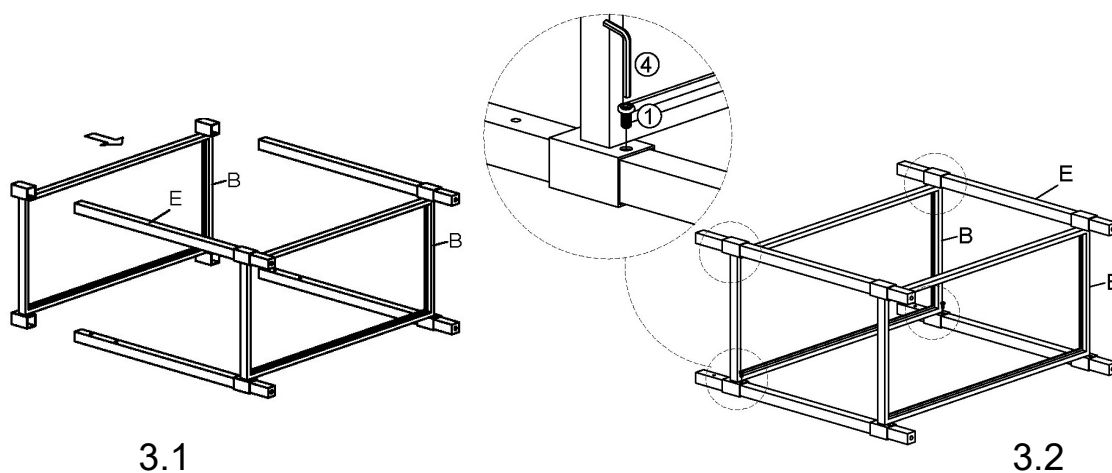
Step 2



2.1) Insert the Acrylic legs (E) to Metal shelf (B) using Bolt(①) with Allen Key(④) as shown above.

Note: At this step, do not fully tighten the bolts.

Step 3

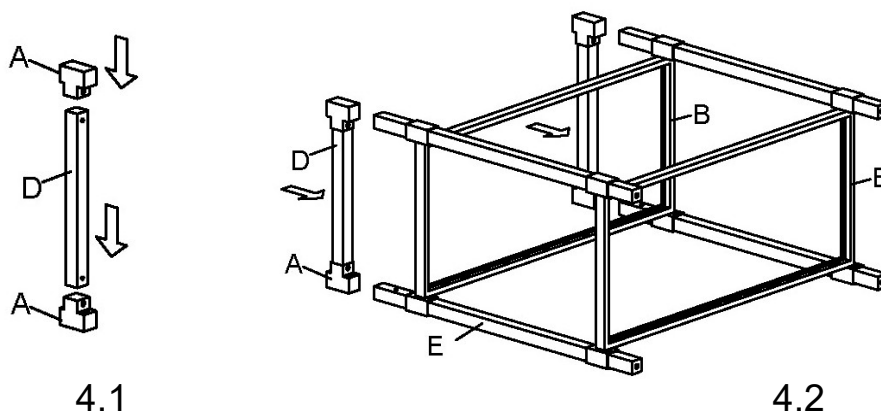


3.1) Insert the Metal shelf (B) to Acrylic legs (E) as shown above.

3.2) Insert the Metal shelf (B) to Acrylic legs (E) using Bolt(①) with Allen Key(④) as shown above.

Note: At this step, do not fully tighten the bolts.

Step 4

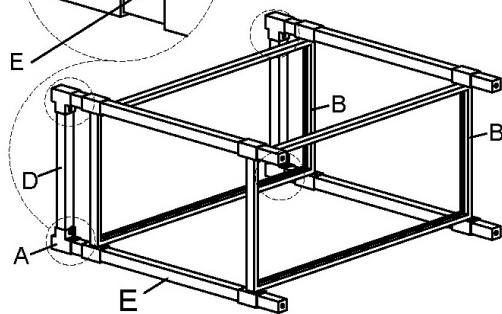
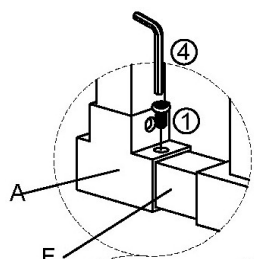


4.1) Insert the Connecting metal tube (A) to Acrylic armrest (D) as shown above.

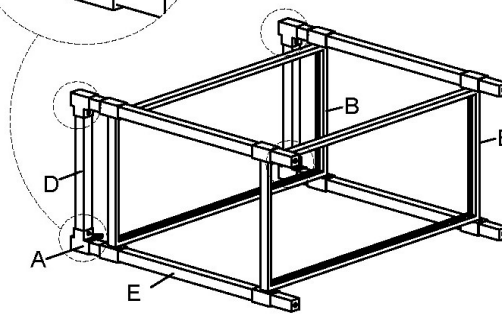
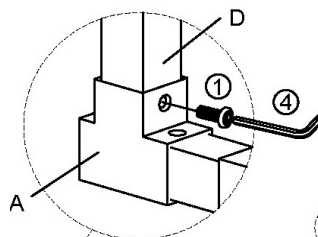
4.2) Insert the Connecting metal tube (A) to Metal shelf (B) as shown above.

Note: At this step, do not fully tighten the bolts.

Step 5



5.1



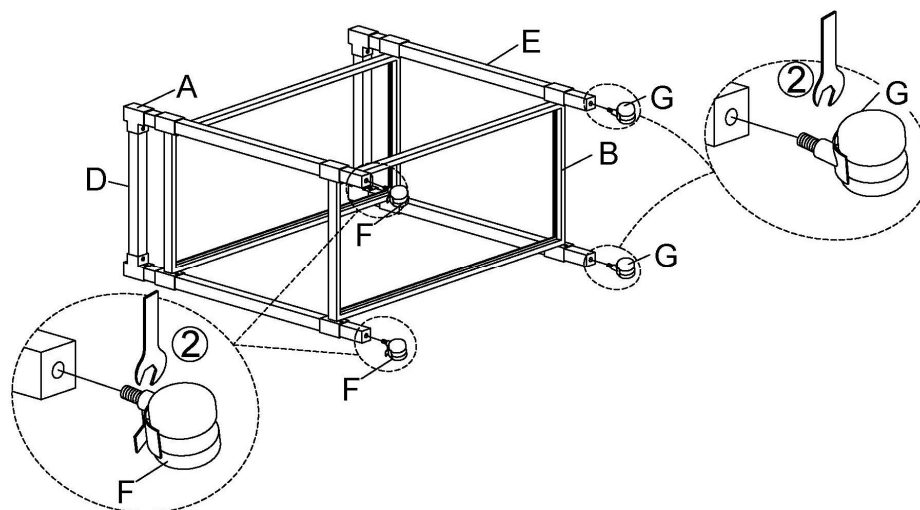
5.2

5.1) Using Bolt(①) with Allen Key(④) to fixed Connecting metal tube (A) and Acrylic leg (E) as shown above.

5.2) Using Bolt(①) with Allen Key(④) to fixed Connecting metal tube (A) and Acrylic armrest (D) as shown above.

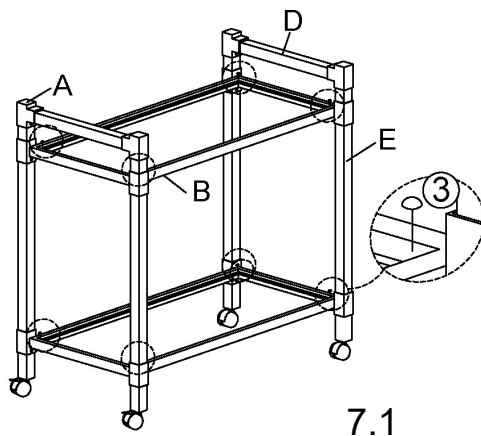
Tighten the Bolts fully in a sequential manner.

Step 6

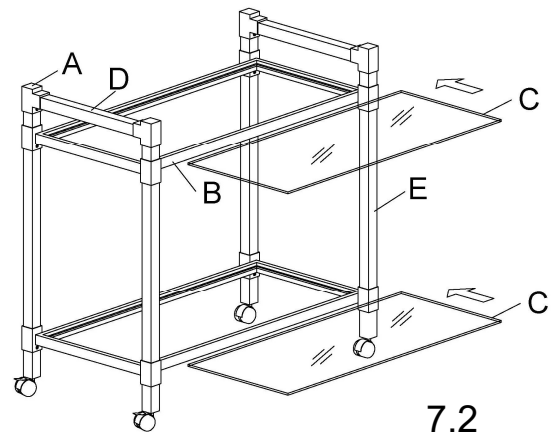


6.1) Attached Wheel with brakes(F) and Wheel (G) using Wrench (②) as shown above.

Step 7



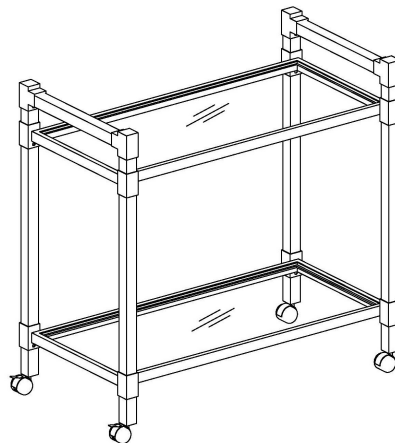
7.1



7.2

- 8.1)** Put the Pad(③) to the Metal shelf (B) to Acrylic leg (E) as shown above.
8.2) Put the Clear glass (C) to the Metal shelf (B) as shown above.

Step 8



Your Bar cart ready for use.

This Bar cart can only be used on a flat, level surface.

Soins et Maintien



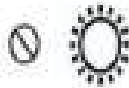
- Les meubles peuvent rayer le sol. Nous vous recommandons d'utiliser des patins de meubles pour protéger votre sol.



- Ne pas mettre les objets chauds sur la surface de la fourniture.



- Ne pas laver la fourniture avec les détergents ou cires durs.



- Ne pas exposer la fourniture à la lumière directe du soleil.



- Ne pas mettre la fourniture proche de la ventilation air chaude ou air froide.



- Ne pas écrire sur la fourniture sans une barrière matelassée pour protéger la surface.



- Ne pas mettre la meuble à l'extérieur. Pour usage intérieur seulement.



- Pas pour usage commercial. Pour usage résidentiel seulement.



- Les taches peuvent être enlevés avec une solution de savon doux et un chiffon humide.



- Les enfants ne doivent pas monter ou sauter sur la meuble.



- Laver la poussière et les déversements avec un tissu propre, non coloré et non pelucheux.