

# WARNING!!

Children have died from furniture tipover. Tip restraints have been included with this product; you must install the tip restraints according to these instructions in order to minimize the risk of furniture tipping. If you have any questions about this product or the tip restraint, please send us an email at [tip\\_restraint\\_help@Noblehousefurniture.com](mailto:tip_restraint_help@Noblehousefurniture.com)

**NEVER** allow children to climb or hang on furniture, including drawers or cabinet doors.

In addition to installing the restrains, to help prevent tip-over

1. **NEVER** put a TV or other heavy objects on top of this product.
2. Do not stand on the product

 <b>WARNING</b>	
	<p>Children have died from furniture tipover. To reduce the risk of furniture tipover:</p> <ul style="list-style-type: none"><li>• ALWAYS install tipover restraint provided.</li><li>• NEVER put a TV on this product.</li><li>• NEVER allow children to stand, climb or hang on drawers, doors, or shelves.</li><li>• NEVER open more than one drawer at a time.</li><li>• Place heaviest items in the lowest drawers.</li><li>• Do not defeat or remove the drawer interlock system.</li></ul>
	<p><i>This is a permanent label. Do not remove!</i></p>






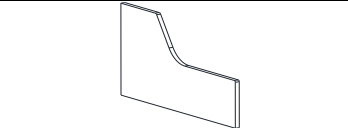
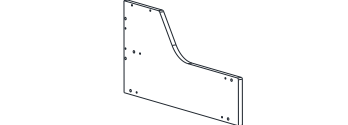
# Assembly Instructions


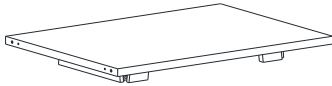
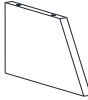
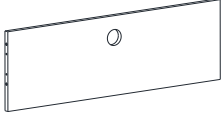






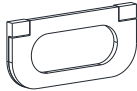

**Caution : You must read this before you proceed**

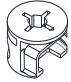













## OFFICE DESK


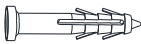





### Parts List

Label	Picture	Description	QTY
AL		Drawer Left Side Rail	1
AR		Drawer Right Side Rail	1
BL		Drawer Left Bottom Rail	1
BR		Drawer Right Bottom Rail	1
C		Top Tray Panel	1
D		Left Side Panel	1
E		Right Side Panel	1

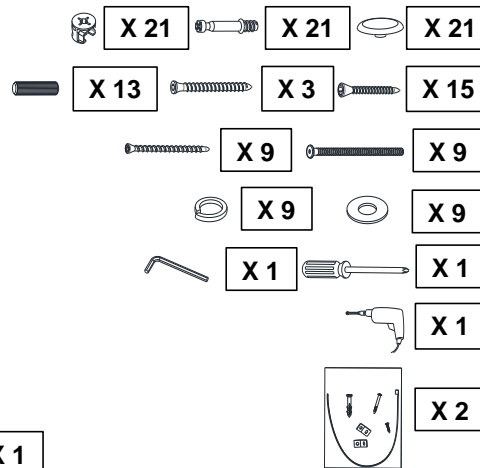
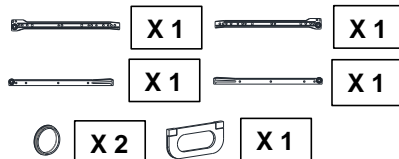
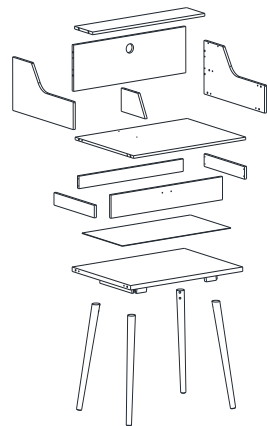
F		Top Panel	1
G		Bottom Panel (with pre-fixed Apron)	1
H		Center Panel	1
I		Back Panel	1
J		Drawer Front Panel	1
K		Drawer Back Panel	1
L		Drawer Side Panel	2
M		Drawer Bottom Panel	1
N		Drawer Bone	1
O		Leg (with pre-fixed PVC Foot)	4
P		Steel Handle	1
Q		O-Ring	2






Hardware			
Label	Picture	Description	QTY
①		Cam Lock	21
②		Cam Bolt	21
③		Cam Cap	21
④		Positioning Dowel ( $\phi 8 \times 30 \text{mm}$ )	13
⑤		Cap Wood Screw (M6*50mm)	3
⑥		Screw (M3.5*16mm)	15
⑦		Screw (M4*38mm)	9
⑧		Screw (M6*70mm)	9
⑨		Spring Washer	9
⑩		Washer	9
⑪		Allen Key	1
⑫		Screwdriver (not provided)	1
⑬		Hammer (not provided)	1
⑭		Power Drill (not provided)	1

Cabinet Restraint Device Hardware			
15		Metal Bracket	4
16		Wall Plug	2
17		Wall Plug Screw	2
18		Pan Head Screw	2
19		Cabinet Restraint Strap	2

## Assembly Preparation

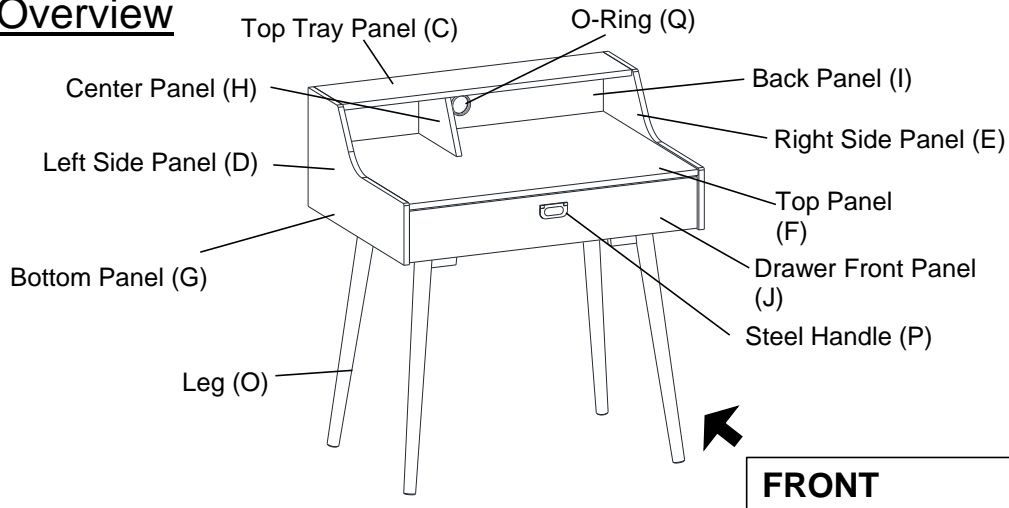
Before Beginning Assembly:



-  • Read instructions, cover to cover-
-  • Have 2 adults on hand for assembly-
-  • Do not assemble on flooring or carpet-
-  • Assemble on a clean non-marring surface (packing foam)-
-  • Save all packaging until finished-

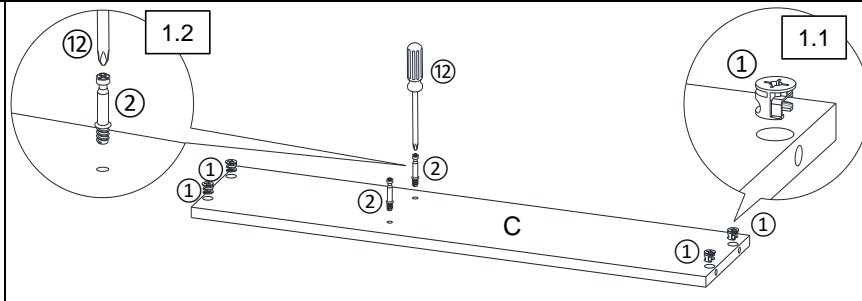
# Assembly Steps

## Overview



This Office Desk has multiple parts and may require up to 60 minutes to assemble. To give you an overview of the Office Desk parts, the above picture is to help you put the various parts into perspective. Please read through the instructions below to familiarise yourself with the parts and steps before assembly.

## Step 1

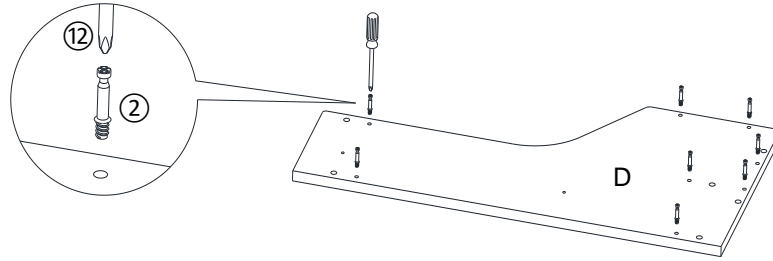


Unpack and place all parts on a clean, non-marring surface.

**1.1)** Insert Cam Locks(①) into mounting positions on Top Tray Panel(C) by hand.

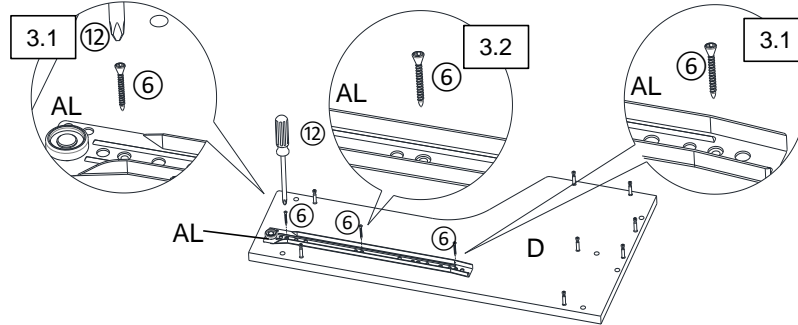
**1.2)** Attach Cam Bolts(②) to mounting positions on Top Tray Panel(C) with Screwdriver(⑫).

**Step 2**



Attach Cam Bolts(②) to mounting positions on Left Side Panel(D) with Screwdriver(⑫).

**Step 3**



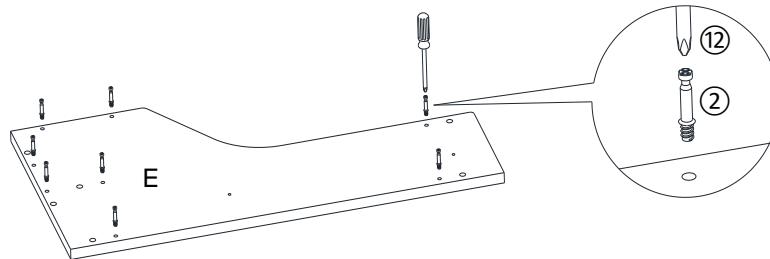
**3.1)** Attach Drawer Left Side Rail(AL) to Left Side Panel(D) using Screws(⑥) with Screwdriver(⑫) where indicated.

**3.2)** Attach Drawer Left Side Rail(AL) to Left Side Panel(D) using Screw(⑥) with Screwdriver(⑫) where indicated.

**Note:** There are pre-existing mounting positions on the Left Side Panel(D) to attach the Drawer Left Side Rail(AL).

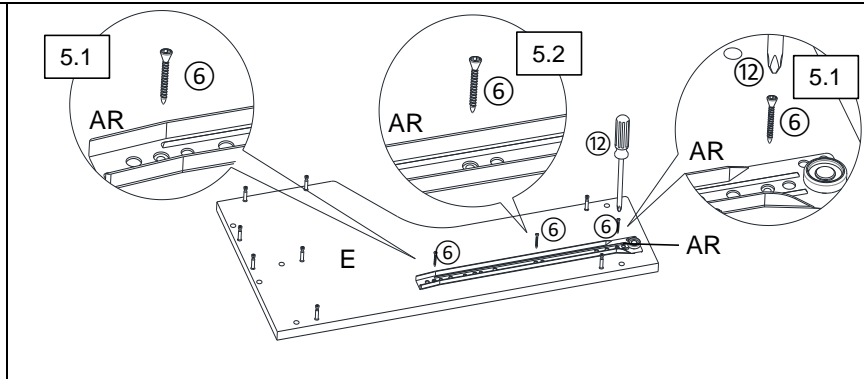
**Tighten the Screws fully in a sequential manner.**

**Step 4**



Attach Cam Bolts(②) to mounting positions on Right Side Panel(E) with Screwdriver(⑫).

## Step 5

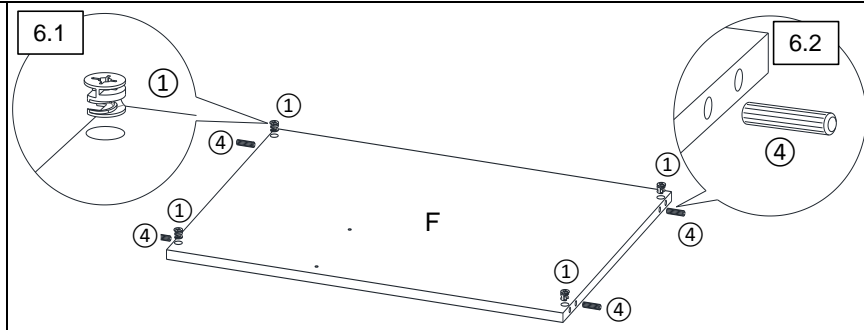


**5.1) Attach Drawer Right Side Rail(AR) to Right Side Panel(E) using Screws(6) with Screwdriver(12) where indicated.**

**5.2) Attach Drawer Right Side Rail(AR) to Right Side Panel(E) using Screw(6) with Screwdriver(12) where indicated.**

**Note: There are pre-existing mounting positions on the Right Side Panel(E) to attach the Drawer Right Side Rail(AR). Tighten the Screws fully in a sequential manner.**

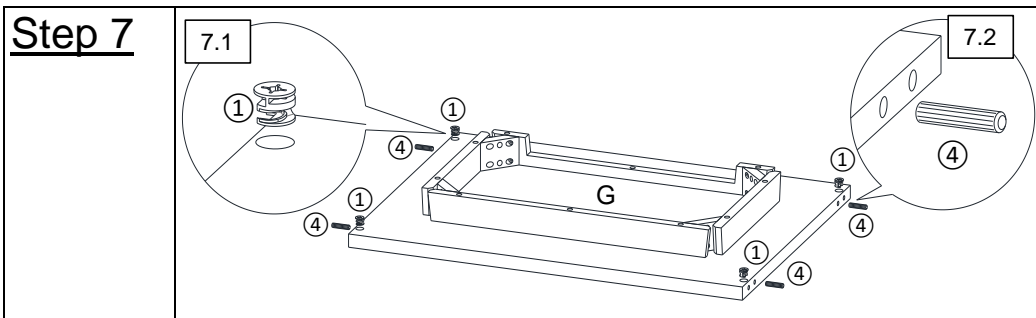
## Step 6



**6.1) Insert Cam Locks(1) into mounting positions on Top Panel(F) by hand.**

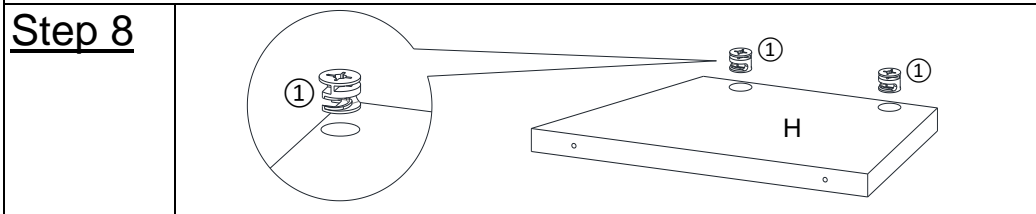
**6.2) Insert Positioning Dowels(4) into mounting positions on Top Panel(F) by hand.**



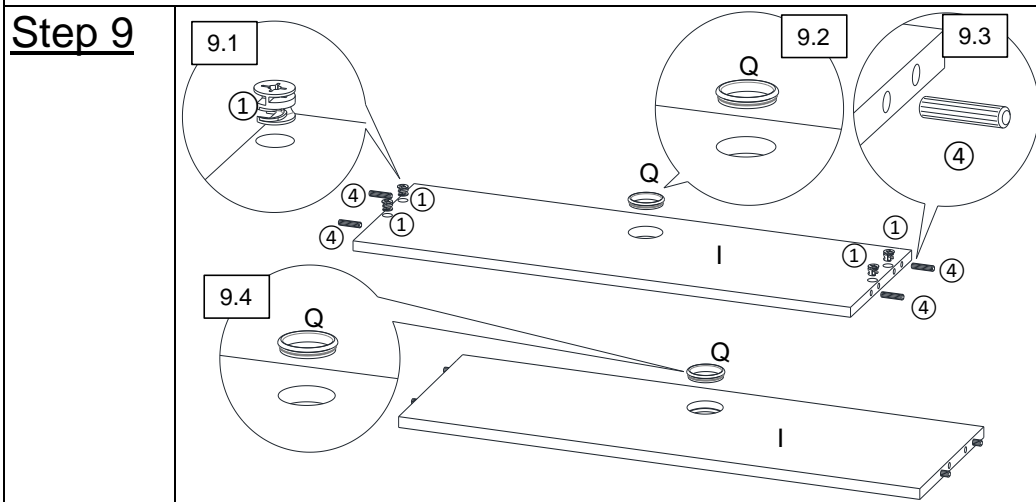


**7.1)** Insert Cam Locks(①) into mounting positions on Bottom Panel(G) by hand.

**7.2)** Insert Positioning Dowels(④) into mounting positions on Bottom Panel(G) by hand.



Insert Cam Locks(①) into mounting positions on Center Panel(H) by hand.

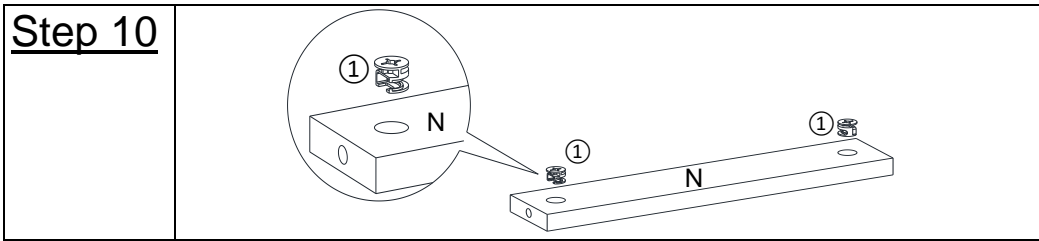


**9.1)** Insert Cam Locks(①) into mounting positions on Back Panel(I) by hand.

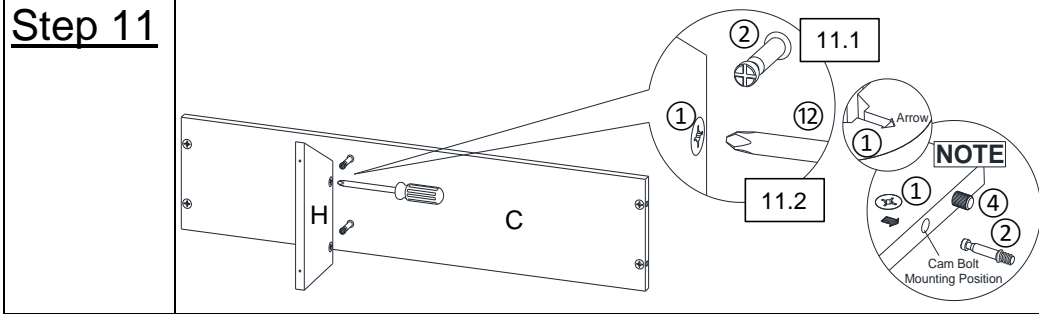
**9.2)** Insert O-Ring(Q) into mounting positions on Back Panel(I) by hand.

**9.3)** Insert Positioning Dowels(④) into mounting position on Back Panel(I) by hand.

**9.4)** Flip Back Panel(I) to opposite face. Insert O-Ring(Q) into mounting position on Back Panel(I) by hand.



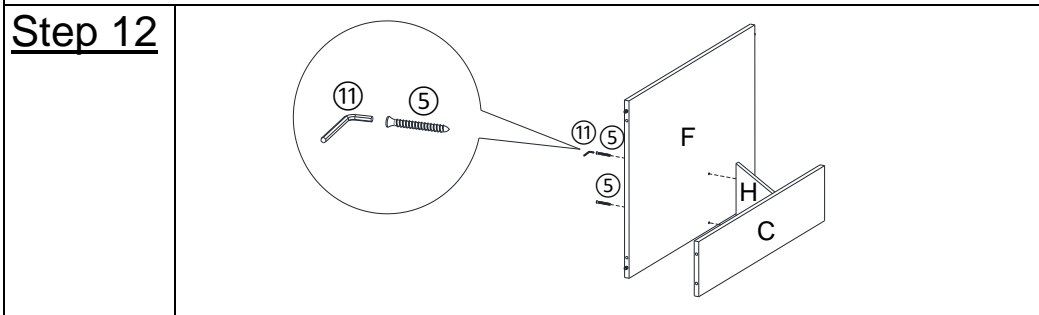
Insert Cam Locks(①) into mounting positions on Drawer Bone(N) by hand.



**Note: Ensure the arrows on Cam Locks head points towards the Cam Bolt mounting positions.**

**11.1)** Insert the Cam Bolts(②) on Top Panel(C) into mounting positions on side of Center Panel(H).

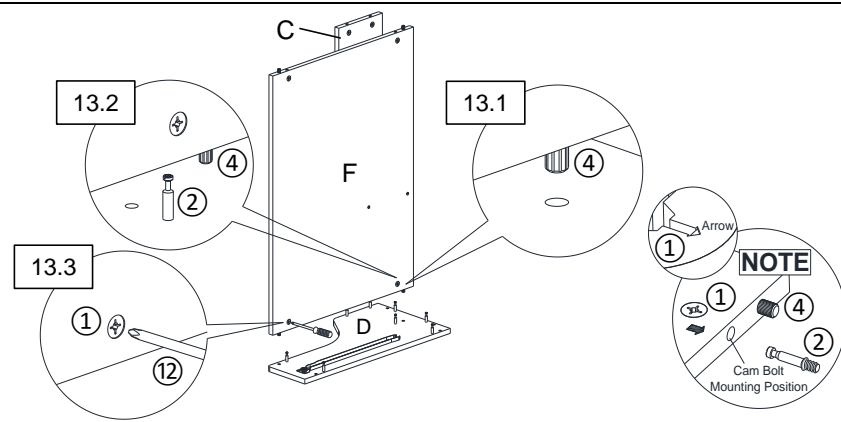
**11.2)** Turn the Cam Locks(①) clockwise with the Screwdriver(⑫) until they all lock into place.



Attach Center Panel(H) to Top Panel(F) with Cap Wood Screws(⑤) using Allen Key(⑪).

**Tighten the Cap Wood Screws fully in a sequential manner.**

## Step 13



**13.1)** Insert Positioning Dowels(④) from Top Panel(F) into mounting positions on Left Side Panel(D).

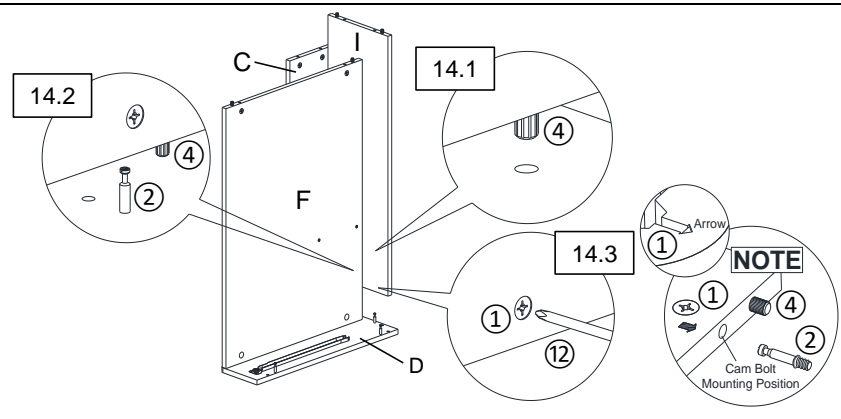
**Note: Ensure the arrows on Cam Locks head points towards the Cam Bolt mounting positions.**

**13.2)** Insert the Cam Bolts(②) on Left Side Panel(D) into mounting positions on Top Tray Panel(C) and Top Panel(F).

**13.3)** Turn the Cam Locks(①) clockwise with the Screwdriver(⑫) until they all lock into place.

**Note: Need two person to assembly.**

## Step 14



**14.1)** Insert Positioning Dowels(④) from Back Panel(I) into mounting positions on Left Side Panel(D).

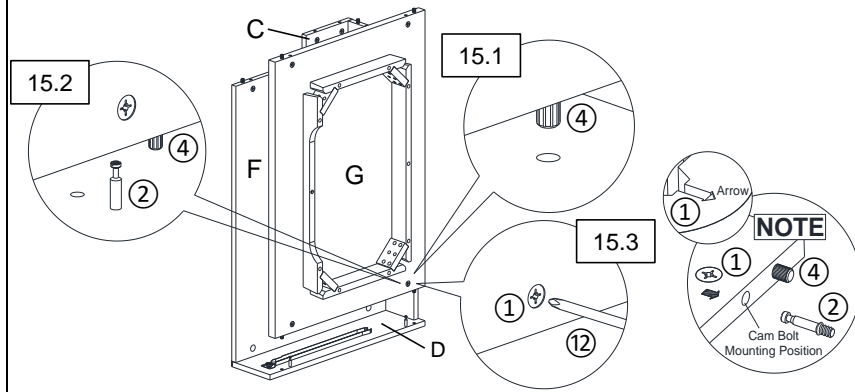
**Note: Ensure the arrows on Cam Locks head points towards the Cam Bolt mounting positions.**

**14.2)** Insert the Cam Bolts(②) on Left Side Panel(D) into mounting positions on Back Panel(I).

**14.3)** Turn the Cam Locks(①) clockwise with the Screwdriver(⑫) until they all lock into place.

**Note: Need two person to assembly.**

## Step 15



**15.1)** Insert Positioning Dowels(④) from Bottom Panel(G) into mounting positions on Left Side Panel(D).

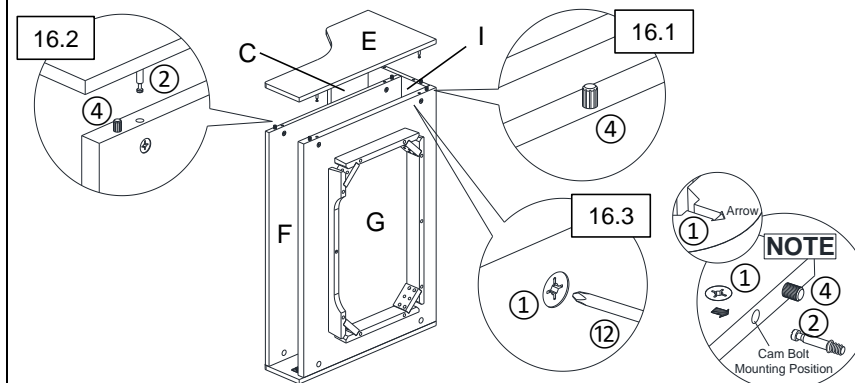
**Note: Ensure the arrows on Cam Locks head points towards the Cam Bolt mounting positions.**

**15.2)** Insert the Cam Bolts(②) on Left Side Panel(D) into mounting positions on Bottom Panel(G).

**15.3)** Turn the Cam Locks(①) clockwise with the Screwdriver(⑫) until they all lock into place.

**Note: Need two person to assembly.**

## Step 16



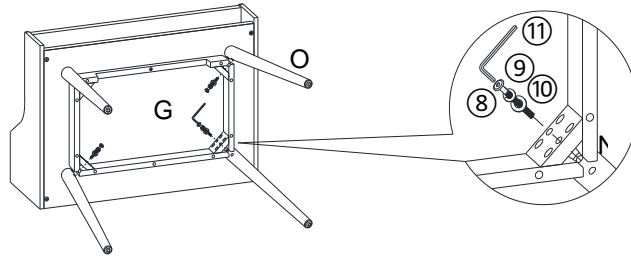
**16.1)** Insert Positioning Dowels(④) from Top Panel(F), Bottom Panel(G) and Back Panel(I) into mounting positions on Right Side Panel(E).

**Note: Ensure the arrows on Cam Locks head points towards the Cam Bolt mounting positions.**

**16.2)** Insert the Cam Bolts(②) on Right Side Panel(E) into mounting positions on Top Tray Panel(C), Top Panel(F), Bottom Panel(G) and Back Panel(I).

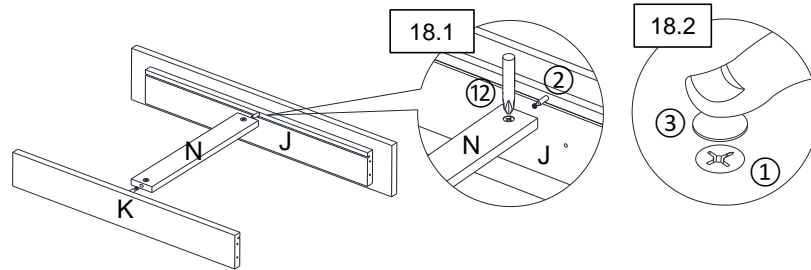
**16.3)** Turn the Cam Locks(①) clockwise with the Screwdriver(⑫) until they all lock into place.

### Step 17



Attach Legs(O) to apron on Bottom Panel(G) using Screws(8), Spring Washers(9) and Washers(10) with Allen Key(11).  
**Tighten the Screws fully in a sequential manner.**

### Step 18



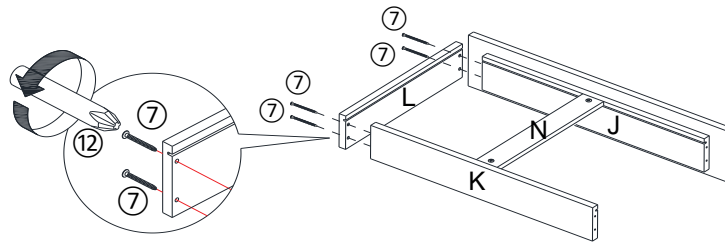
**Note: Ensure the arrows on Cam Locks head points towards the Cam Bolt mounting positions.**

Insert the Cam Bolts(2) on Drawer Front(J) and Drawer Back Panel(K) into mounting positions on Drawer Bone(N).

**18.1)** Turn the Cam Locks(1) clockwise with the Screwdriver(12) until they all lock into place.

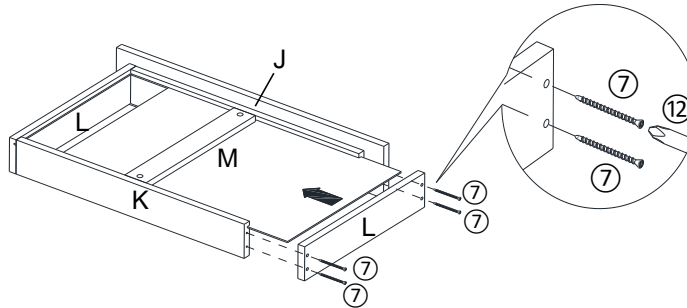
**18.2)** Cover Cam Locks(1) with Cam Caps(3).

### Step 19



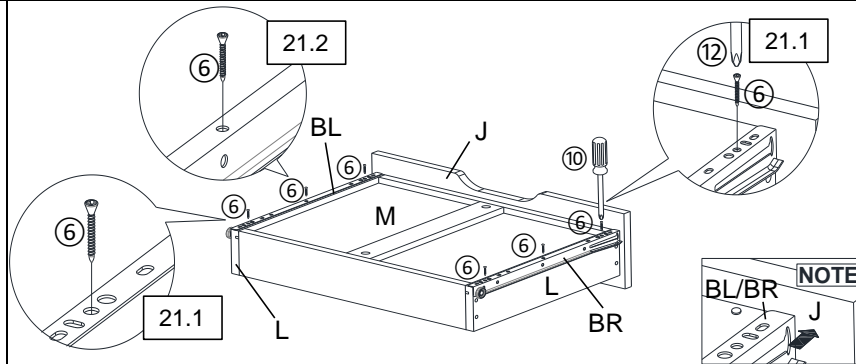
Attach Drawer Side Panels(L) to Drawer Front Panel(J) and Drawer Back Panel(K) using Screws(7) with Screwdriver(12).  
**Tighten the Screws fully in a sequential manner.**

### Step 20



Attach Drawer Bottom Panel(M) to Drawer Assembly, attach Drawer Side Panels(K) to Drawer Front Panel(J) and Drawer Back Panel(L) using Screws(7) with Screwdriver(12).  
**Tighten the Screws fully in a sequential manner.**

### Step 21

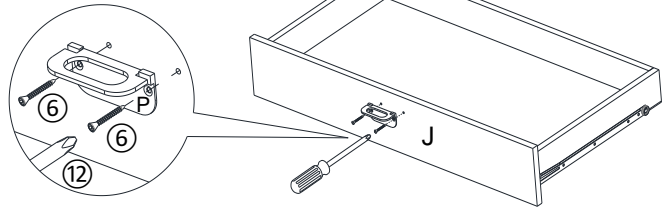


**21.1)** Attach Drawer Left Bottom Rail(BL) and Drawer Right Bottom Rail(BR) to Drawer Side Panel(L) using Screws(6) with Screwdriver(12) where indicated.

**21.2)** Attach Drawer Left Bottom Rail(BL) and Drawer Right Bottom Rail(BR) to Drawer Side Panel(L) using Screw(6) with Screwdriver(12) where indicated.

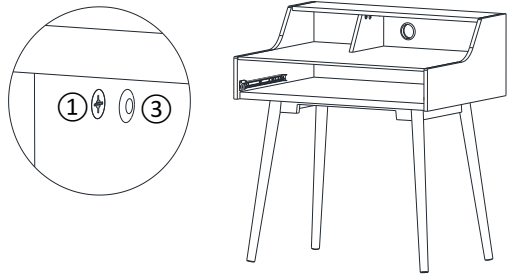
**Tighten the Screws fully in a sequential manner.**

**Step 22**



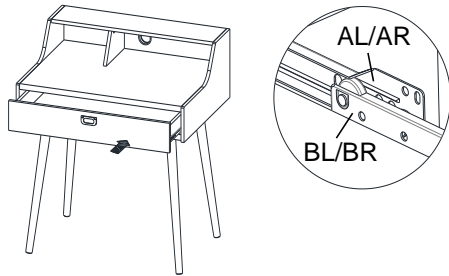
Attach Steel Handle(P) to Drawer Front Panel(J) using Screws(6) with Screwdriver(12).  
**Tighten the Screws fully in a sequential manner.**

**Step 23**



Attach Cam Caps(3) to all Cam Locks(1) by hand.

**Step 24**



Put Drawer Assembly in place by aligning the rails.

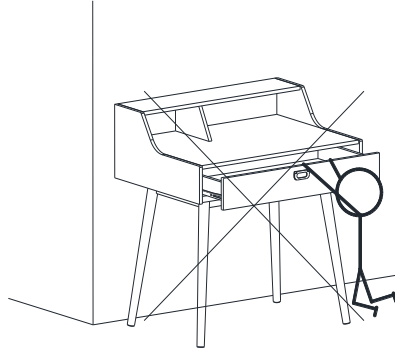
## Cabinet Restraint Device Installation Instructions



### WARNING

Serious or fatal crushing injuries can occur from tipping furniture.  
To help prevent tip-over: ALWAYS secure this furniture to the wall using Cabinet Restraint Device.

See product instructions for more ways to help prevent furniture tip-over.

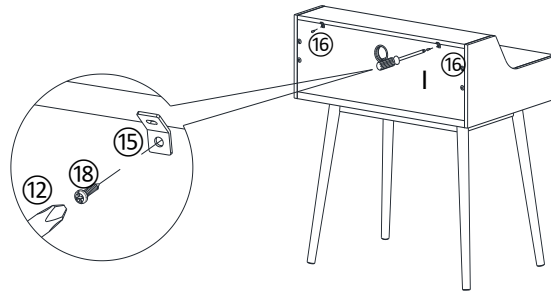


### Usage For Cabinet Restraint Device:

To Secure Office Desk against wall, attach Metal Brackets(15) to wall and product, and use Cabinet Restraint Straps(19) to connect the Metal Brackets(15).

### Instructions:

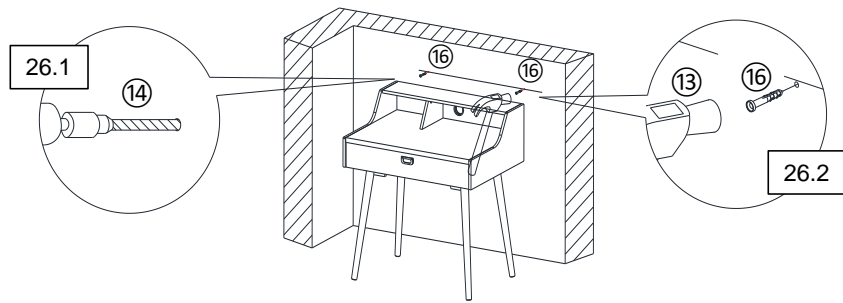
#### Step 25



Turn the Office Desk so the back faces you.  
Attach Metal Brackets(15) to Back Panel(1), where Labeled, using Pan Head Screws(18) with Screwdriver(12).



## Step 26



**26.1)** Drill two holes on wall at same height as Metal Brackets(15) with Power Drill(14).

**You can mark these points in two ways as below:**

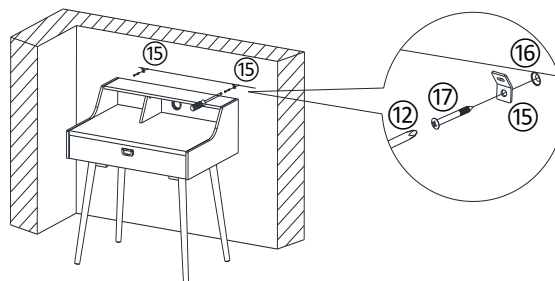
**1)** Move the Office Desk back to the wall. Mark two points same height as Office Desk on the wall.

**Note: The Metal Brackets need to be secured to solid, load bearing surface. Please use a Stud Finder(not supplied) if needed to locate the Wall Frame.**

**2)** Measure the height of the Metal Brackets(15) and the wall by ruler/measuring tape to keep them accurate and same height.

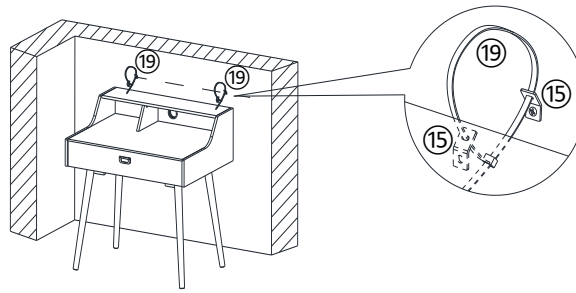
**26.2)** Attach Wall Plugs(16) to holes on wall with Hammer(13).

## Step 27



Attach Metal Brackets(15) to Wall Plugs(16) using Wall Plug Screws(17) with Screwdriver(12).

**Step 28**























Move the Office Desk back against wall. Pull the Restraint Straps(19) through the Metal Brackets(15) on the wall and Bookcase one by one, and pull the Restraint Straps(19) tight.

**Step 29**



Your Office Desk is ready for use.  
**This Office Desk can only be used on a flat, level surface.**

## Care & Maintenance

-   ● Do not put hot items directly on furniture surface
  -   ● Do not clean furniture with harsh cleansers or polish.
  -   ● Do not place furniture under direct sunlight.
  -   ● Do not place furniture near heating or cooling vents.
  -   ● Do not write on furniture without a padded barrier to protect the surface.
  -   ● Do not place furniture outside . For indoor use only .
  -   ● Not for commercial use. For residential use only .
  -   ● Stains may be removed with mild soap solution and damp cloth.
  -   ● Children should not climb or jump on the furniture.
- 
-   ● Dust and pick-up spills using a clean, non-colored, lint-free cloth .