

WARNING !!

Children have died from furniture tipover. Tip restraints have been included with this product; you must install the tip restraints according to these instructions in order to minimize the risk of furniture tipping. If you have any questions about this product or the tip restraint, please send us an email at tip_restraint_help@Noblehousefurniture.com

NEVER allow children to climb or hang on furniture, including drawers or cabinet doors.

In addition to installing the restrains, to help prevent tip-over:

1. NEVER put a TV or other heavy objects on top of this product.
2. Do not stand on the product.

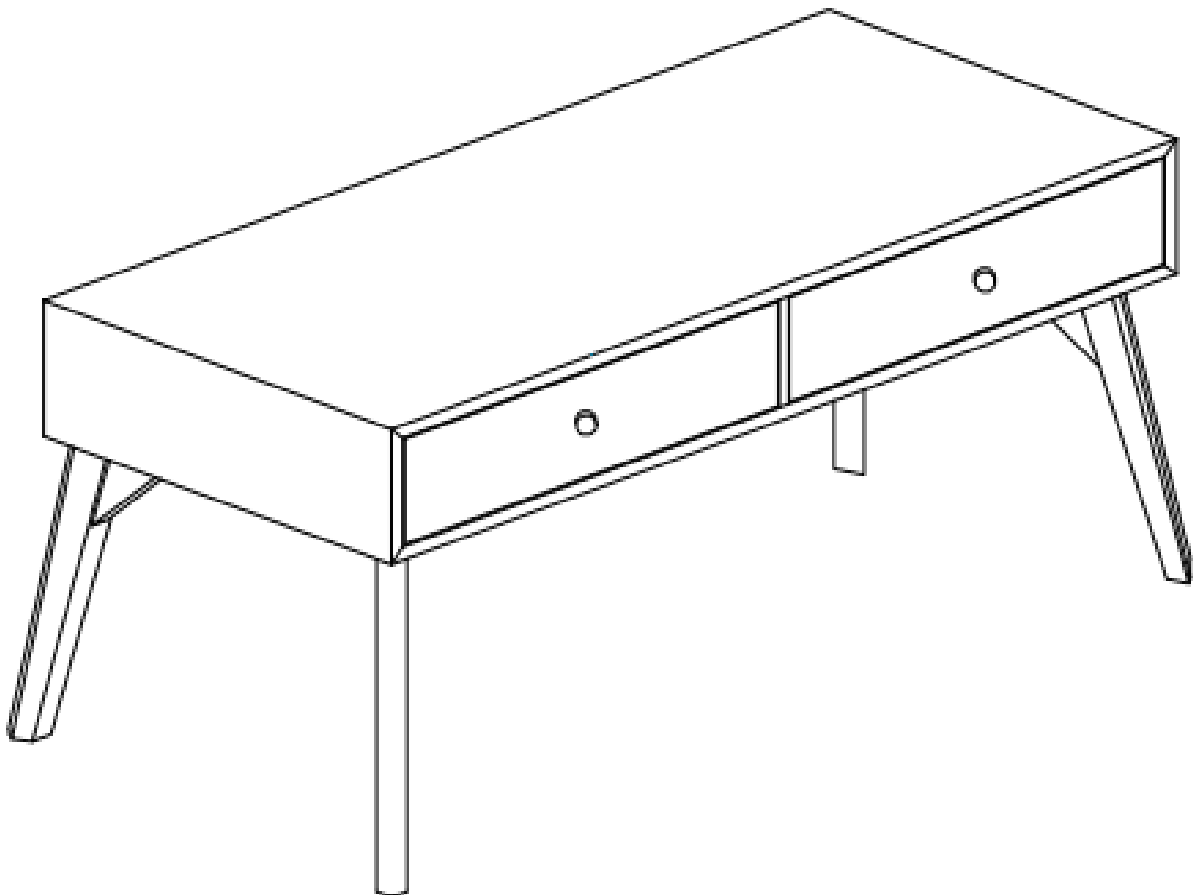
⚠ WARNING	
	<p>Children have died from furniture tipover. To reduce the risk of furniture tipover:</p> <ul style="list-style-type: none">• ALWAYS install tipover restraint provided.• NEVER put a TV on this product.• NEVER allow children to stand, climb or hang on drawers, doors, or shelves.• NEVER open more than one drawer at a time.• Place heaviest items in the lowest drawers.• Do not defeat or remove the drawer interlock system.
	<p><i>This is a permanent label. Do not remove!</i></p>

Assembly Instructions

Caution : You must read this before you proceed

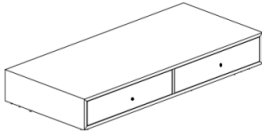

Please look the inner box for hardware packs and legs

TABLE



CAUTION : This Table is NOT a TOY.
Keep your child / children at bay during the assembly process.
For moving the Table and to prevent damage to the Table, two adults are needed to execute this action.

Parts List

Label	Picture	Description	QTY
A		Table Top With 2 Drawers	1
B		Legs	4

Hardware




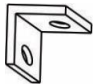

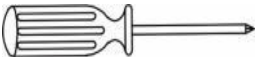
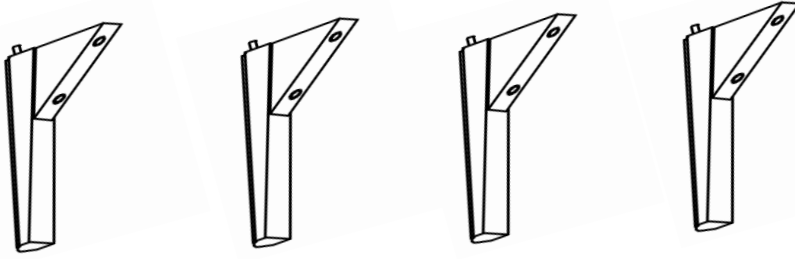
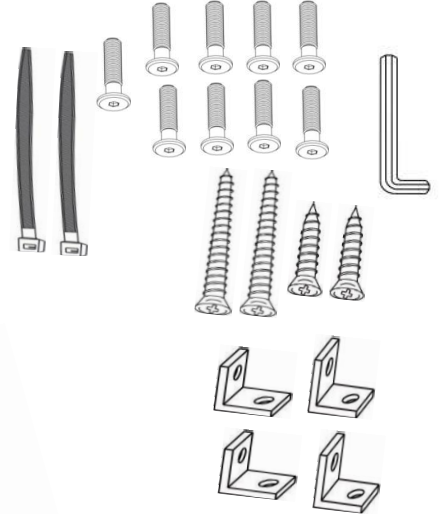
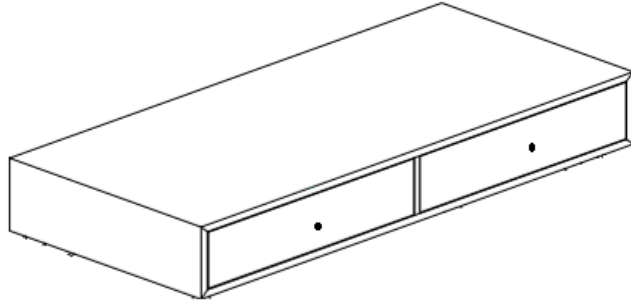
Label	Picture	Description	QTY
①		Bolt (M8x40mm)	9
②		Allen Wrench	1
③		Screwdriver	Not Provided

Table Restraint Device Hardware

④		Short Self Tapping Screw (M4 x 20mm)	2
⑤		Long Self Tapping Screw (M4 x 50mm)	2
⑥		L-Shape Metal Brackets	4
⑦		Cabinet Restraint Strap	2
③		Screwdriver	No provided

Assembly Preparation

Before Beginning Assembly:



• Read instructions, cover to cover-



• Have 2 adults on hand for assembly-



• Do not assemble on flooring or carpet-



• Assemble on a clean non-marring surface (packing foam)-



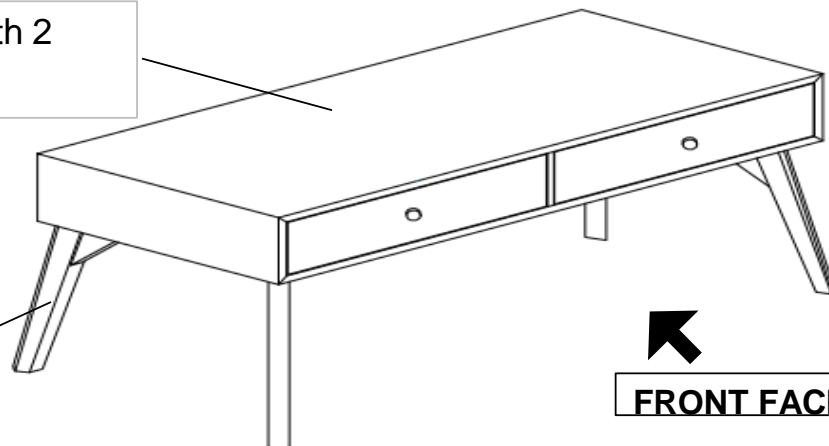
• Save all packaging until finished-

Assembly Steps

OVERVIEW

Table Top With 2 Drawers (A)

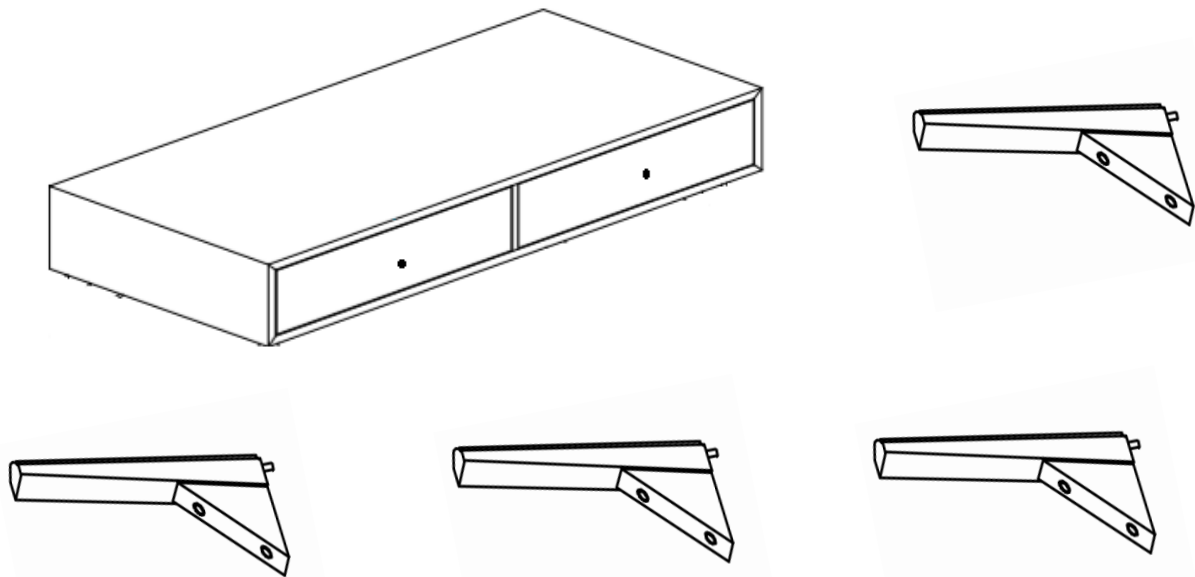
Leg (B)



FRONT FACING

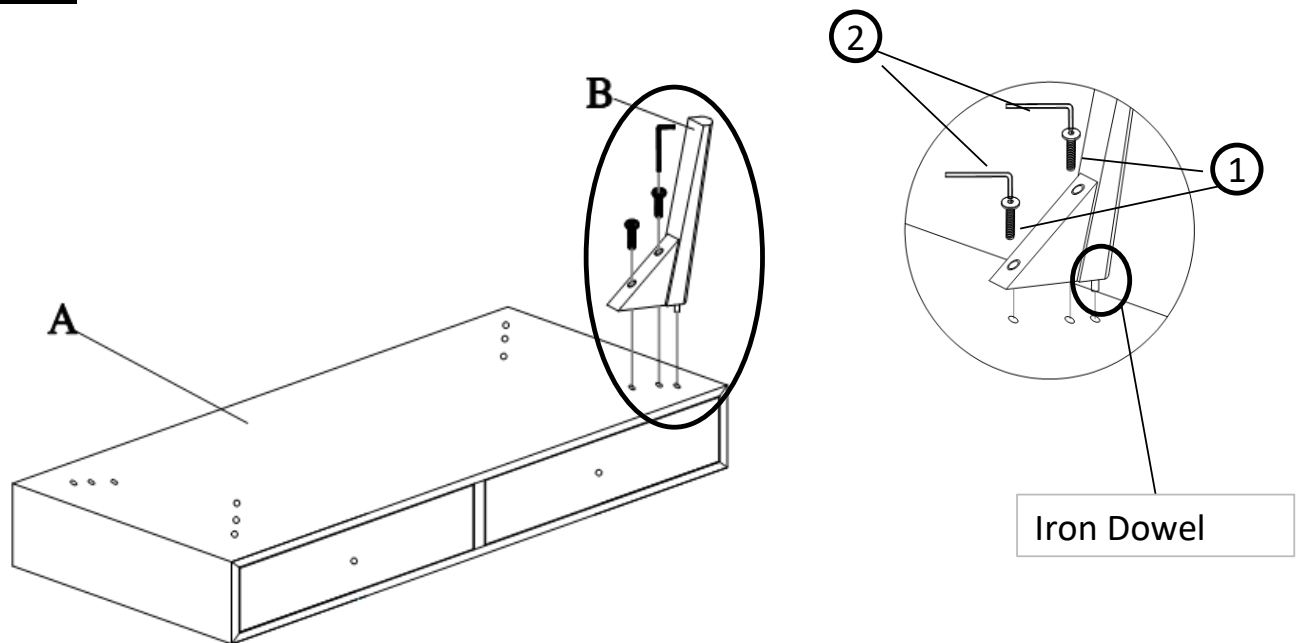
This Table has multiple parts and may require up to some 30 minutes to assemble. To give you an overview of the Table, the above picture is to assemble is to help you put the various parts into perspective. Please read through the instructions here below to familiarise the parts and steps before assembly.

Step 1



Unpack and place all parts on a clean, non-marring surface.

Step 2



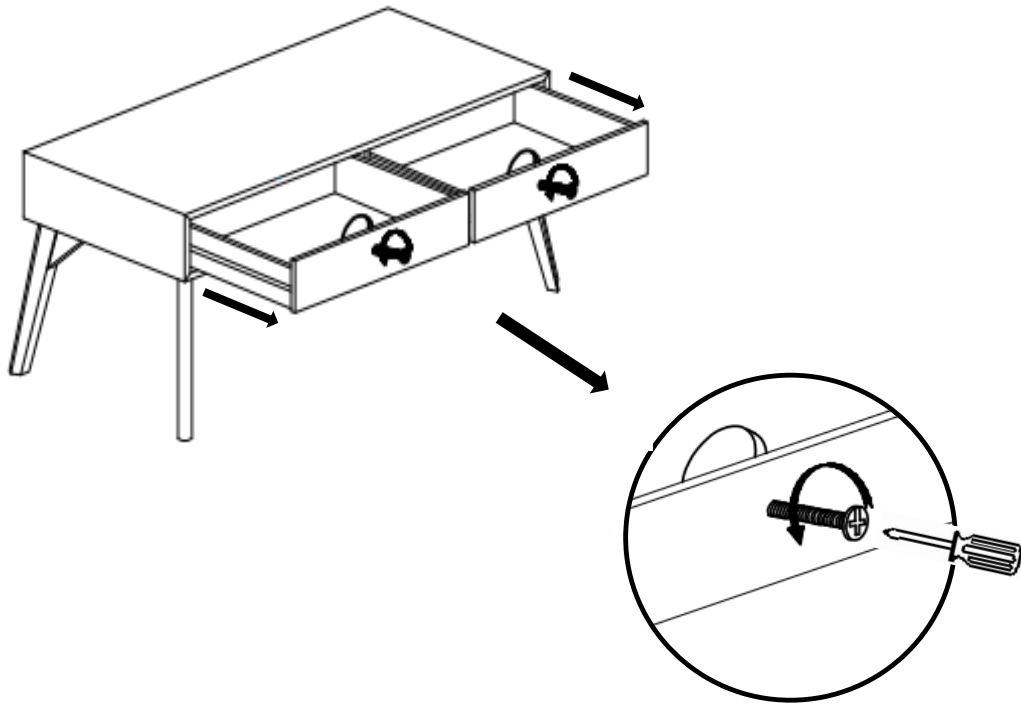
Place Table Top(A) with its underside skywards onto a clean, soft surface to avoid any scratch or damage to the product.
Attached Leg(B) with pre-fixed wooden dowel to the Table Top(A) as pictured above.

Secure by using Bolts(①) and Allen Wrench(②).
Repeat the same process with the other 3 Legs(B).

Do not fully tighten the Bolts.

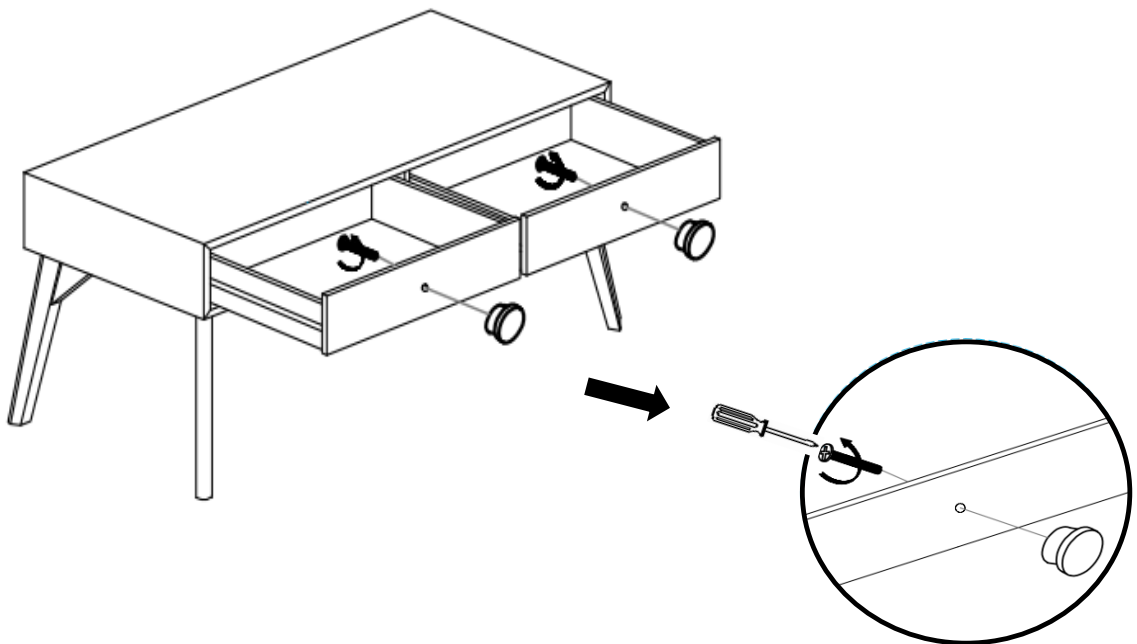
Note: Pre-fixed wooden dowel is put at outside hole.

Step 3



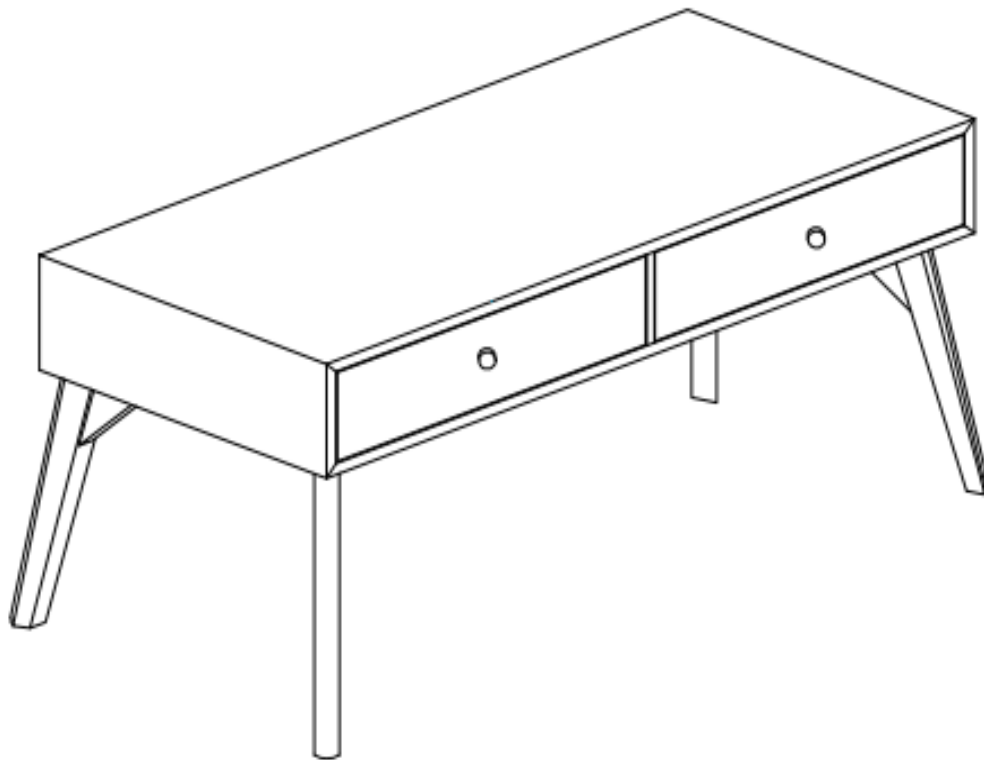
With assistance from your adult partners, turn the Table back to normal flat ground.
Pull out Drawers, take out the Handles which put in the Drawers by using Screwdriver.

Step 4



Affix the Handles in Step 3 to Drawers by using Screwdriver.
Note: After this step, Handles will be put outside the Drawers.

Step 5



EXERT pressure, floorwards, onto the Table.

This pressure will help the Legs and Table Top reach alignment at all joints.
Check for wobbles.

In a sequential manner, gradually tighten all Bolts until evenly secured.
Inspect the Table and make sure all parts are adequately connected.
Your Table is ready for use.

This Table can only be used on a flat, level surface.

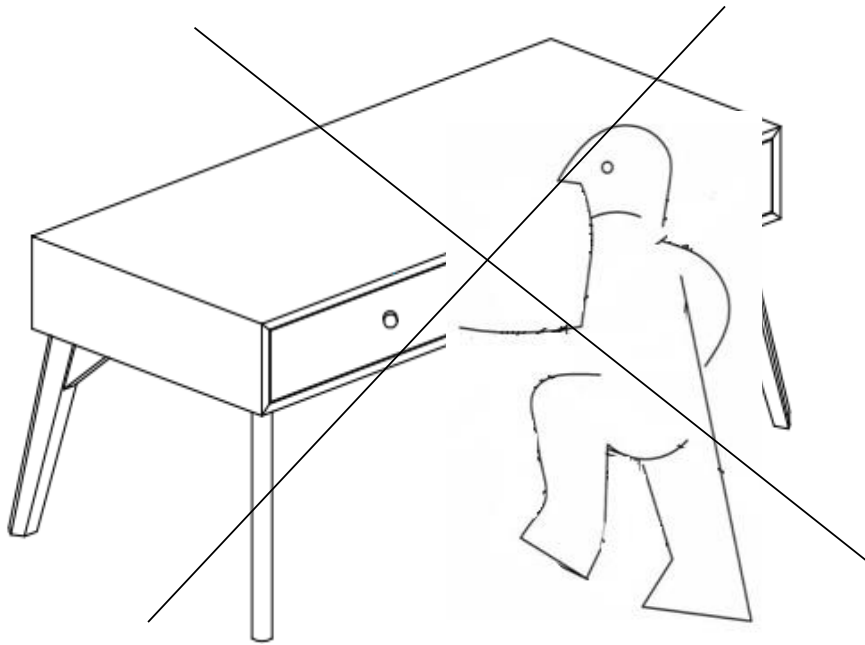
Cabinet Restraint Device Installation Instructions :



WARNING

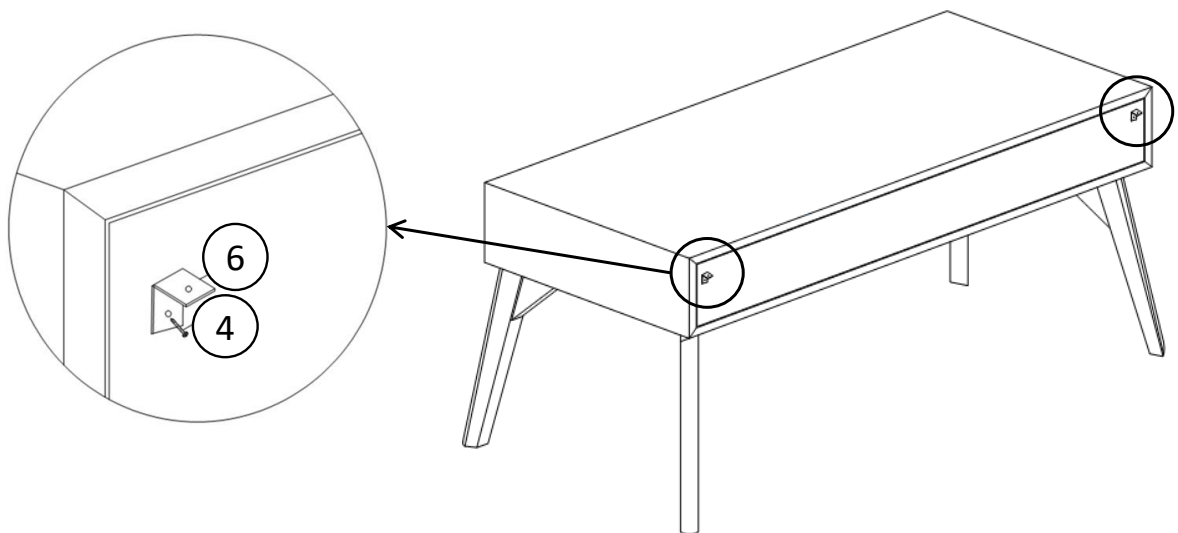
Serious or fatal crushing injuries can occur from tipping furniture.
To help prevent tip-over: ALWAYS secure this furniture to the wall using Shelf
Restraint Device.

See product instructions for more ways to help prevent furniture tip-over.

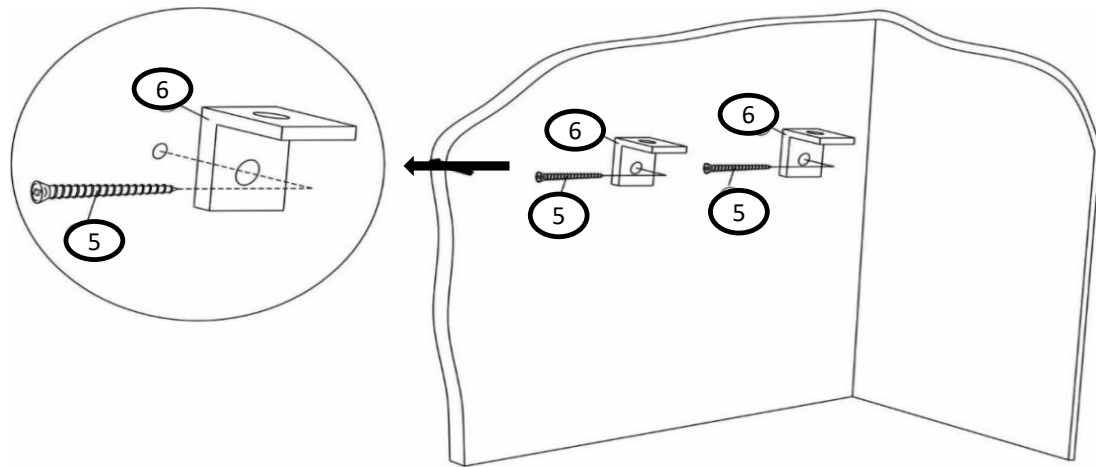


Usage For Shelf Restraint Device:

For shelf against wall, fix 2pcs Metal Brackets (⑥) on wall and 2pcs Metal Brackets (⑥) on product, use Cabinet Restraint Strap (⑦) to connect the Metal Bracket (⑥) on wall and product. Find details as below.



A: Firstly, turn back the Cabinet outwards as shown above. Then fix one Metal Bracket(⑥) on the back of Shelf by the 2.0cm Shelf Tapping Screw(④). The distance of screw mounting position to the two edges is about 1". Repeat this step to fix another Metal Bracket(⑥) on product as shown above.



B: Find out the screw holes on the wall.

First mark the point at same height on the wall as L-shape Metal Bracket(6) on product.

You can find these same points in two ways as below:

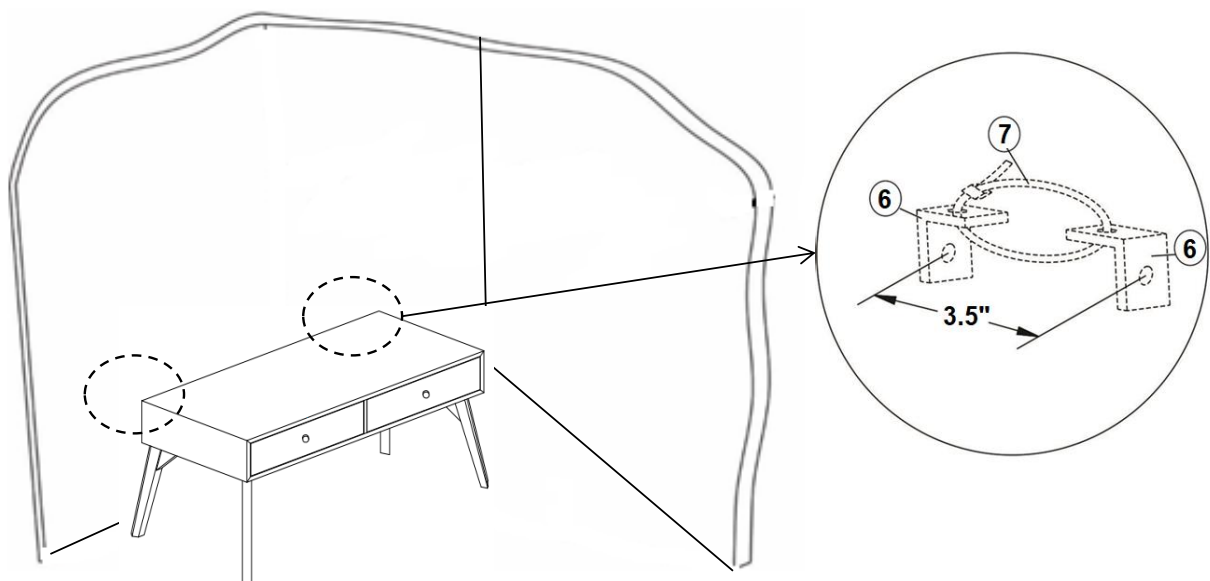
1. Move the Cabinet back to the wall make these points on the wall and product are at same height.

2. Measure the height of the L-shape Metal Brackets(6) and the wall by ruler keep them are accurately and same height.

(Caution: The Cabinet Restraint Strap(7) between L-Shape Metal Brackets(6) on product and wall should be within 3.5").

Then fix one L-Shape Metal Bracket(6) on the mark on wall by the Long Self tapping Screws(5).












Repeat this step to fix another L-Shape Metal Brackets(6) on wall as shown above.



C : Move the Table against the wall. Then pull the Table Restraint Strap(7) through two L-Shaped Metal Bracket(6) one by one, lock tight the Table Restraint Strap(7), as shown above.

Table Restraint Device is installed and Table is ready for use.

Care & Maintenance

	<ul style="list-style-type: none">● Furniture may scratch floors. We recommend using furniture pads to protect your floors.
	<ul style="list-style-type: none">● Do not put hot items directly on furniture surface.
	<ul style="list-style-type: none">● Do not clean furniture with harsh cleansers or polish.
	<ul style="list-style-type: none">● Do not place furniture under direct sunlight.
	<ul style="list-style-type: none">● Do not place furniture near heating or cooling vents.
	<ul style="list-style-type: none">● Do not write on furniture without a padded barrier to protect the surface.
	<ul style="list-style-type: none">● Do not place furniture outside . For indoor use only.
	<ul style="list-style-type: none">● Not for commercial use. For residential use only.
	<ul style="list-style-type: none">● Stains may be removed with mild soap solution and damp cloth.
	<ul style="list-style-type: none">● Children should not climb or jump on the furniture.
	<ul style="list-style-type: none">● Dust and pick-up spills using a clean, non-colored, lint-free cloth.