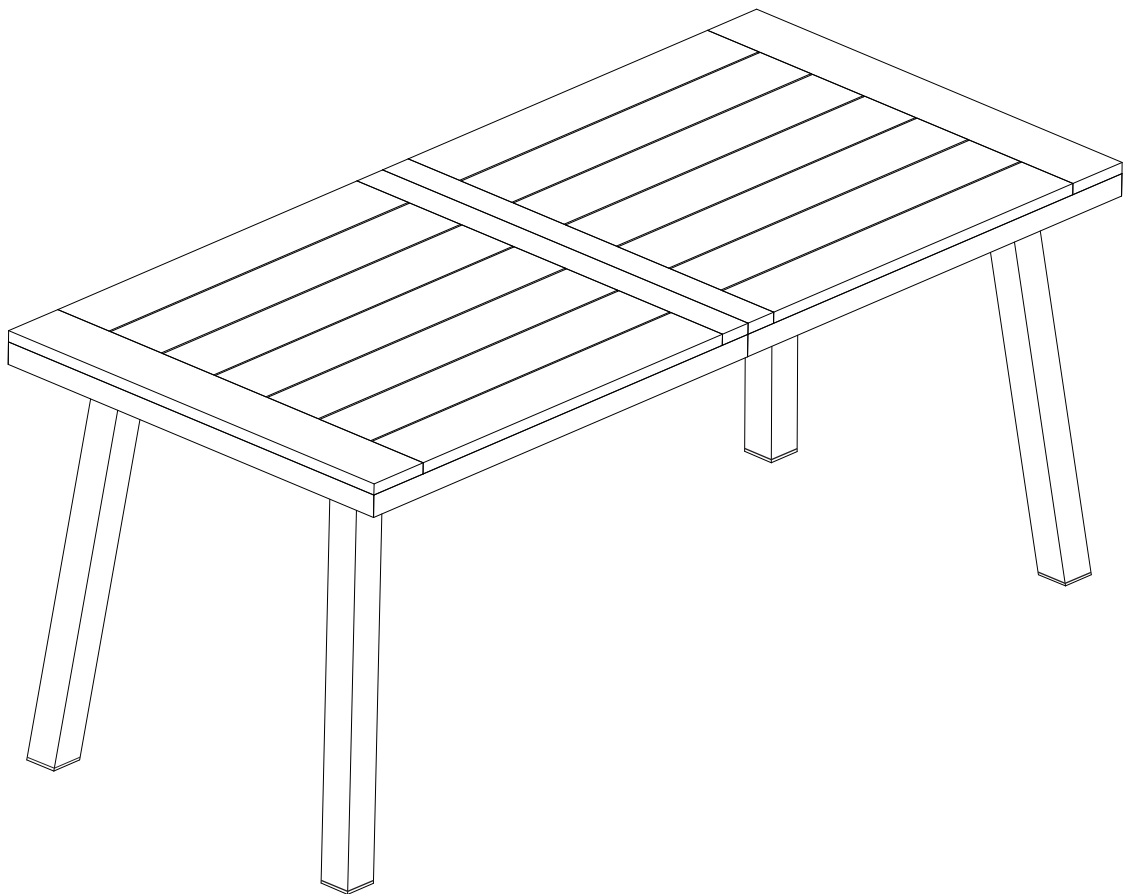


# Assembly Instructions

## TABLE

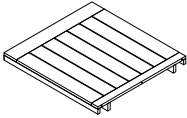


**CAUTION:** You must read this before you proceed.

Please look in the Table Top for hardware packs



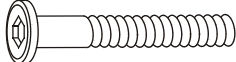


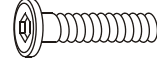


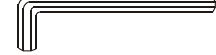
**CAUTION :** This Table is NOT a TOY. Keep your child / children at bay in the process of assembly.  
For turning the Table and to prevent damage to the Table, 02 persons may be needed to execute this action.

## Parts List

Label	Picture	Description	Qty
A		Table Top	2
B		Legs	4
C		Support Bars	2

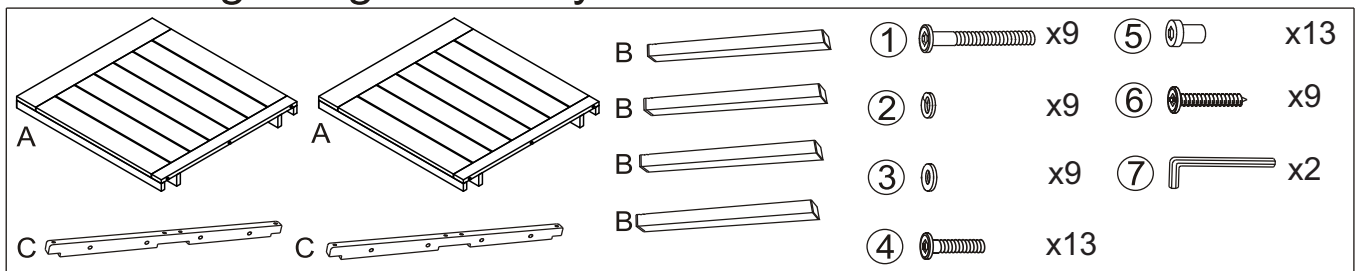
## Hardware

### Table Hardware

Label	Picture	Description	Qty
①		Long Bolts M8x60mm	9
②		Spring Washers M8	9
③		Flat Washers M8	9
④		Short Bolts M6x40mm	13
⑤		Sleeve Nuts M6x18mm	13
⑥		Screws M6x50mm	9
⑦		Allen Wrench	2

## Assembly Preparation

### Before Beginning Assembly:



Read instructions, cover to cover.



Have 2 adults on hand for assembly.



Do not assemble on flooring or carpet.



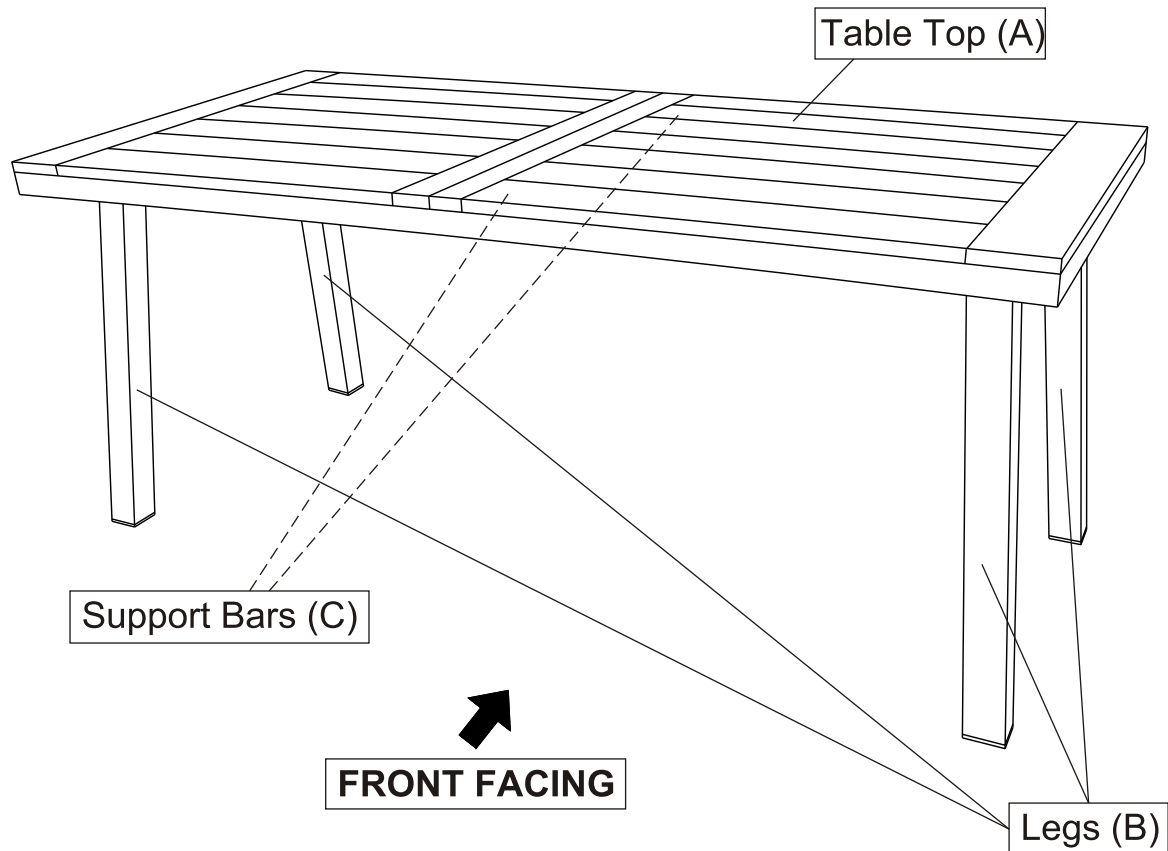
Assemble on a clean non-marring surface (packing foam).



Save all packaging until finished.

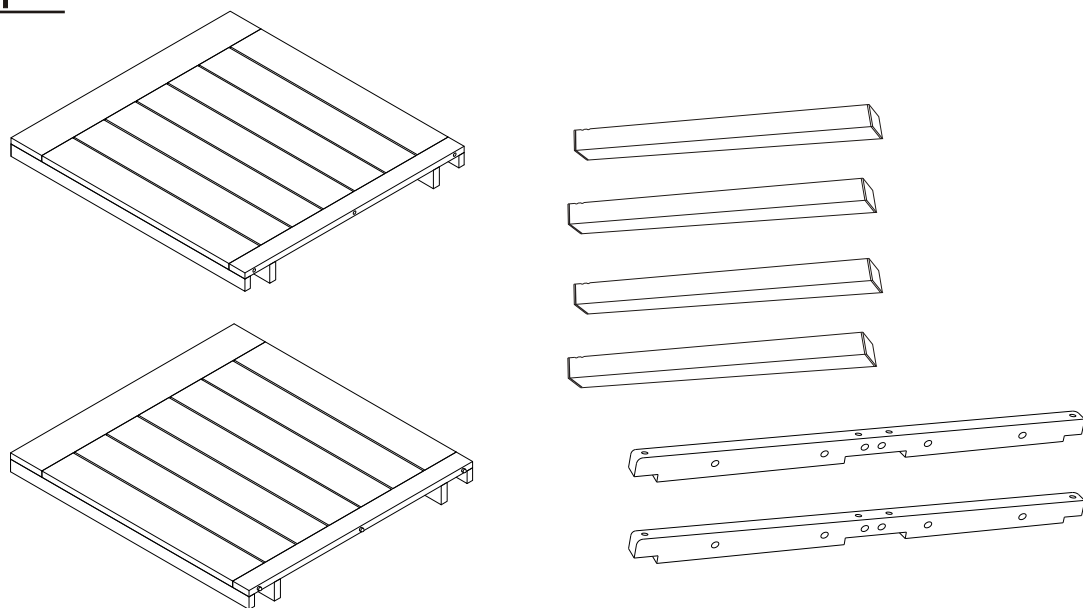
## Assembly Steps

### OVERVIEW



This Table has multiple parts and may require up to 30 minutes to assemble. To give you an overview of the Table parts, the above picture is to help you put the various parts into perspective. Please read through the instructions herebelow to familiarise the parts and steps before assembly.

### Step 1

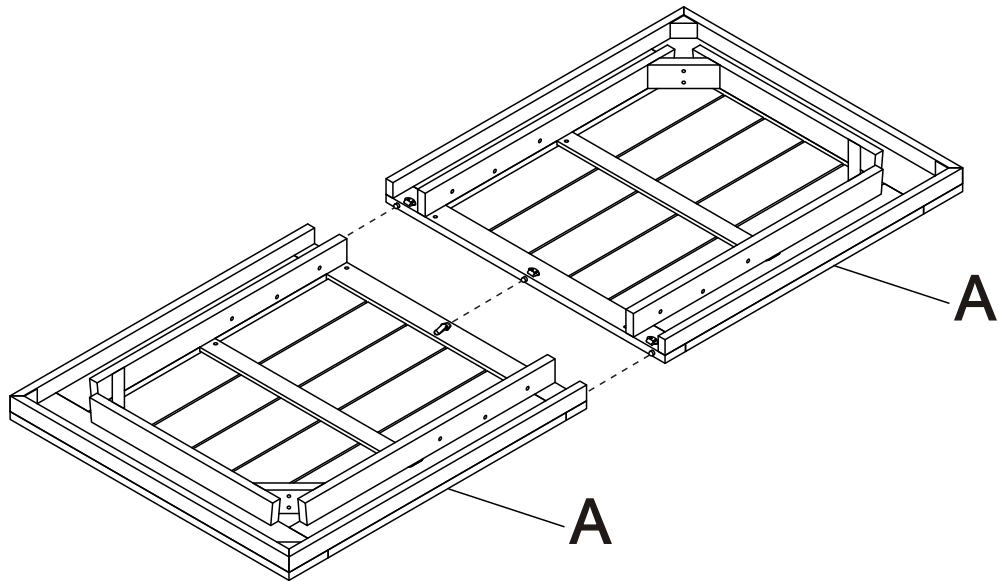


Unpack and place all parts on a clean, non-marring surface.

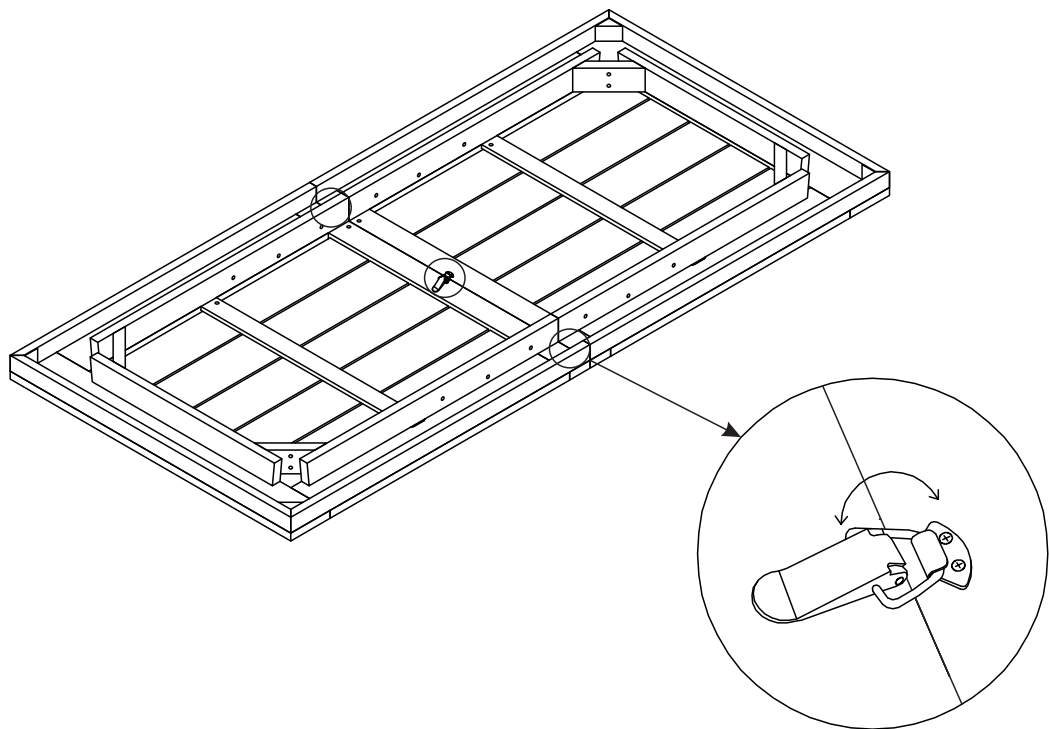
## Assembly Steps

### Step 2

#### Step 2.1



#### Step 2.2

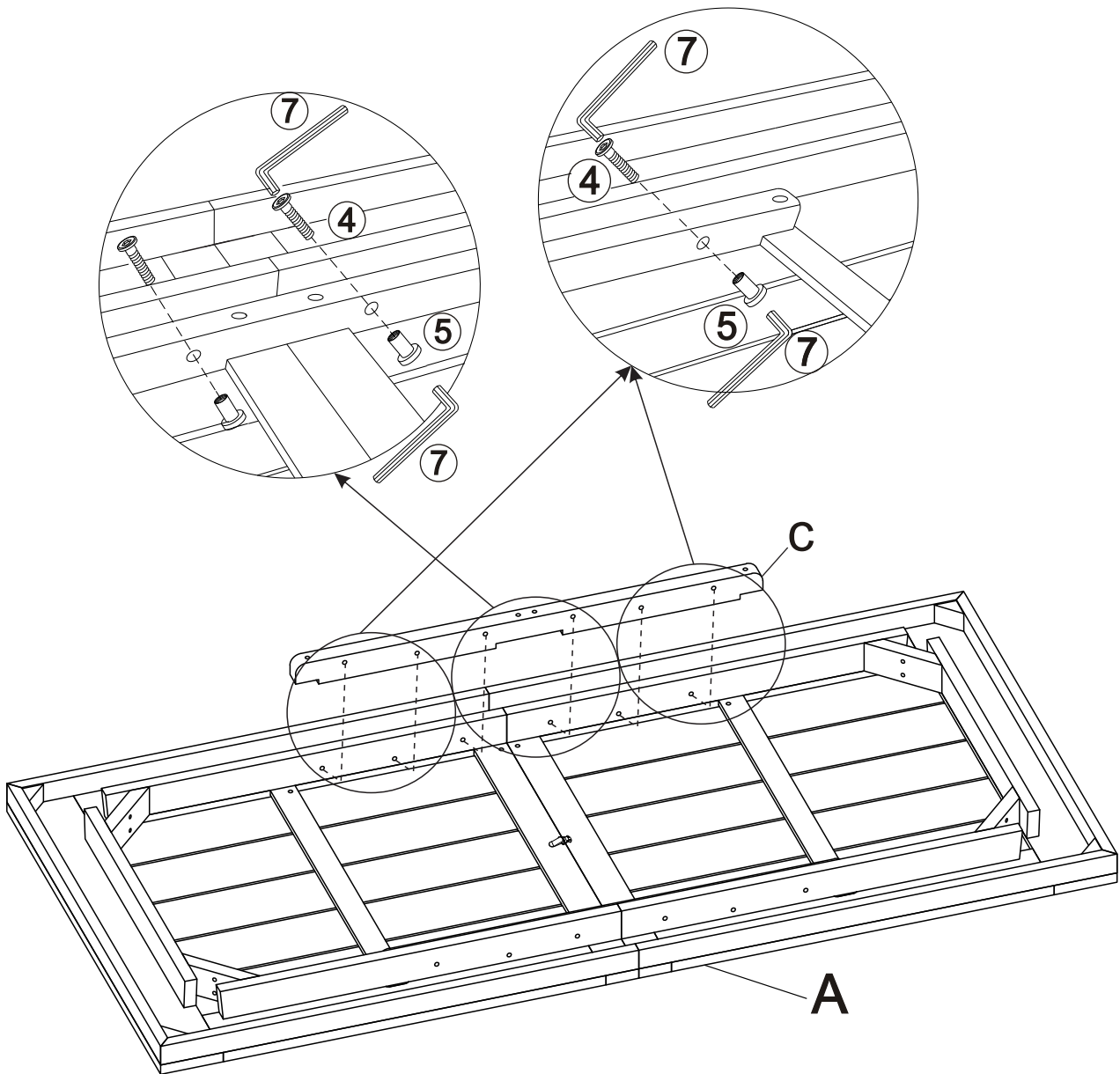


In step 2.1: Place the Table top (A) on a clean, non-marring surface. Insert iron dowels of Table top into holes of Table top.

In step 2.2: Using Duckbill Buckle to lock the Table top with Table top.

## Assembly Steps

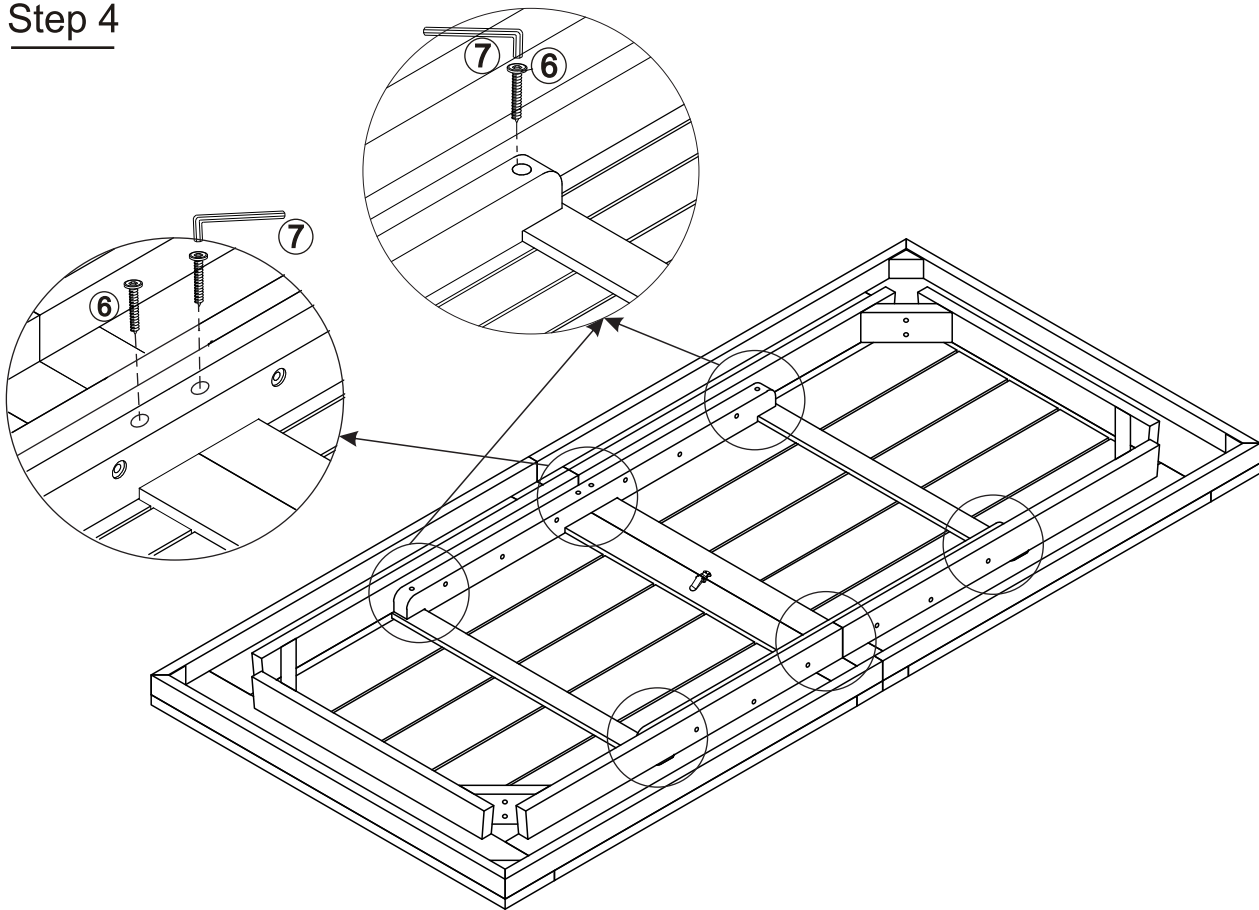
### Step 3



Place Support Bar (C) to the housing of Table Top (A), secure by using the Short Bolts (④), Sleeve Nuts (⑤) and Allen Wrench (⑦), as shown in the picture. Repeat the same process with the other Support Bar (C).  
**Only loosely tighten the Bolts.**

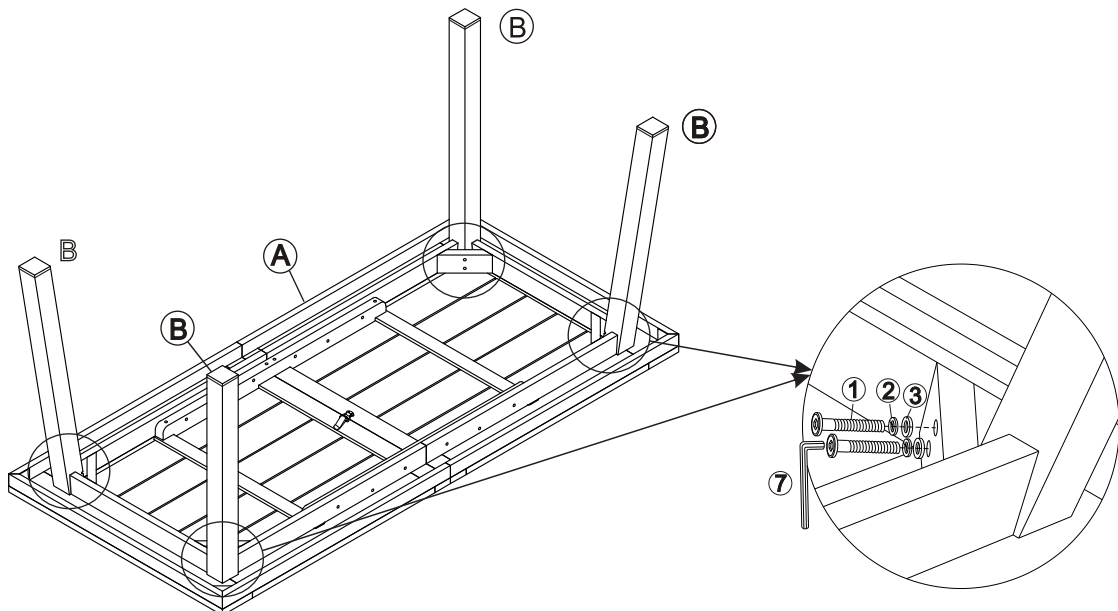
## Assembly Steps

### Step 4



Loosely affix by using the Screws (⑥) and Allen Wrench (⑦) as shown in the picture.  
Repeat the same process with the other Support Bar (C).  
**Only loosely tighten the Screws.**

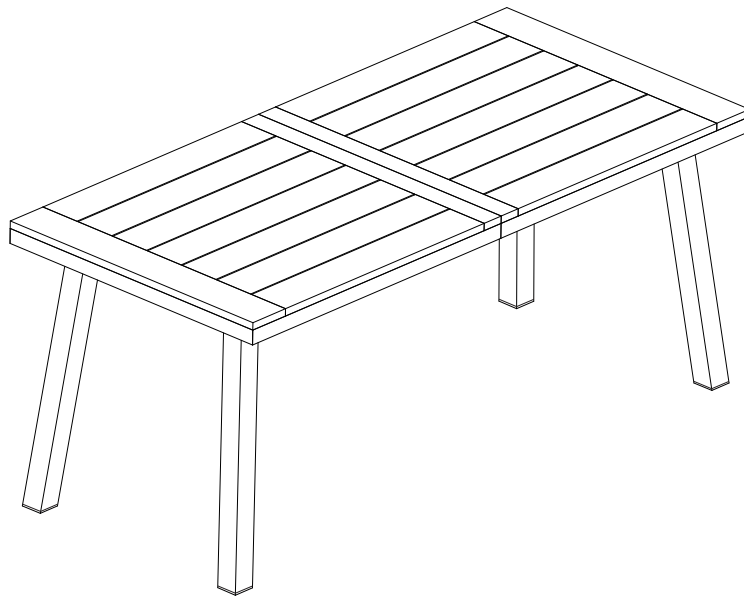
### Step 5



Affix loosely the Legs (B) into the mounting position at the corners of the Table Top (A), using the Long Bolts (①), Spring Washer (②), Flat Washer (③) and Allen Wrench (⑦), as shown in the picture.  
Repeat the same process with the other Legs (B).  
**Only loosely tighten the Bolts.**

## Assembly Steps

### Step 6



with assistance from your adult partners, Turn the Table right side up.

Inspect it and make sure all parts are adequately connected.

Check to ensure there is **NO WOBBLENESS**.

In a sequential manner, ensure all bolts and screws are fully locked into position and secured.

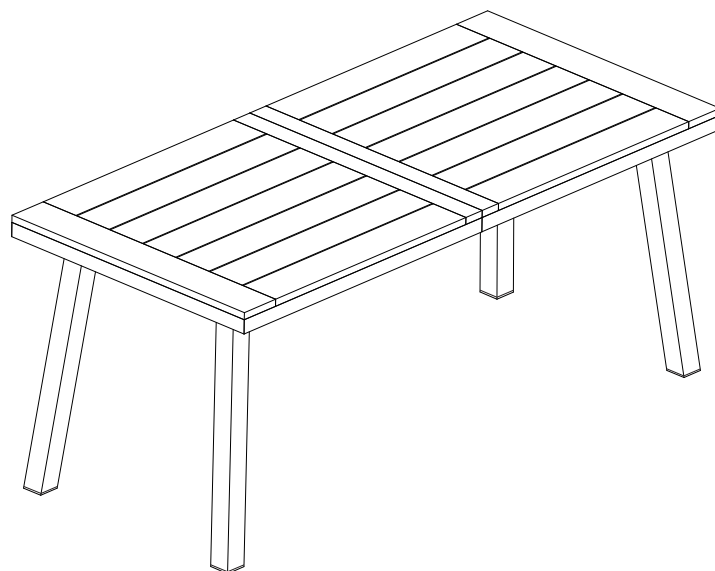
**CAUTION: When tightening these screws, tighten sequentially.**

**DO NOT** tighten any screw fully and then towards the next one. This would cause the frame to warp.

If there is still wobbles, loosen the screws and execute this same drop tests.

**WARNING !! IF TABLE IS NOT STABLE, IT COULD LEAD TO DAMAGING THE PRODUCT.**

### Step 7






Ensure all screws are fully locked into position.

The Table is ready to be used.

**Caution: This Table can only be used on flat, level surface.**

## Care & Maintenance

	<ul style="list-style-type: none"><li>● Furniture may scratch floors. We recommend using furniture pads to protect your floors.</li></ul>
	<ul style="list-style-type: none"><li>● Do not put hot items directly on furniture surface.</li></ul>
	<ul style="list-style-type: none"><li>● Do not clean furniture with harsh cleansers or polish.</li></ul>
	<ul style="list-style-type: none"><li>● Do not place furniture under direct sunlight.</li></ul>
	<ul style="list-style-type: none"><li>● Do not place furniture near heating or cooling vents.</li></ul>
	<ul style="list-style-type: none"><li>● Do not write on furniture without a padded barrier to protect the surface.</li></ul>
	<ul style="list-style-type: none"><li>● Do not place furniture outside . For indoor use only.</li></ul>
	<ul style="list-style-type: none"><li>● Not for commercial use. For residential use only.</li></ul>
	<ul style="list-style-type: none"><li>● Stains may be removed with mild soap solution and damp cloth.</li></ul>
	<ul style="list-style-type: none"><li>● Children should not climb or jump on the furniture.</li></ul>
	<ul style="list-style-type: none"><li>● Dust and pick-up spills using a clean, non-colored, lint-free cloth.</li></ul>