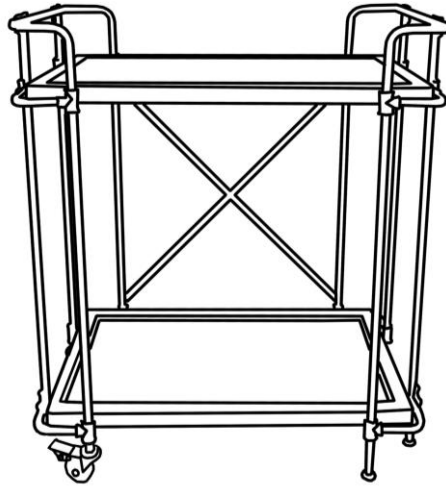






Assembly Instructions

Caution : You must read this before you proceed





Trolley



Parts List

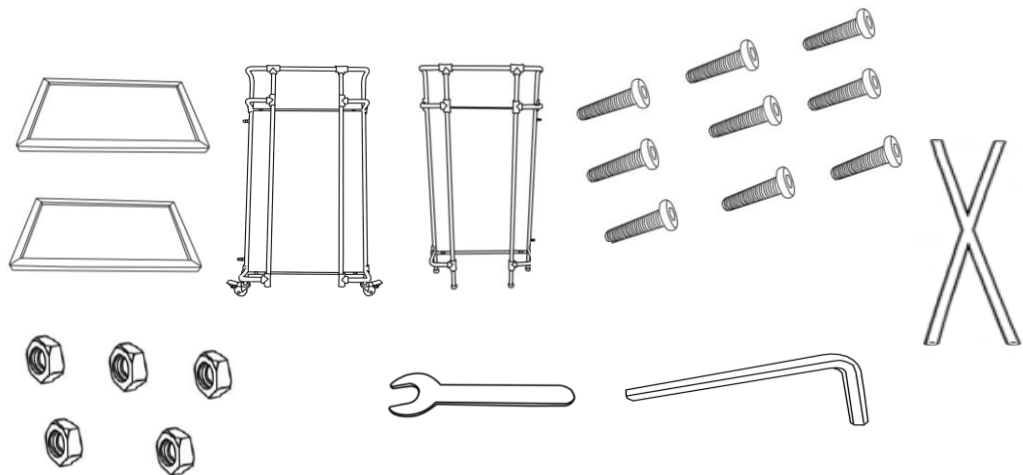
Label	Picture	Description	QTY
A		Wooden Tray	2
B		Left Leg Frame	1
C		Right Leg Frame	1
D		X' Iron Stretcher	1

Hardware

Label	Picture	Description	QTY
①		Nut Cap	5
②		Wrench	1
③		Bolt (M6*15)	9
④		Allen Key	1

Assembly Preparation

Before Beginning Assembly:



- Read instructions, cover to cover-



- Have 2 adults on hand for assembly-



- Do not assemble on flooring or carpet-



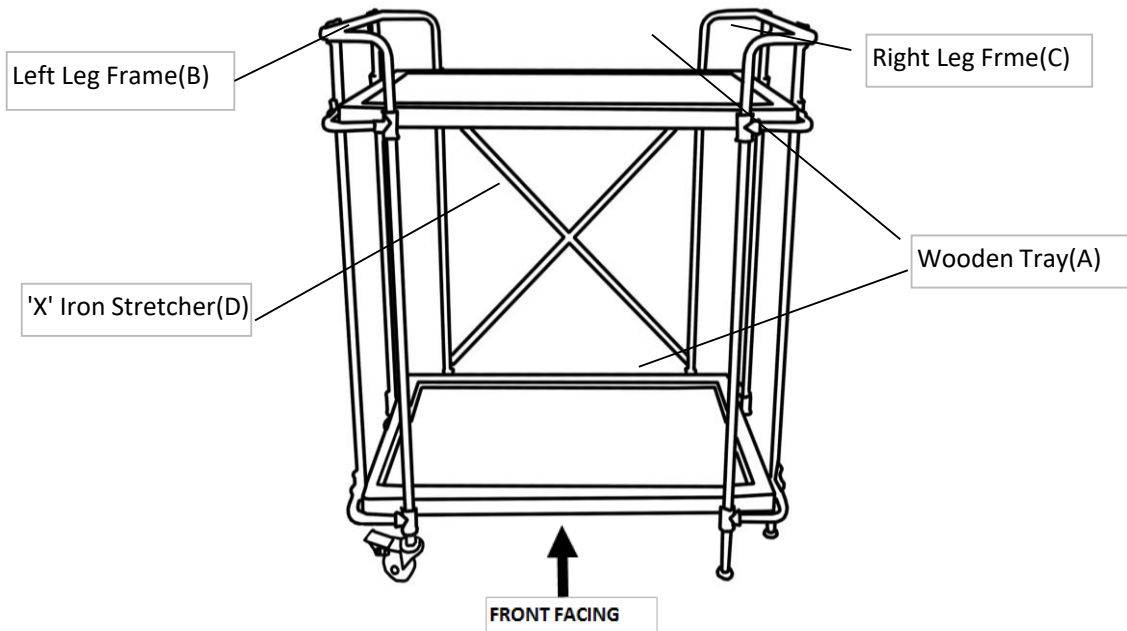
- Assemble on a clean non-marring surface (packing foam)-



- Save all packaging until finished-

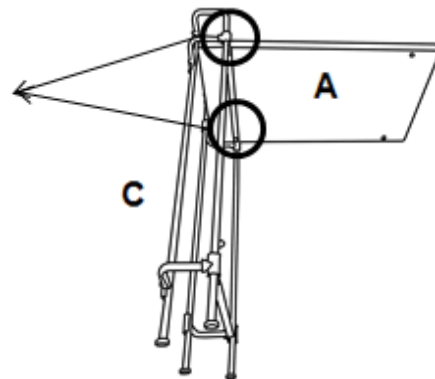
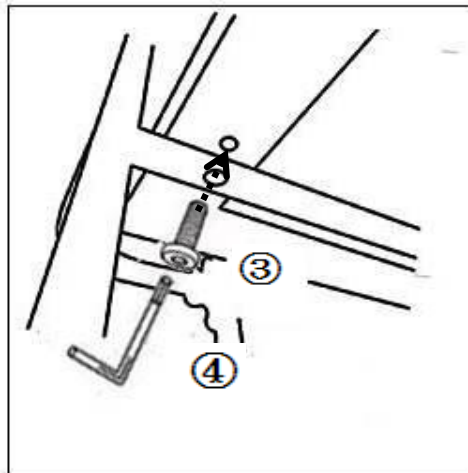
Assembly Steps

Overview



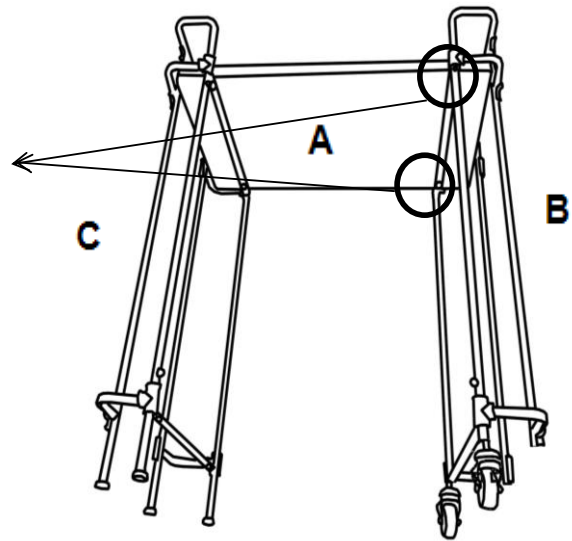
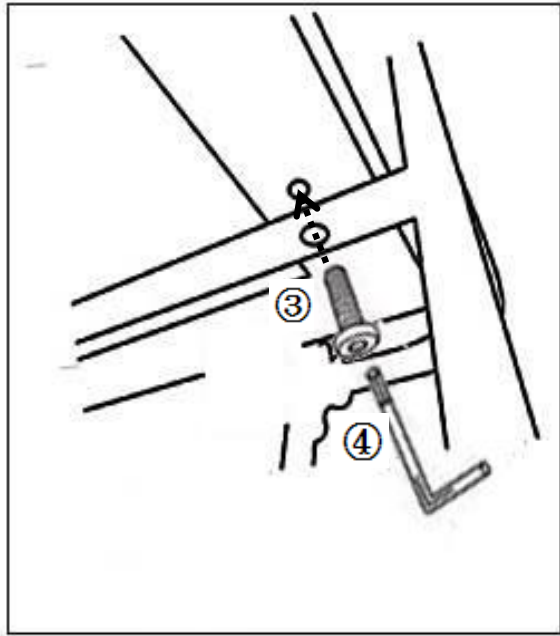
This Trolley has multiple parts and may require up to 30 minutes to assemble. To give you an overview of the Trolley parts, the above picture is to help you put the various parts into perspective. Please read through the instructions below to familiarise yourself with the parts and steps before assembly.

Step 1



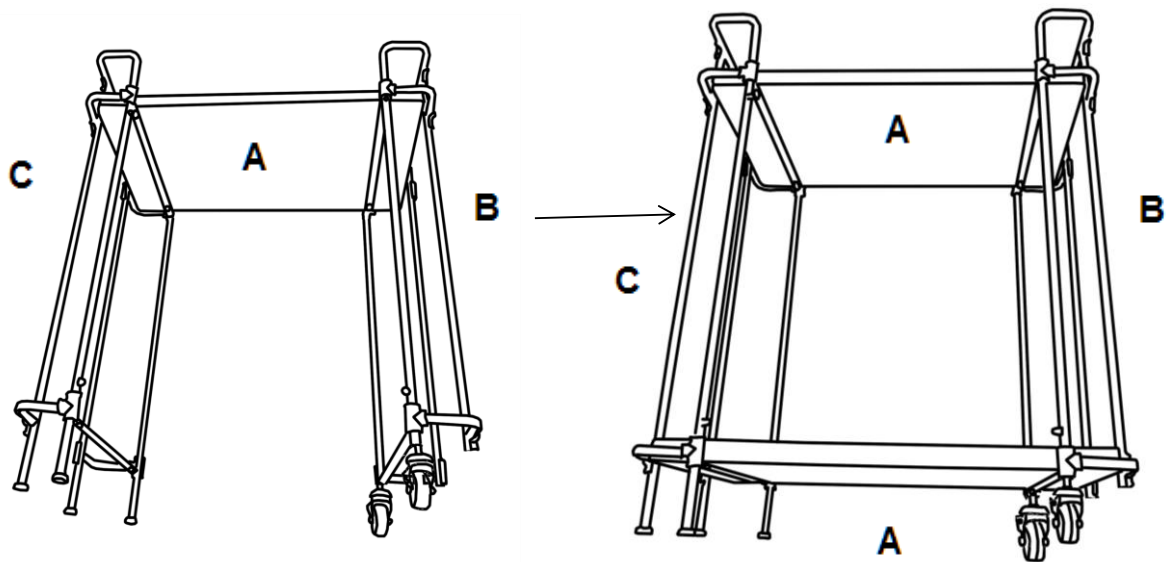
Open the carton and place all parts onto a clean, non-marring surface.
Place the Right Leg Frame(C) on it's side as shown.
Attach the top Wooden Tray(A) to the Right Leg Frame(C) using Bolts(3) with Allen Key(4).
Do not fully tighten the Bolts.

Step 2



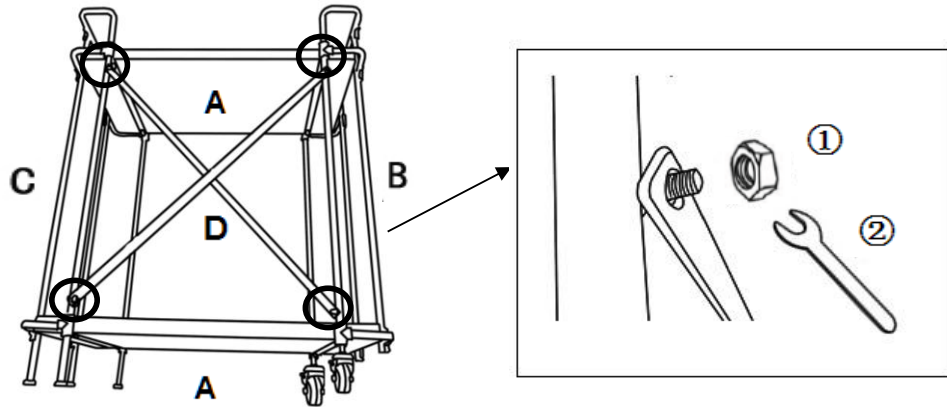
Attach Wooden Tray(A) to Left Leg Frame(B) using Bolts(3) with Allen Key(4).
Do not fully tighten the Bolts.

Step 3



Attach bottom Wooden Tray(A) between Right Leg Frame(C) and Left Leg Frame(B) using Bolts(3) with Allen Key(4).
Do not fully tighten the Bolts.

Step 4



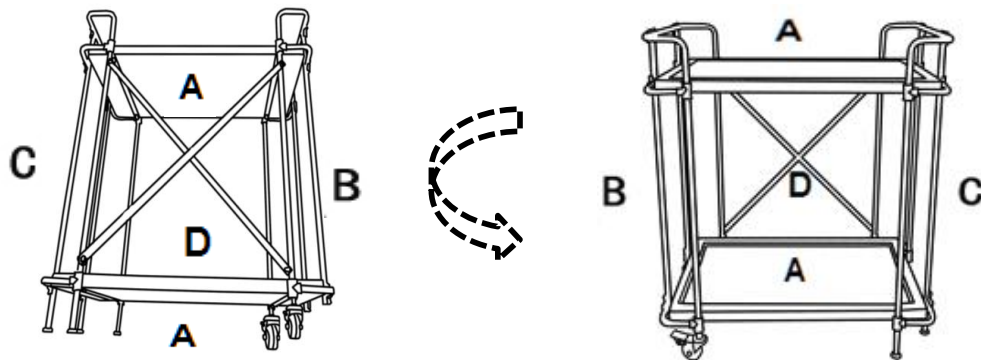
Place the Trolley face down as shown.

Align the 'X' Iron Stretcher(D) with the four corners of the Trolley.

Attach 'X' Iron Stretcher to the Trolley using Nut Caps(①) with Wrench(②).

Do not fully tighten the Nut Caps.

Step 5



Stand the Trolley up.

Check for stability and then tighten the Bolts and Nut Caps.

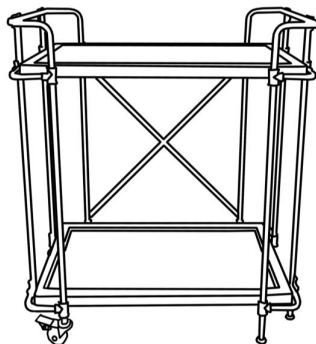
DO NOT fully tighten a Bolt or Nut Cap in one go and then move on to the next.

Rather, in a sequential manner, gradually tighten each Bolt and Nut Cap until all Bolts and Nut Caps are evenly secured.

This methodology will ensure maximum evenness once all Bolts and Nut Caps are fully tightened.

Note: This step is done better with the assistance of a second adult.



















Step 6



Your Trolley is ready for use.

The Trolley can be only used on a flat, level surface.

Care & Maintenance

-   ● Do not put hot items directly on furniture surface
 -   ● Do not clean furniture with harsh cleansers or polish.
 -   ● To obtain the longest lifespan of your outdoor products, minimizing exposure to direct sunlight is recommended.
 -   ● Children should not climb or jump on the furniture.
 -   ● Do not write on furniture without a padded barrier to protect the surface.
 -   ● To obtain the longest lifespan of your outdoor products, avoid extended and lengthy exposure to rain, snow, and direct sunshine. Whenever possible cover the product and /or place under patio or awnings.
 -   ● Not for commercial use. For residential use only .
 -   ● Stains may be removed with mild soap solution and damp cloth.
-
-   ● Dust and pick-up spills using a clean, non-colored, lint-free cloth .