

Caution: You must read this before you proceed


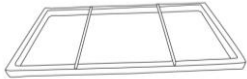
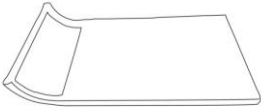
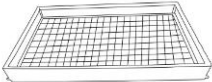
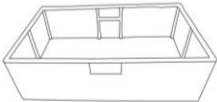
Assembly Instructions

BAR CART




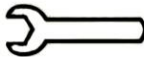



**CAUTION : This Bart Cart is NOT a TOY.
Keep your child / children at bay during the assembly process.**

Parts List

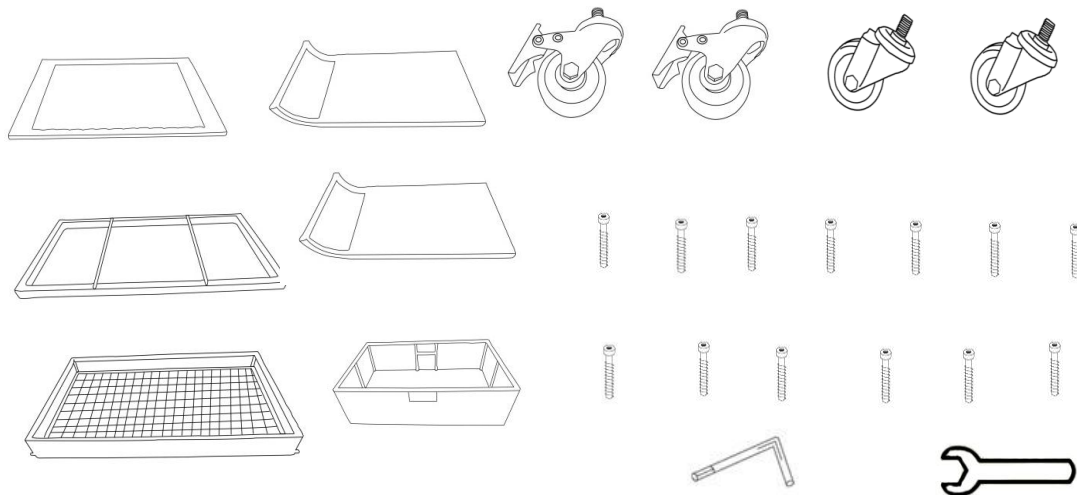
Label	Picture	Description	QTY
A		Top Shelf	1
B		Bottom Shelf	1
C		Handrail	2
D		Middle Tray	1
E		Drawer	1

Hardware

Label	Picture	Description	QTY
①		Wheel(with break)	2
②		Bolt(M6*50MM)	13
③		Allen Wrench	1
④		Spanner	1
⑤		Wheel(with no break)	2

Assembly Preparation

Before Beginning Assembly:



- Read instructions, cover to cover-



- Have 2 adults on hand for assembly-



- Do not assemble on flooring or carpet-



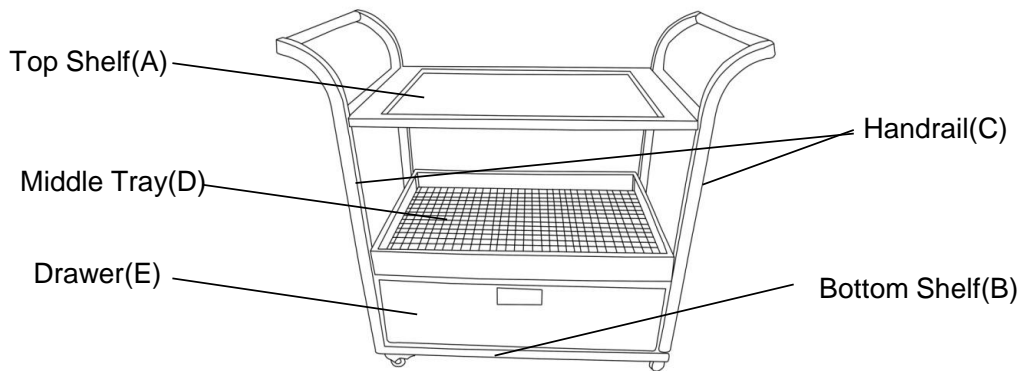
- Assemble on a clean non-marring surface (packing foam)-



- Save all packaging until finished-

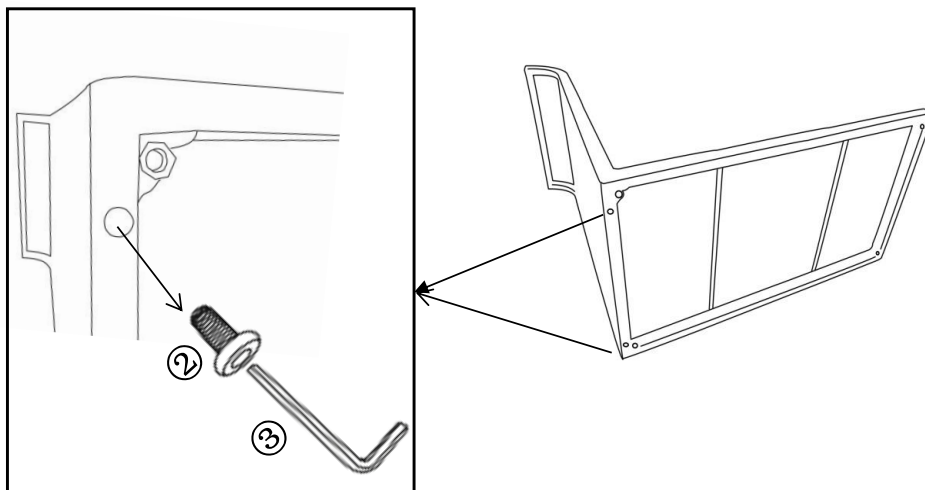
Assembly Steps

Overview



This Bar Cart has multiple parts and may require up to some 30 minutes to assemble. To give you an overview of the Bar Cart parts, the above picture is to help you put the various parts into perspective. Please read through the instructions herebelow to familiarise the parts and steps before assembly.

Step 1

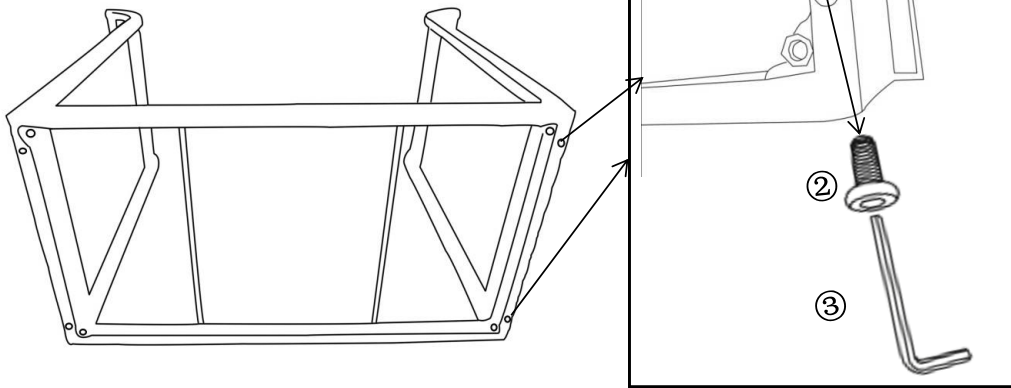


Open the carton and place all the parts onto a clean, non-marring surface. Attach Bottom Shelf(B) to Front Handrail(C) using Bolt(2) with Allen Wrench(3).

Tighten Bolts only up to 80% tightness.

Caution: The Bar Cart Parts are heavy, always have a second Adult to assist you whenever lifting or moving them.

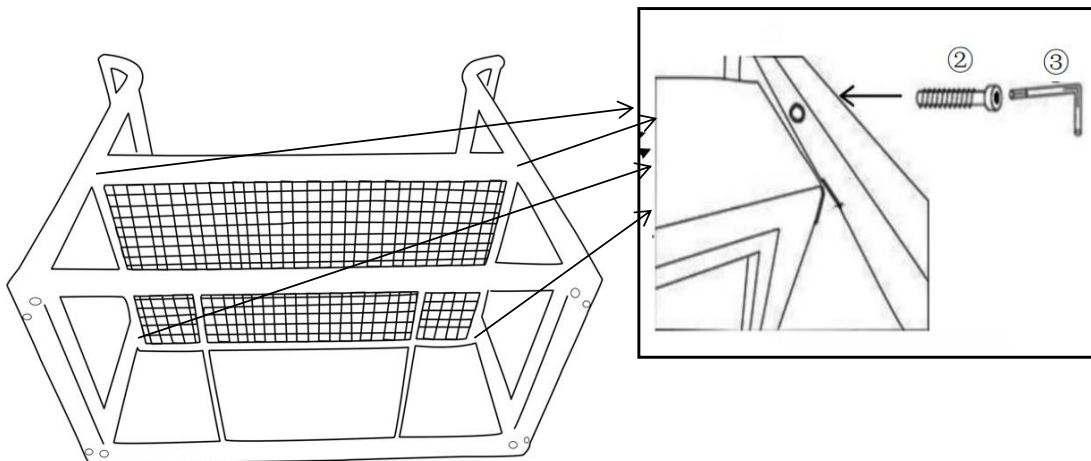
Step 2



Attach Back Handrail(C) to Bottom Shelf(B) using Bolt(2) with Allen Wrench(3).

Tighten Bolts only up to 80% tightness.

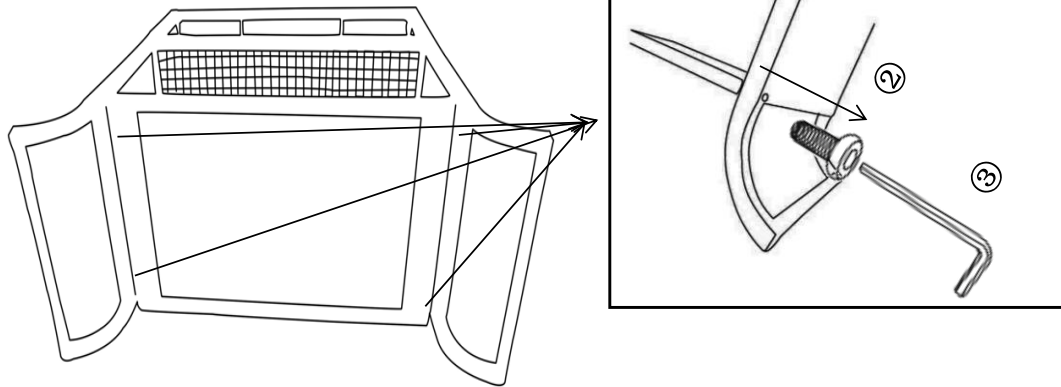
Step 3



Attach middle Tray(D) between Side Panels with Handrail(C) using Bolt(2) with Allen Wrench(3).

DO not over tighten Bolts.

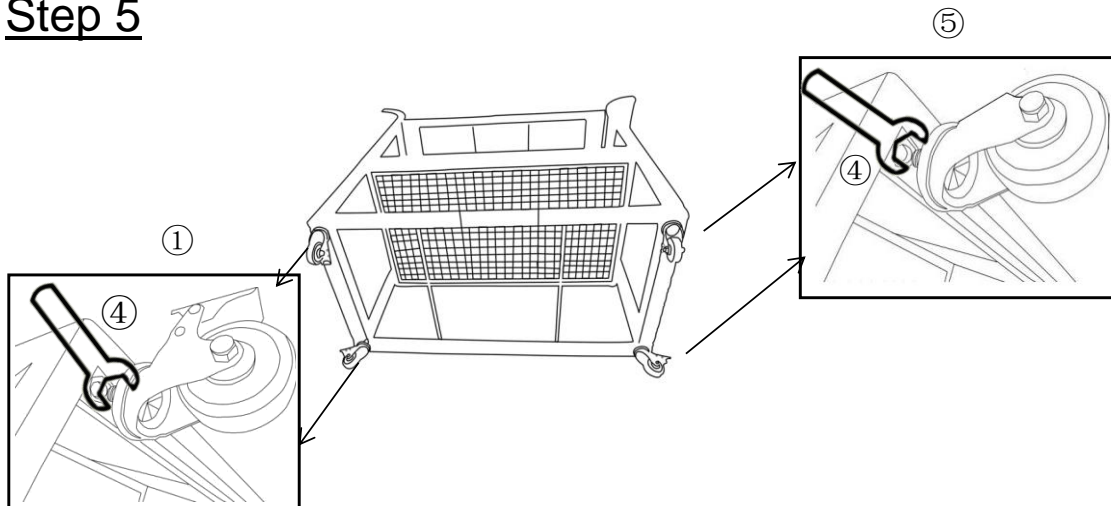
Step 4



Attach Top Shelf(A) to the Front&Back Handrail(C) using Bolt(2) with Allen Wrench(3).

Then, fully tighten all bolts of above steps.

Step 5



Turn-in Wheels(1&5) using Spanner(4), into the four Mounting Positions.

Note: There are two wheels have braking functions, you must keep this two wheels installed in the same end. To activate the Brake press the Lever down. To release the Brake lift the Lever up.

Step 6














Place the Drawer(E) on the Bottom Shelf(B) by aiming at the corresponding slot.

Step 7



Your Bar Cart is ready for use.

Care & Maintenance

- ⊘  ● Prolonged exposure to rain may cause rusting which can stain floors.
- ⊘  ● Do not put hot items directly on furniture surface.
- ⊘  ● Do not clean furniture with harsh cleansers or polish
- ✓  ● To obtain the longest lifespan of your outdoor products, minimizing exposure to direct sunlight is recommended.
- ⊘  ● Children should not climb or jump on the furniture.
- ⊘  ● Do not write on furniture without a padded barrier to protect the surface.
- ✓  ● To obtain the longest lifespan of your outdoor products, avoid extended and lengthy exposure to rain, snow, and direct sunshine. Whenever possible cover the product and /or place under patio or awnings.
- ⊘  ● Not for commercial use. For residential use only.
- ⊘  ● Stains may be removed with mild soap solution and
- ✓  ● Keep away from sources of ignition.
- ✓  ● Dust and pick-up spills using a clean, non-colored, lint-free cloth.