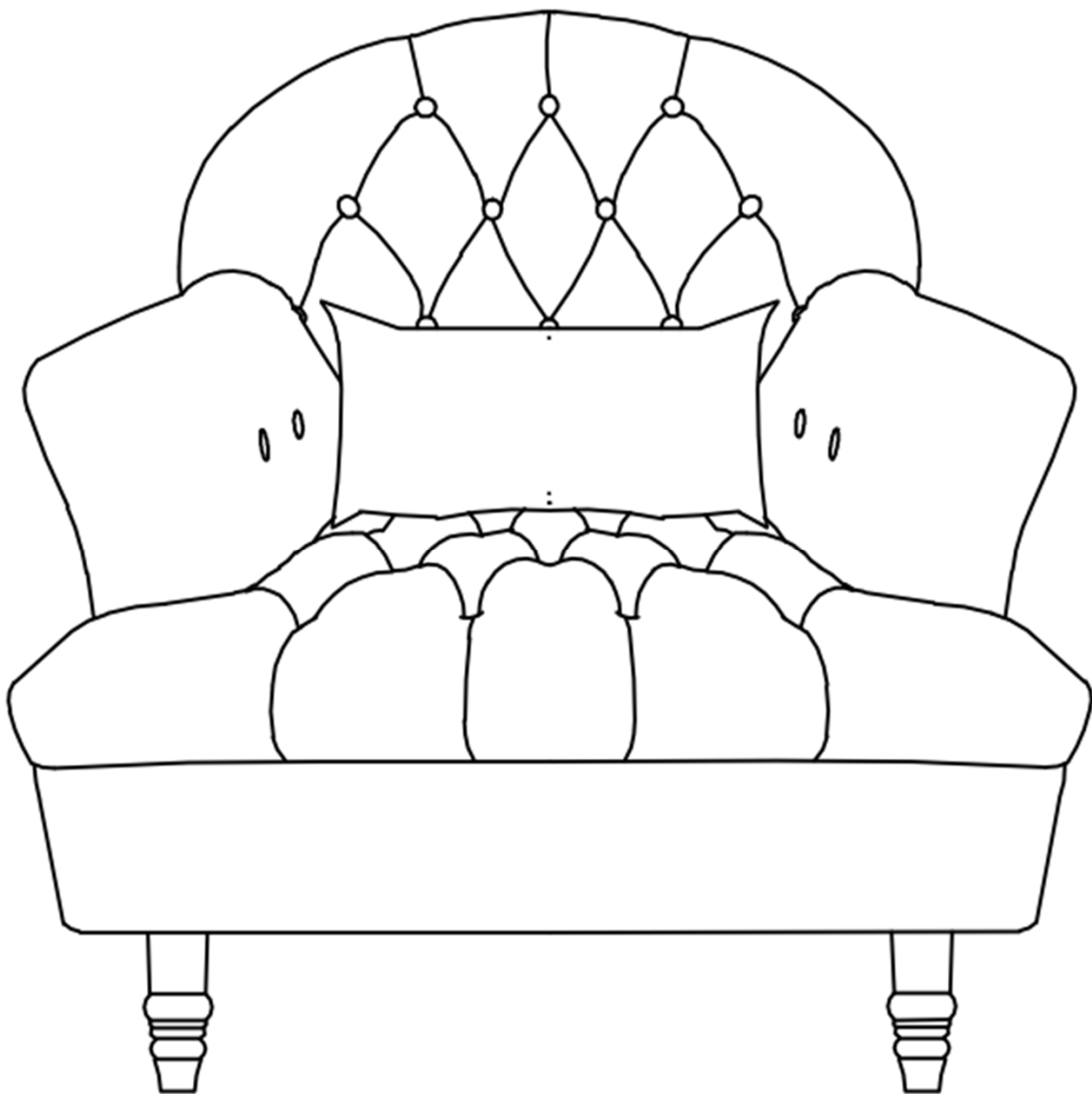


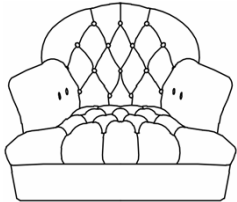
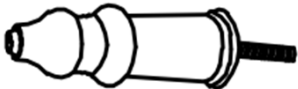

Assembly Instructions

Caution: You must read this before you proceed.

Club Chair



Parts List

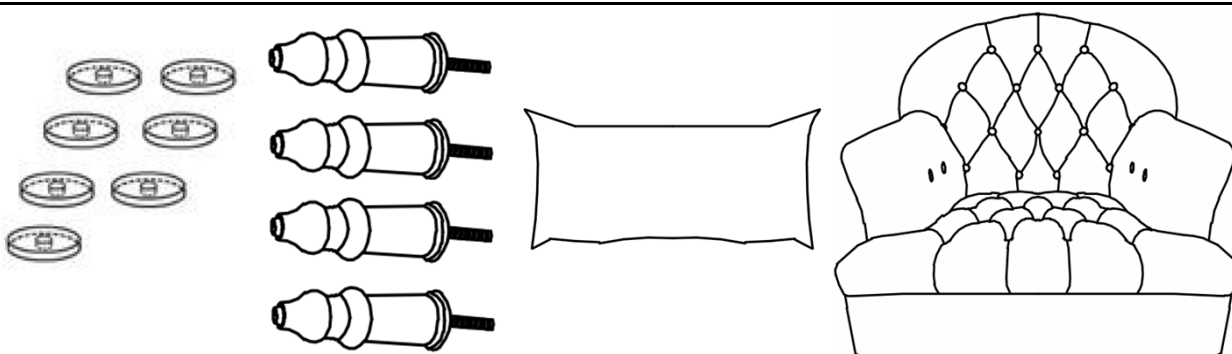
Label	Picture	Description	QTY
A		Chair	1
B		Wooden Legs	4
C		Pillow	1

Hardware

Label	Picture	Description	QTY
1		Washer Ring	7

Assembly Preparation

Before Beginning Assembly:



- Read instructions, cover to cover-



- Have 2 adults on hand for assembly-



- Do not assemble on flooring or carpet-



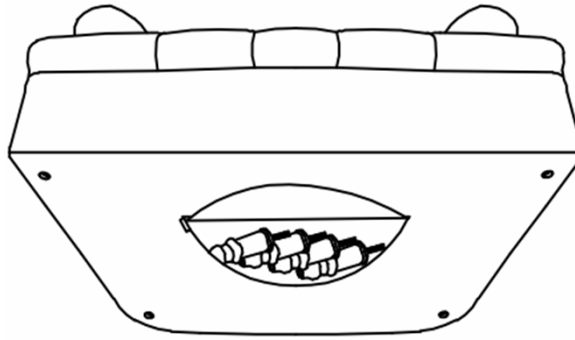
- Assemble on a clean non-marring surface (packing foam)-



- Save all packaging until finished-

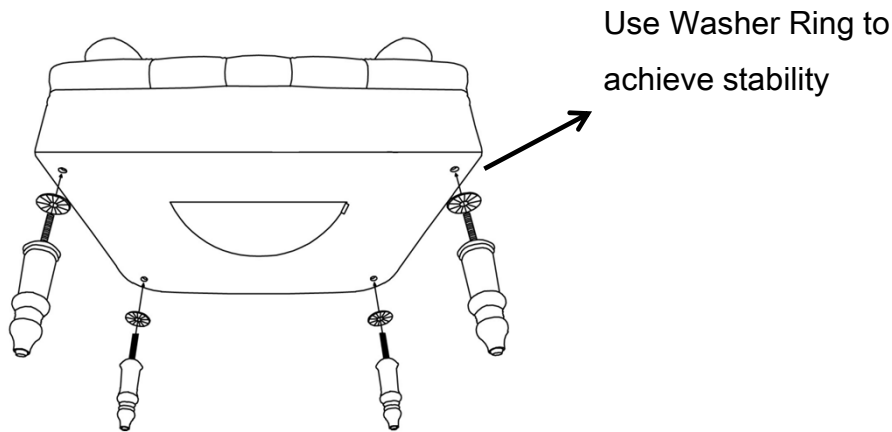
Assembly Steps

Step 1



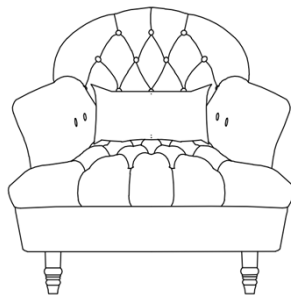
Position the Chair(A) on its back, as shown.
DO NOT place on surface that can scratch or damage upholstery.
Unzip to open and remove the 4 wooden legs.
Close pouch before assembling.

Step 2



Install the Leg(B) into the Chair(A) by putting a Washer Ring(1) (improves tightness and security of leg) on the threaded stem.
The use of washer rings are OPTIONAL and is especially useful to help alleviate slight wobbliness.
Then insert the threaded stem into the threaded hole at each corner of the bottom of the chair.
Tighten by turning leg clockwise.
Repeat the same procedure to install the other 3 remaining legs.

Step 3



Make sure all parts are connected and securely locked into position. Put the pillow on the Chair.
Your chair is ready for use.

Care & Maintenance



• Do not put hot items directly on furniture surface.



• Do not clean furniture with harsh cleansers or polish.



• Do not place furniture under direct sunlight.



• Do not place furniture near heating or cooling vents.



• Do not write on furniture without a padded barrier to protect the surface.



• Do not place furniture outside. For indoor use only.



• Not for commercial use. For residential use only.



• Stains may be removed with mild soap solution and damp cloth.



• Dust and pick-up spills using a clean, non-colored, lint-free cloth.