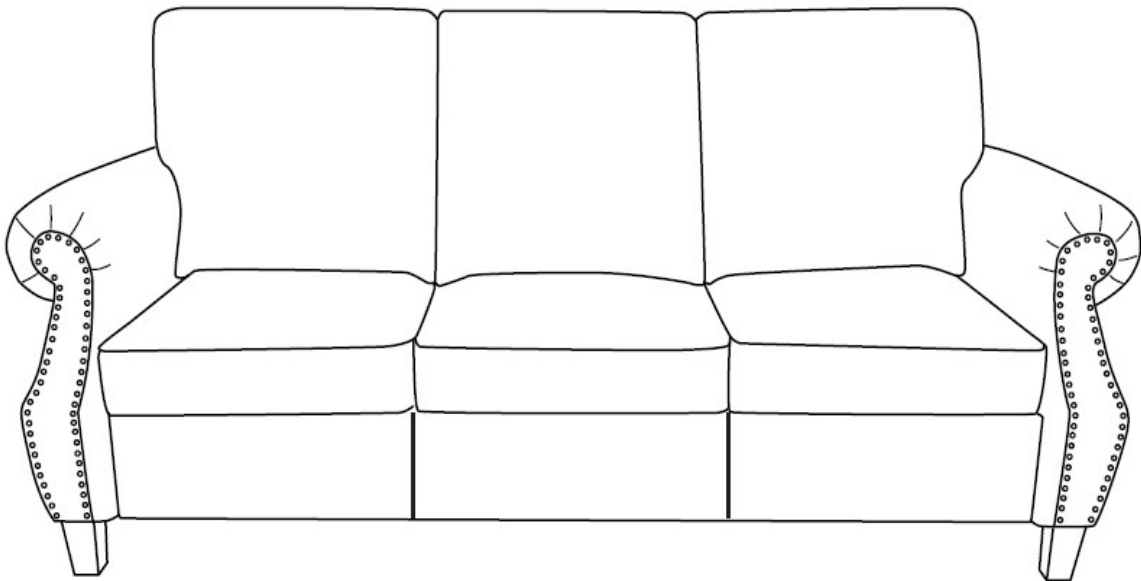


# Assembly Instructions


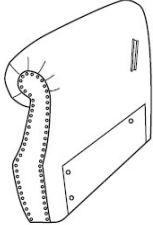
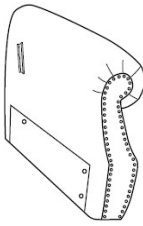


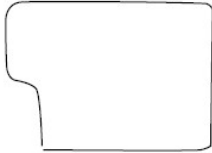
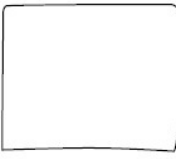


**Caution: You must read this before you proceed**




**Please look in the magic tape pouch for hardware packs and legs**

## SOFA






# Part List

Label	Picture	Description	QTY
A		Backrest	1
B		Left Armrest	1
C		Right Armrest	1
D		Seat	1
E		Front Rail	1
F		Left Back Cushion	1
G		Middle Back Cushion	1
H		Right Back Cushion	1
I		Seat Cushion	3

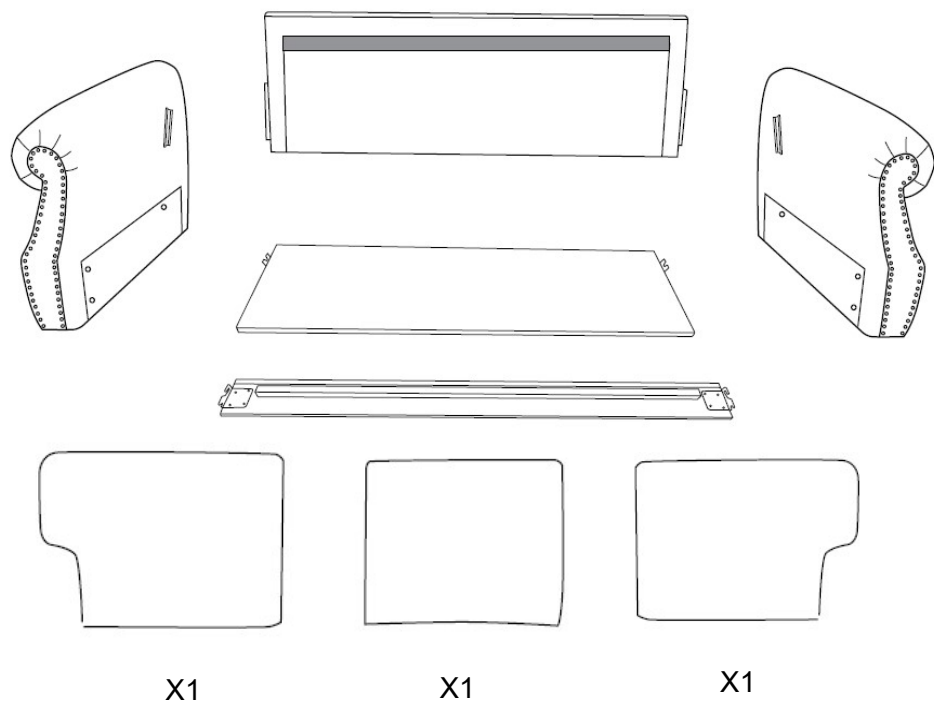
J		Front Leg	2
K		Back Leg	2
L		Middle Leg	1

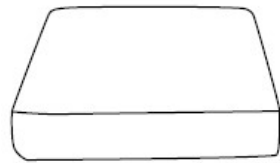
## Hardware List

Label	Picture	Description	QTY
①		Plastic Washer	8
②		Silicon Washer	2
③		Allen Wrench	1

## Assembly Preparation

Before Beginning Assembly:





X3



X2



X2



X1



X8



X2



X1



- Read instructions, cover to cover-



- Have 2 adults on hand for assembly-



- Do not assemble on flooring or carpet-



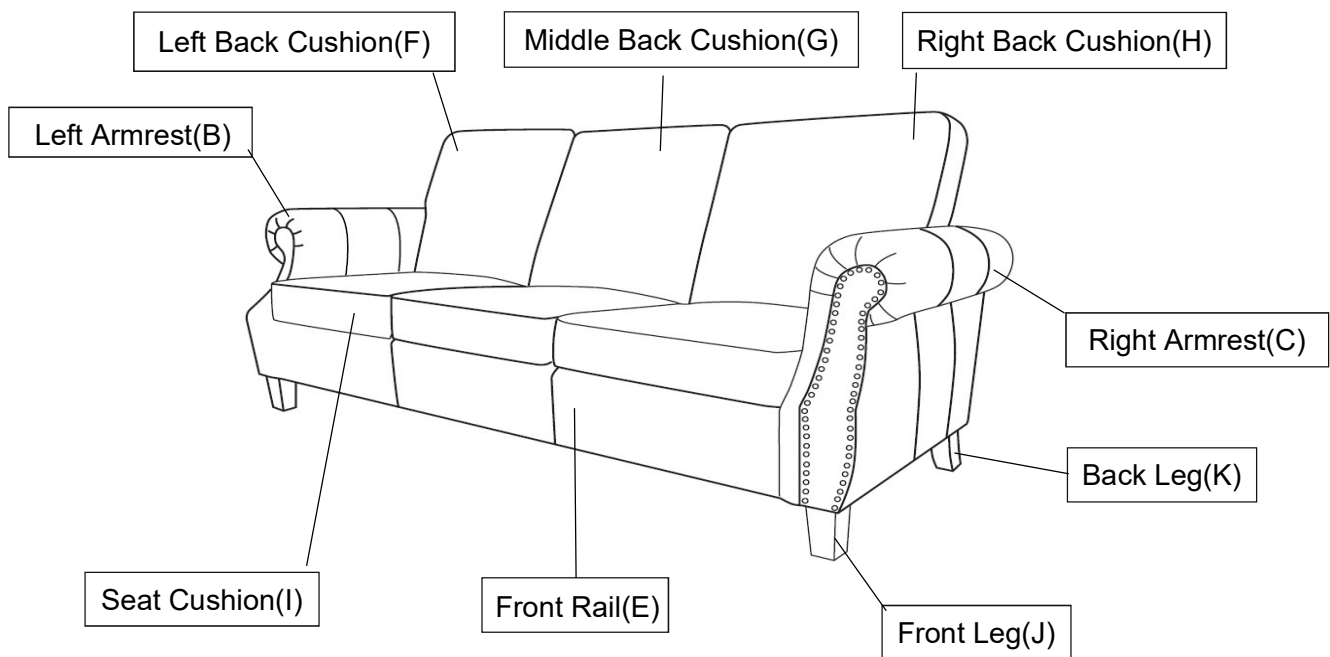
- Assemble on a clean non-marring surface (packing foam)-



- Save all packaging until finished-

## Assembly Steps

### OVERVIEW

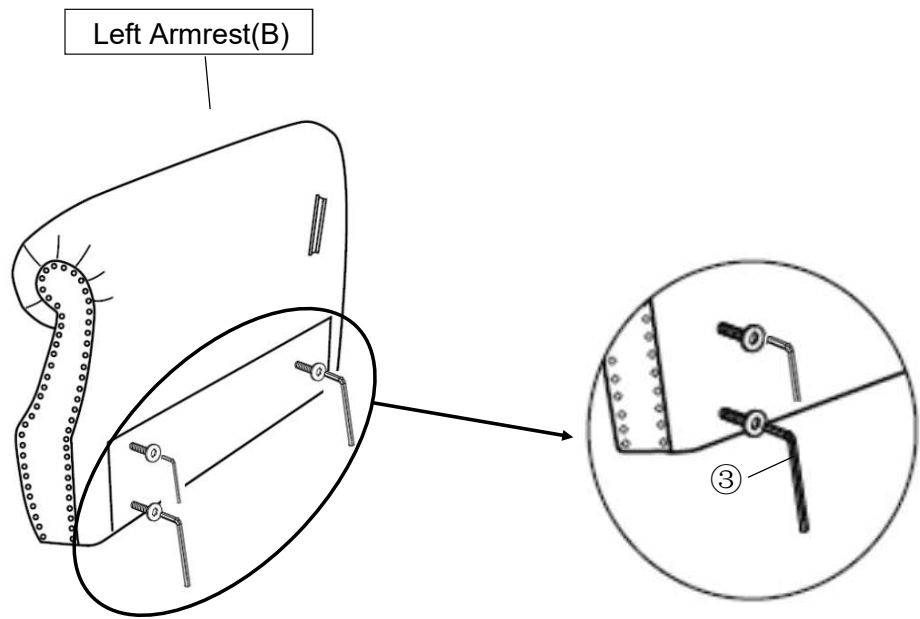


**FRONT FACING**

This Sofa has multiple parts and may require up to 60 minutes to assemble. To give you an overview of the Sofa parts, the above picture is to help you put the various parts into perspective. Please read through the instructions below to familiarise yourself with the parts and steps before assembly.

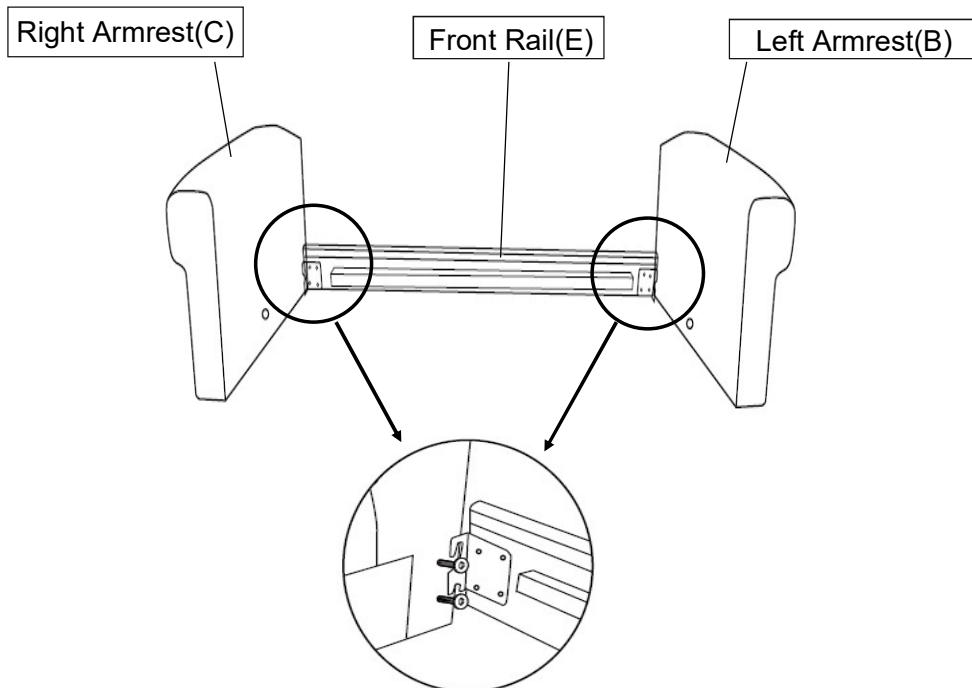
**Note: It is recommended that you have an adult partner to assist during the entire assembly process.**

Step 1



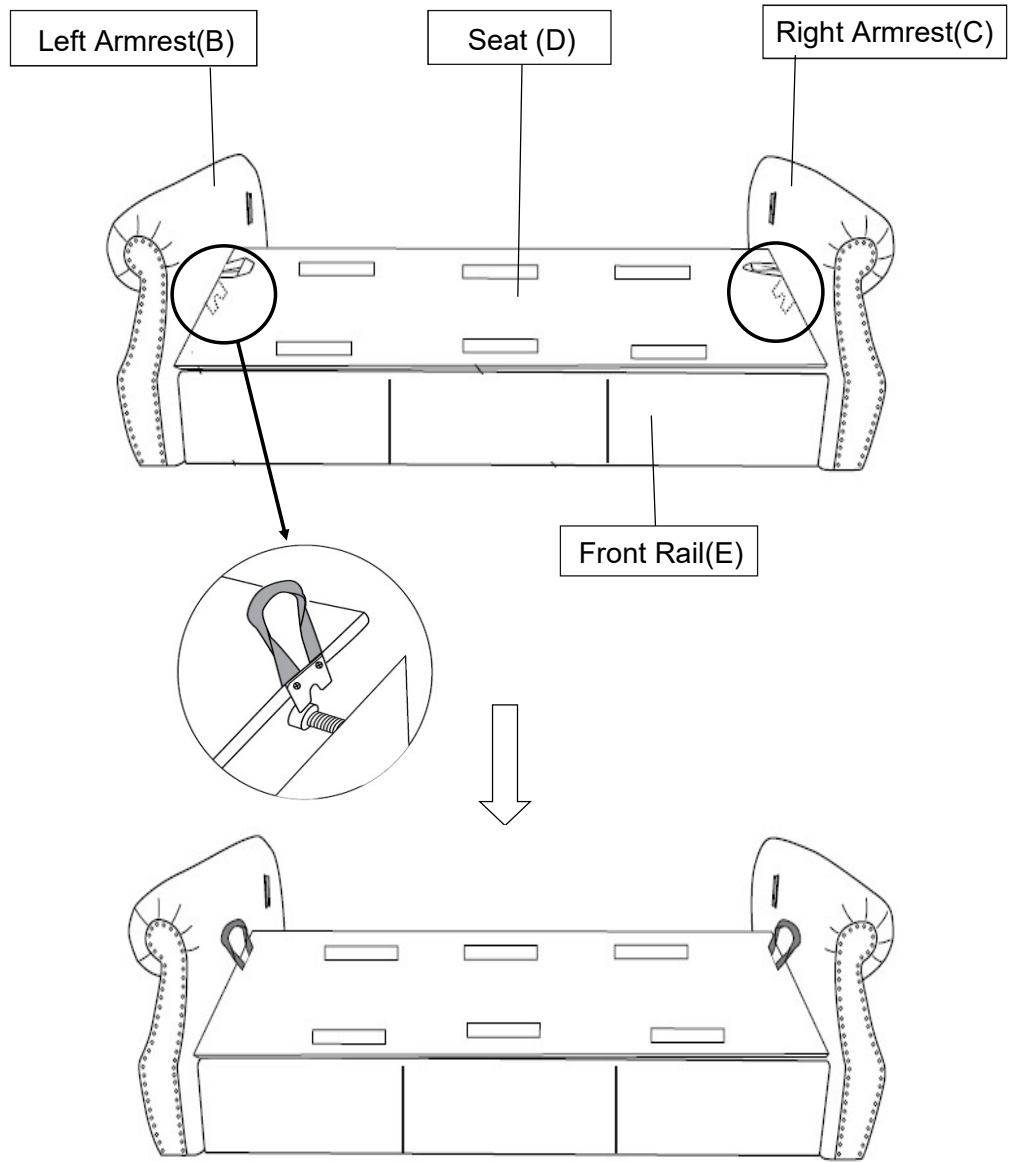
Open the carton and place all parts on a clean non-marring surface.  
Loosen the 3 bolts in the Left Armrest(B) around half an inch using the Allen Wrench(3).  
Repeat the same step to loosen the 3 bolts in the Right Armrest(C).

Step 2



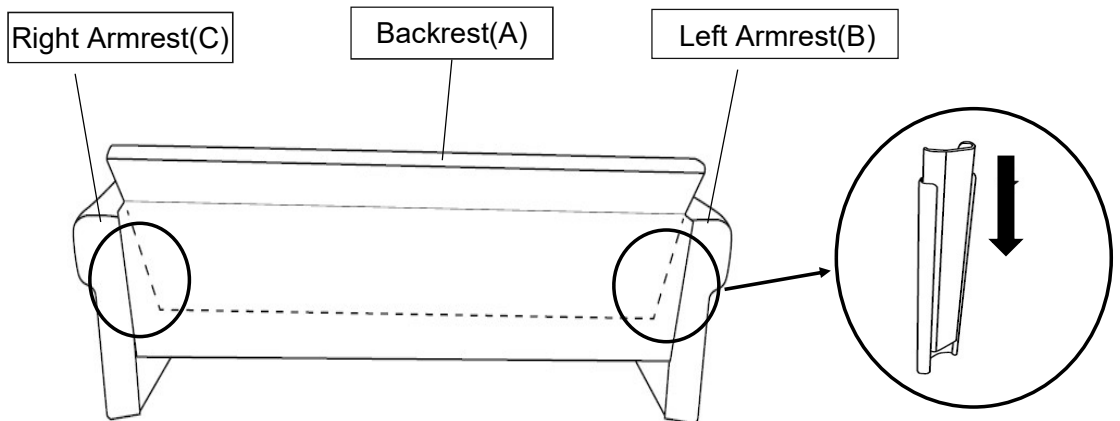
With the assistance of your adult partner, slide the hooks on each end of the Front Rail(E) into the bolts on the Left Armrest(B) and the Right Armrest(C), as shown above.

**Step 3**



With the assistance of your adult partner, lift the rope on the two sides of the Seat(D) by hand. Put the Seat(D) on the wood bar of the Front Rail(E) and then place it down slowly as shown above. **Note:All the u-shaped metal clips need to be clamped onto the bolts.**

**Step 4**



Slide the Tapered Connectors on the Backrest(A) into the Tapered Connectors on the Left Armrest(B) and the Right Armrest(C) as shown in the picture.

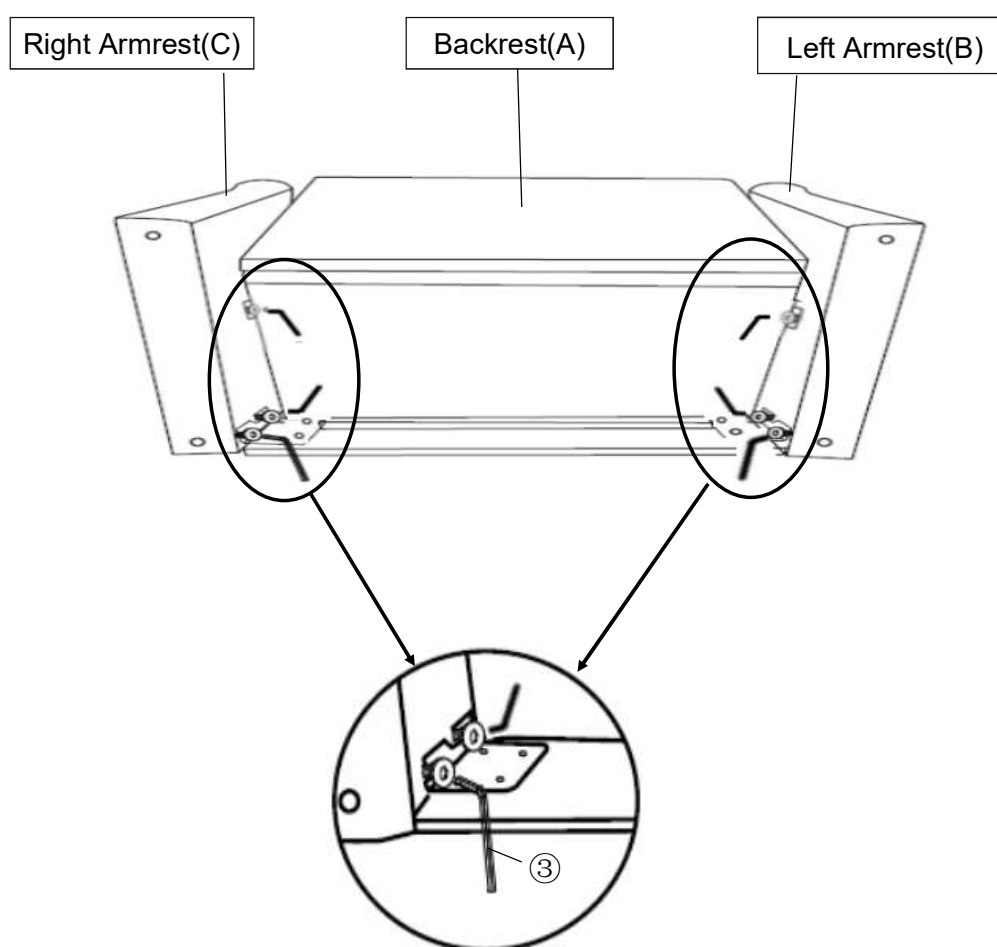
**Note: Make sure the Tapered Connectors on the Backrest(A) lock into the Tapered Connectors on the Left Armrest(B) and the Right Armrest(C).**

**Assistance from an adult partner is necessary for this assembly process.**

**During this assembly process - do exercise caution. You may need to use your hand to press down and or pave away the padded surface to facilitate the 'slip and slide' assembly.**

**Caution: Ensure that your fingers do not get caught or pinched in the assembly process.**

### Step 5

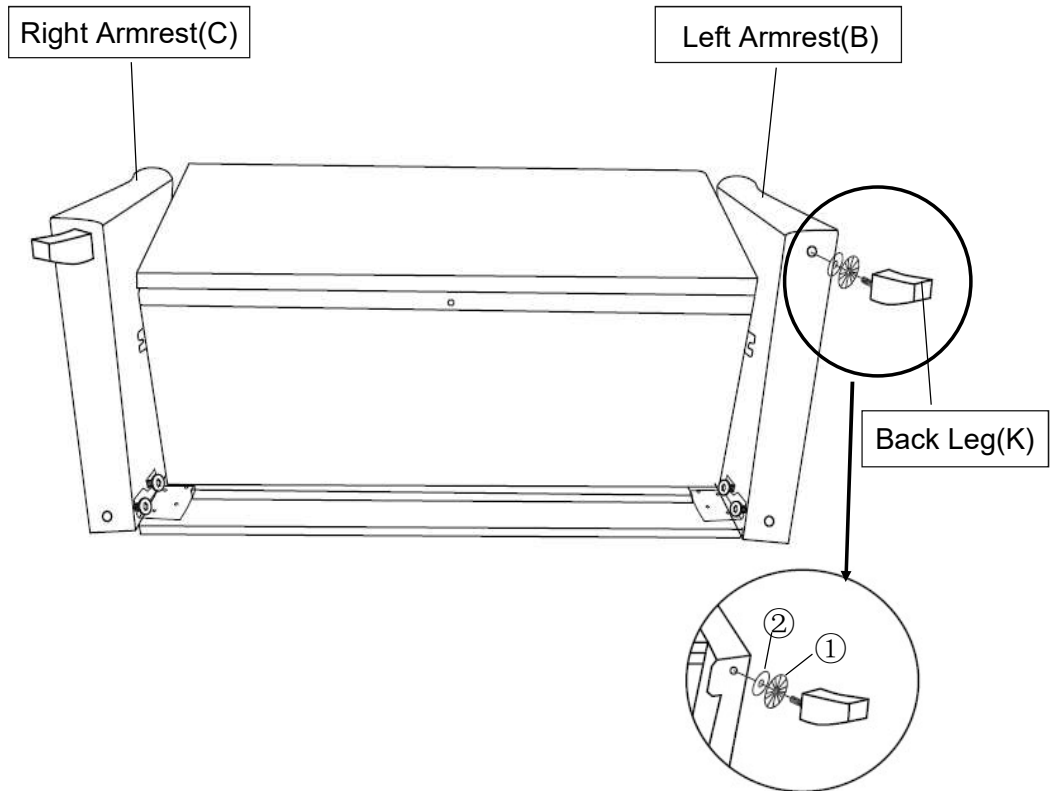


Tilt and lay the Sofa onto a flat surface.

Tighten the Bolts in the bottom of the Left Armrest(B) and the Right Armrest(C) using the Allen Wrench(③) as pictured above.

Tighten the Bolts fully in a sequential manner.

### Step 6

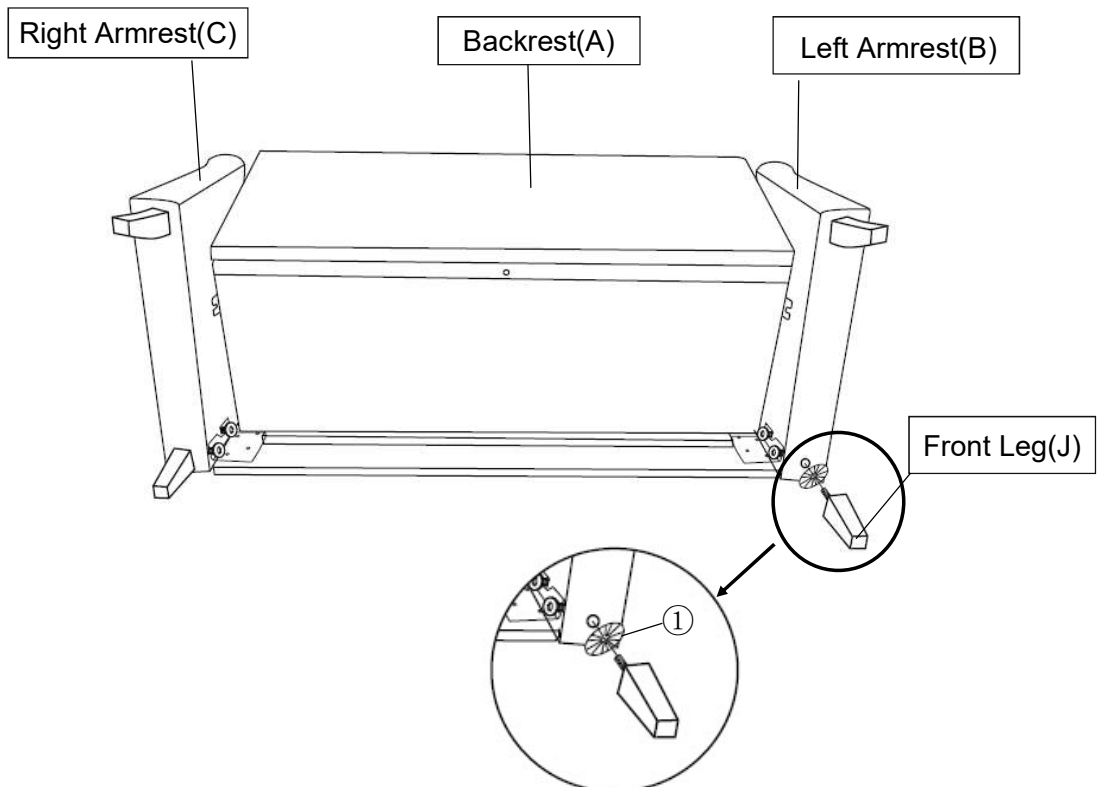


Attach the Back Leg(K) to the Left Armrest(B) using a Plastic Washer(①) and a Silicon Washer(②) turning clockwise until tight.

Repeat the same step with the remaining Back Leg(K).

**Note: The use of Plastic Washers(①) are OPTIONAL and are especially useful to help alleviate slight wobbleness. Some Legs may need more than one Plastic Washer(①) whilst some Legs may not need any.**

### Step 7

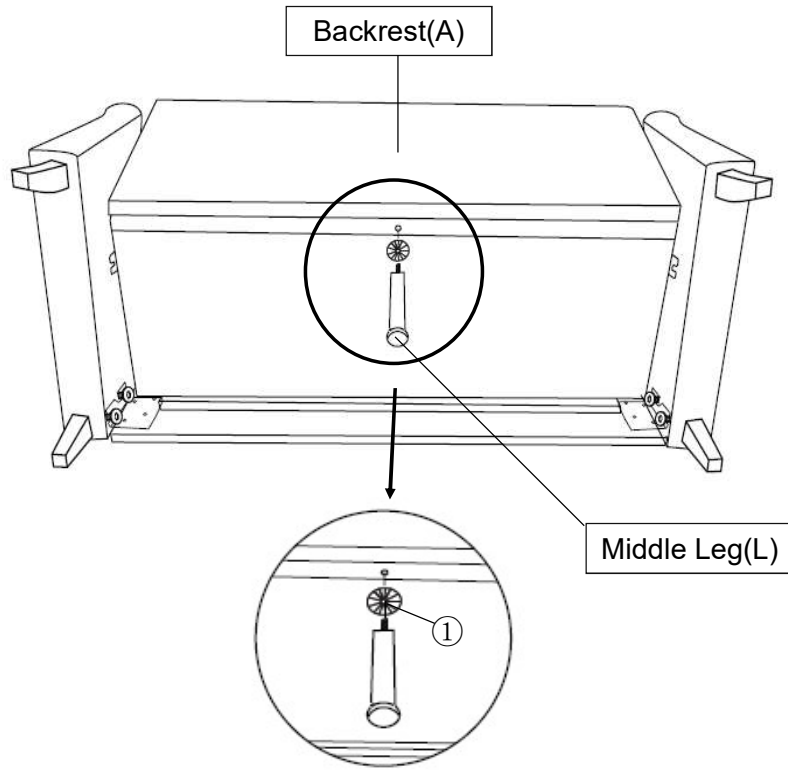




Install the Front Leg(J) to the Left Armrest(B) using a Plastic Washer(①) turning clockwise until tight. Repeat the same step with the remaining Front Leg(J).

**Note: The use of Plastic Washers(①) are OPTIONAL and are especially useful to help alleviate slight wobbleness. Some Legs may need more than one Plastic Washer(①) whilst some Legs may not need any.**

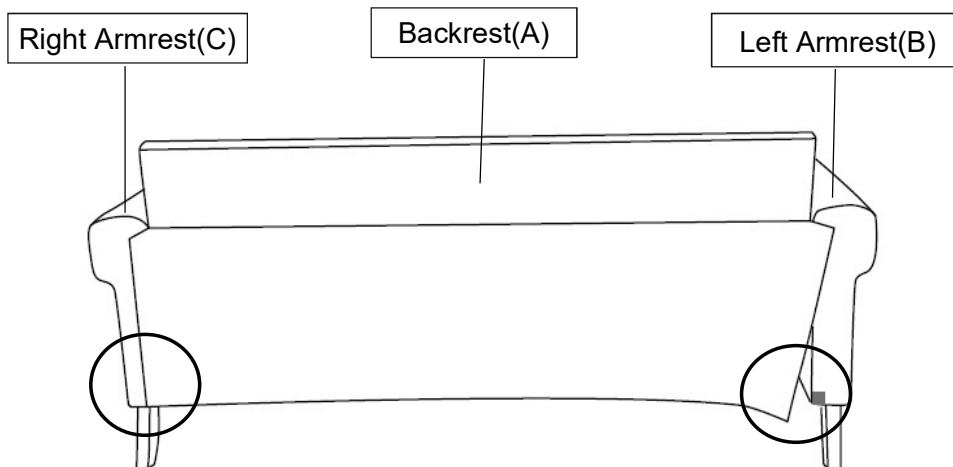
**Step 8**



Attach the Middle Leg(L) to the Backrest(A) using a Plastic Washer(①) turning clockwise until tight.

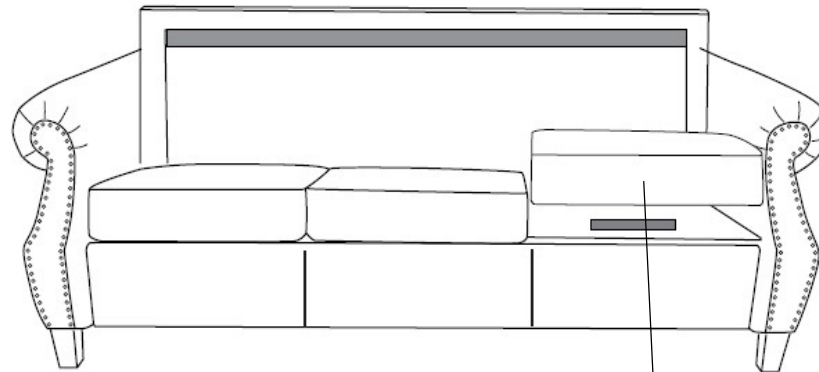
**Note: The use of Plastic Washers(①) are OPTIONAL and are especially useful to help alleviate slight wobbleness. Some Legs may need more than one Plastic Washer(①) whilst some Legs may not need any.**

**Step 9**



Stick the cover of Backrest(A) onto the Magic tape of the Left Armrest(B) and the Right Armrest(C).

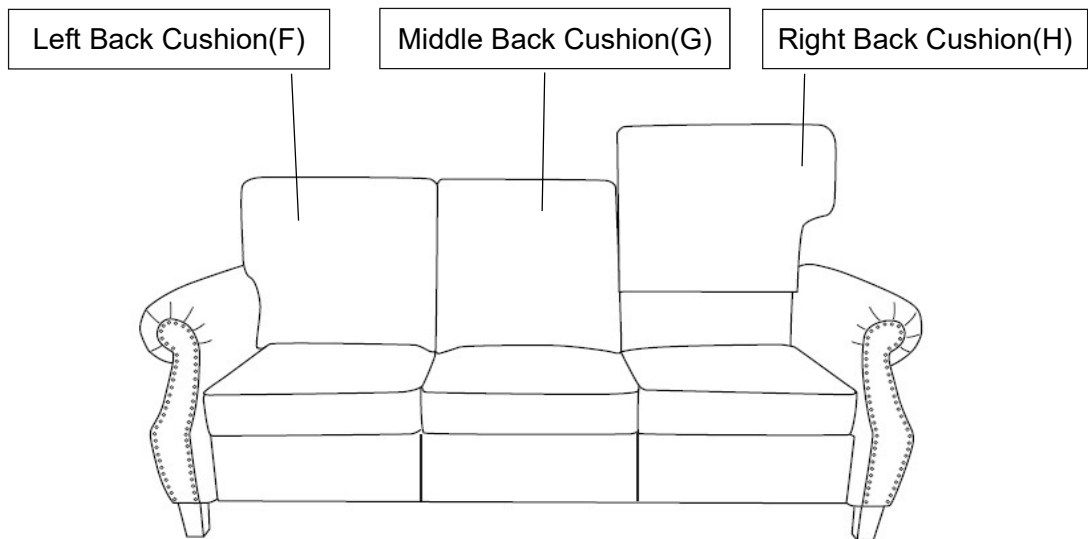
**Step 10**



Seat Cushion(I)

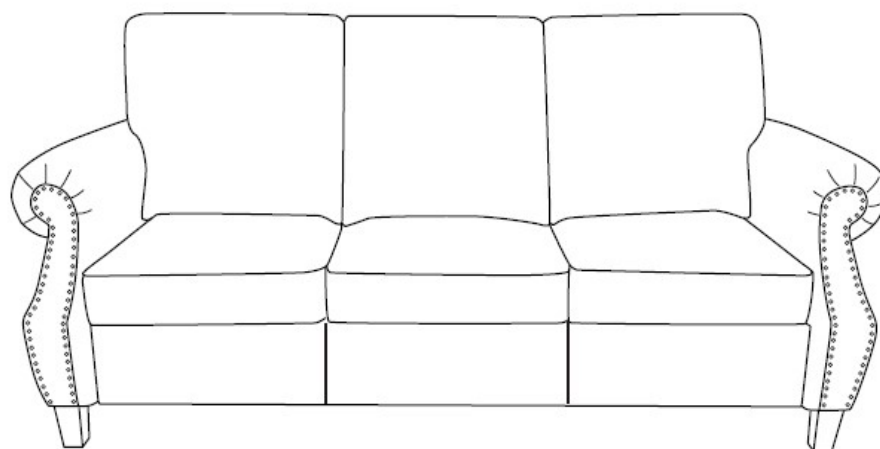
Put the Seat Cushions(I) on the sofa.

**Step 11**



Put the Left Back Cushion(F), Middle Back Cushion(G) and Right Back Cushion(H) on the sofa.

**Step 12**



Your Sofa is ready for use.  
This Sofa can only be used on a flat, level surface.

## Care & Maintenance



- Furniture may scratch floors. We recommend using furniture pads to protect your floors.



- Do not put hot items directly on furniture surface.



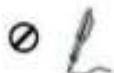
- Do not clean furniture with harsh cleansers or polish.



- Do not place furniture under direct sunlight.



- Do not place furniture near heating or cooling vents.



- Do not write on furniture without a padded barrier to protect the surface.



- Do not place furniture outside . For indoor use only.



- Not for commercial use. For residential use only.



- Stains may be removed with mild soap solution and damp cloth.



- Children should not climb or jump on the furniture.



- Dust and pick-up spills using a clean, non-colored, lint-free cloth.