

Assembly Instructions

Caution : You must read this before you proceed

Please look underneath the table top for hardware packs

TABLE

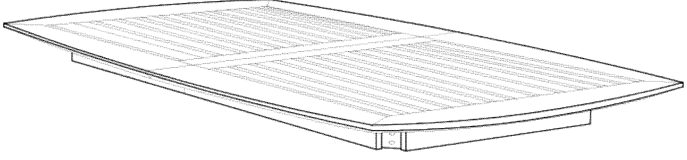
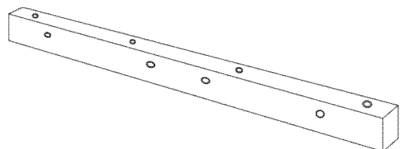



CAUTION : This Table is NOT a TOY.

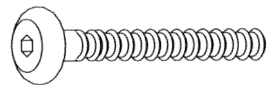

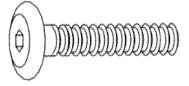


Keep your child / children at bay in the process of assembly.

For turning the Table and preventing damage to the Table, 2 people may be needed to execute this action.

Parts List

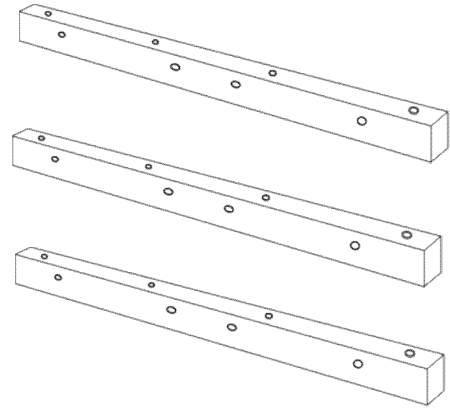
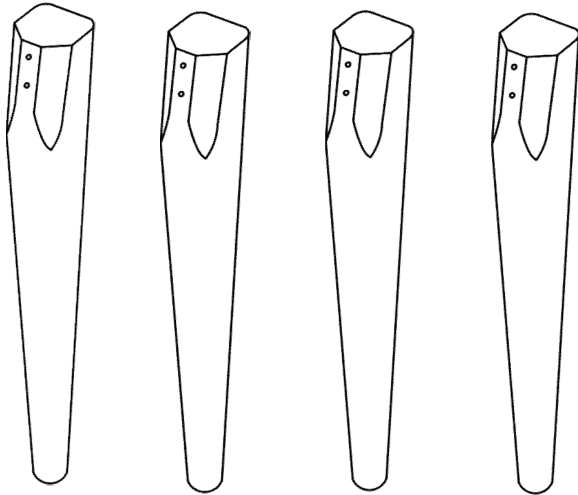
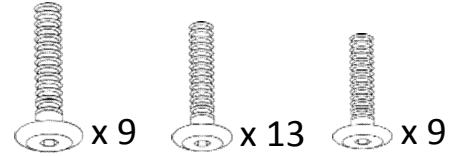
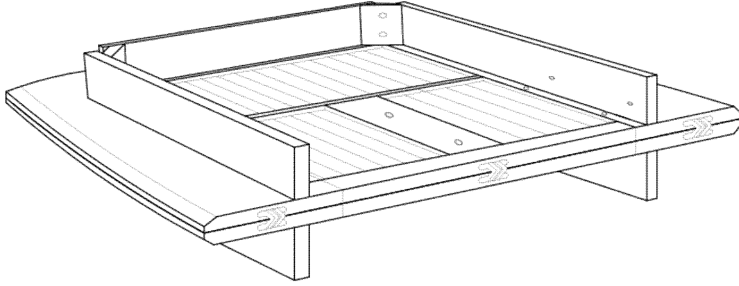
Label	Picture	Description	QTY
A		Foldable Table Top	1
B		Support Bar	3
C		Leg	4

Hardware

Label	Picture	Description	QTY
①		Bolt (M8x55mm)	9
②		Bolt (M6x50mm)	13
③		Bolt (M6x40mm)	9
④		Flat Washer (M8.5/20x2mm)	9
⑤		Allen Key	1

Assembly Preparation

Before Beginning Assembly:



• Read instructions, cover to cover-



• Have 2 adults on hand for assembly-



• Do not assemble on flooring or carpet-



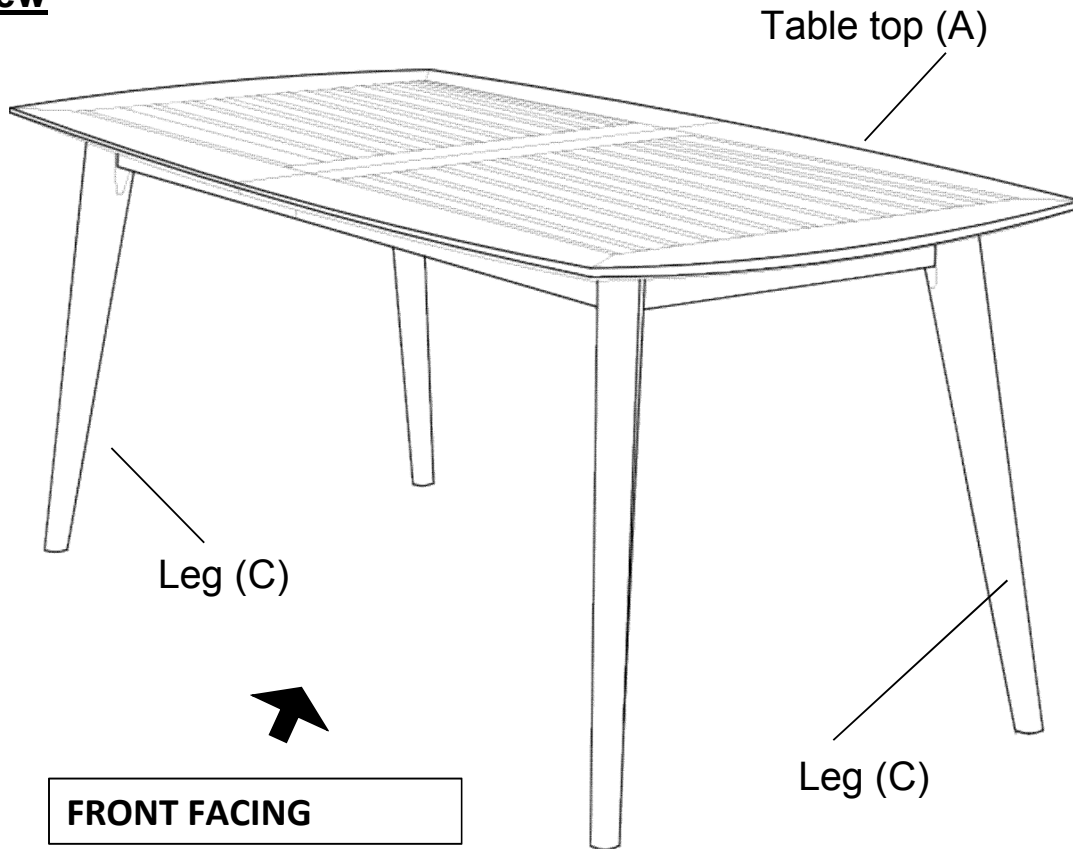
• Assemble on a clean non-marring surface (packing foam)-



• Save all packaging until finished-

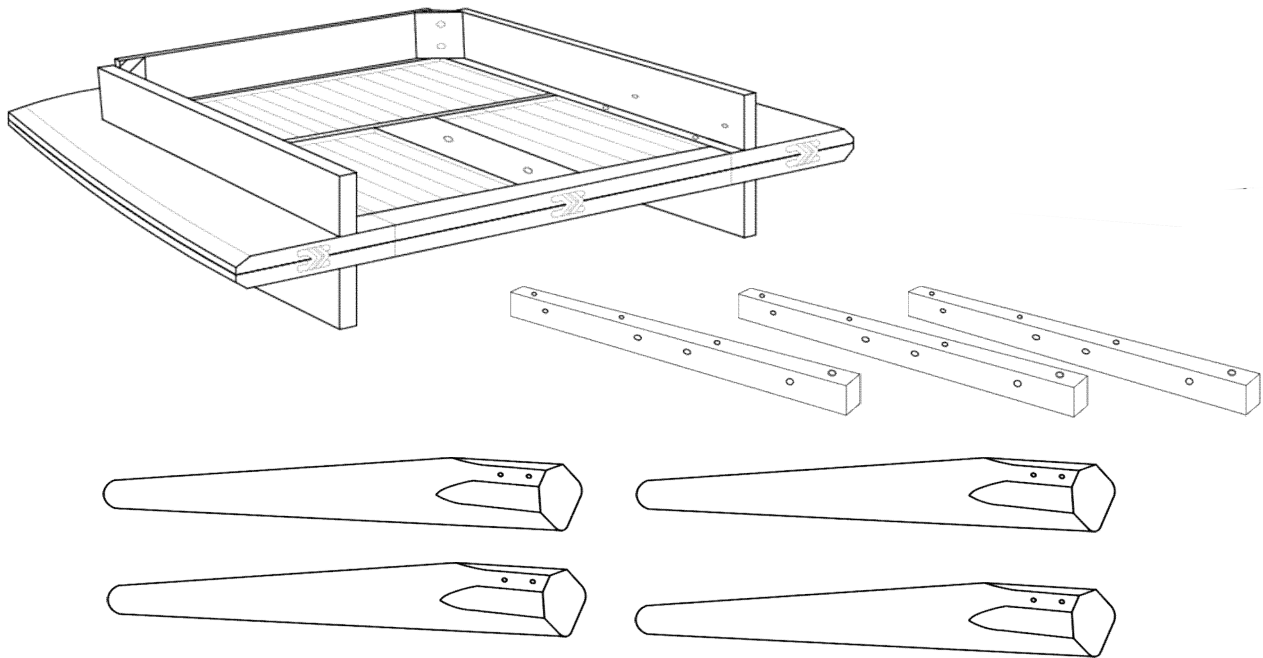
Assembly Steps

Overview



This Table has multiple parts and may require up to 30 minutes to assemble. To give you an overview of the Table parts, the above picture is to help you put the various parts into perspective. Please read through the instructions below to familiarise yourself with the parts and steps before assembly.

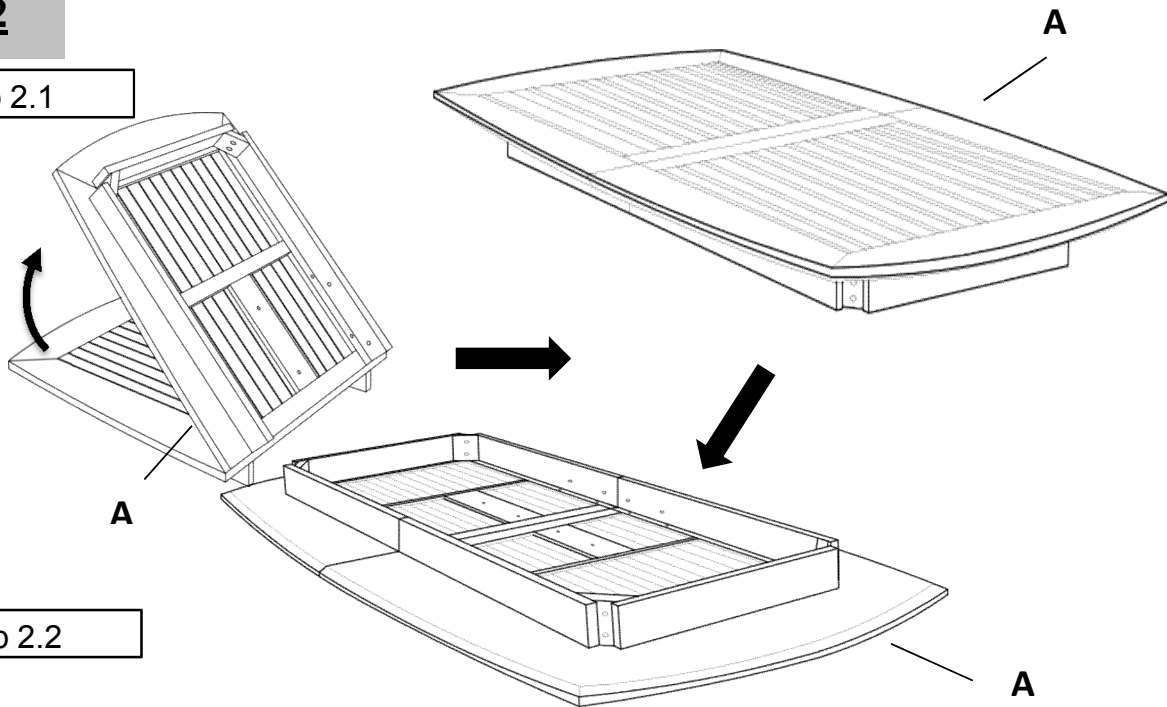
Step 1



Unpack and place all parts on a clean, non-marring surface.

Step 2

Step 2.1



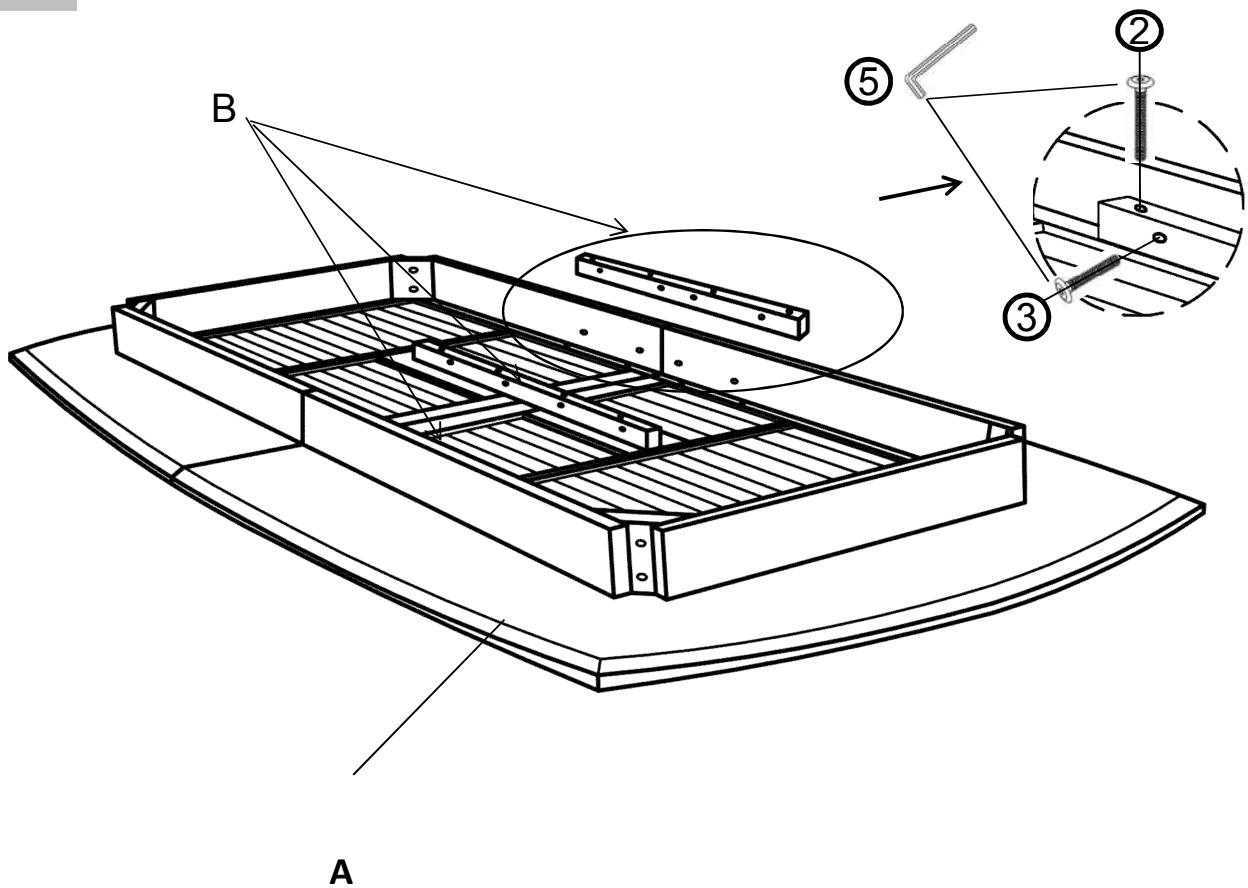
Step 2.2

2.1: With the assistance of an adult partner, unfold the Table Top (A) as shown above

2.2: Then flip the Table Top (A) (bottom-side up) and place on a non-marring surface

Caution: Please do not put your hands between the gap to avoid injury.

Step 3

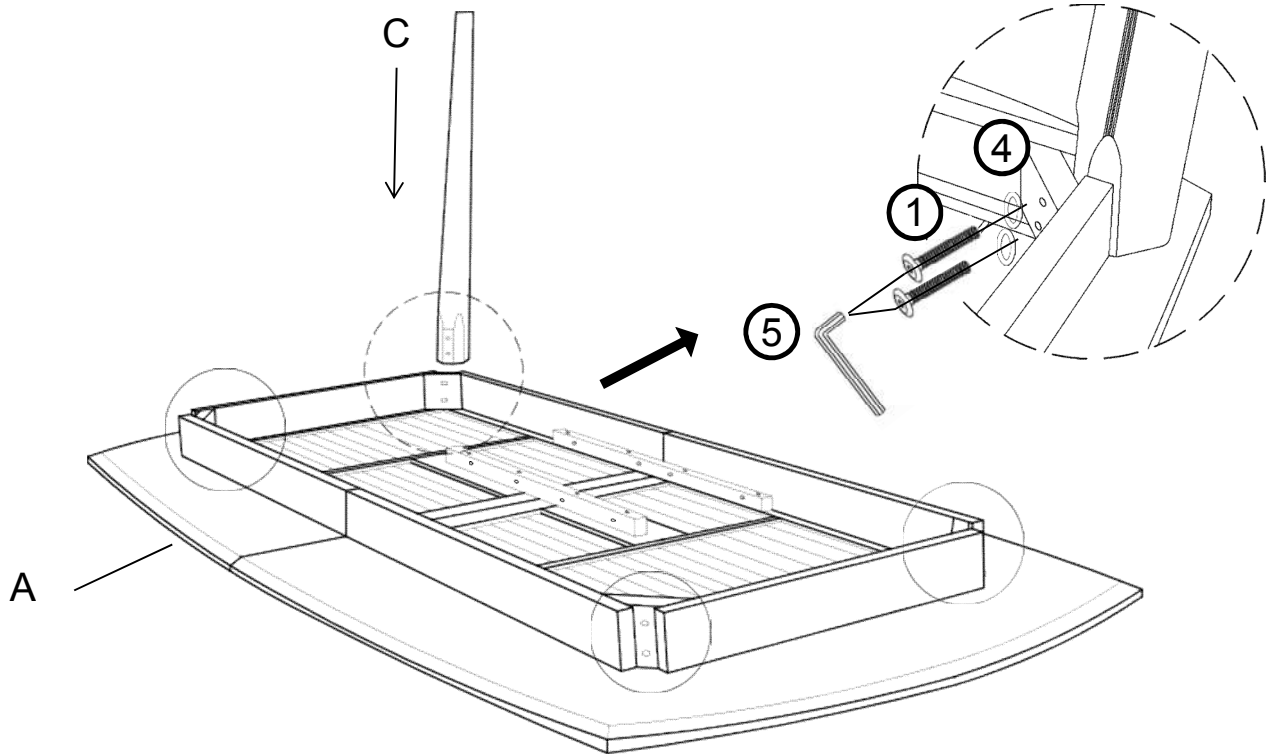


Align the Support Bar (B) to the housings on the Table Top(A) and secure using Bolt (②), Bolt (③) and the Allen Key (⑤).

Repeat the same process with the remaining Support Bars (B)

Only loosely tighten the bolts

Step 4



Attach the Leg (C) to the Table Top (A) using a Bolt (①), a Flat Washer (④) and the Allen Key (⑤)

Repeat the same process with the remaining Legs (C)

Do not fully tighten the Bolts.

Step 5



With assistance from your adult partner, turn the Table upright carefully EXERT pressure floorwards onto the Table with your both hands. This pressure will help the Legs and the Table Top reach alignment at all joints.



















Check for wobbles.

In a sequential manner, gradually tighten all Bolts until evenly secured. Inspect the Table and make sure all parts are adequately connected.

Your Table is ready for use.

This Table can only be used on a flat, level surface.

Care & Maintenance

-   ● Do not put hot items directly on furniture surface
 -   ● Do not clean furniture with harsh cleansers or polish.
 -   ● To obtain the longest lifespan of your outdoor products, minimizing exposure to direct sunlight is recommended.
 -   ● Children should not climb or jump on the furniture.
 -   ● Do not write on furniture without a padded barrier to protect the surface.
 -   ● To obtain the longest lifespan of your outdoor products, avoid extended and lengthy exposure to rain, snow, and direct sunshine. Whenever possible cover the product and /or place under patio or awnings.
 -   ● Not for commercial use. For residential use only .
 -   ● Stains may be removed with mild soap solution and damp cloth.
-
-   ● Dust and pick-up spills using a clean, non-colored, lint-free cloth .