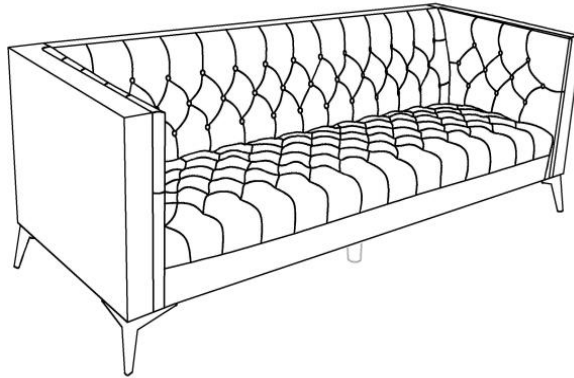


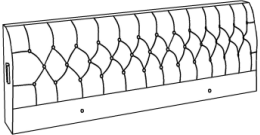
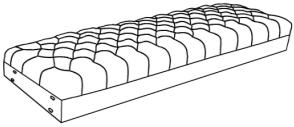
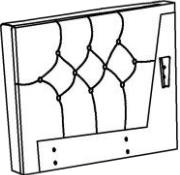
Assembly Instructions


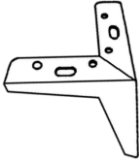

Caution: You must read this before you proceed

Sofa



Parts List

Label	Picture	Description	QTY(pc)
A		Backrest	1
B		Seat Base	1
C		Left Arm	1

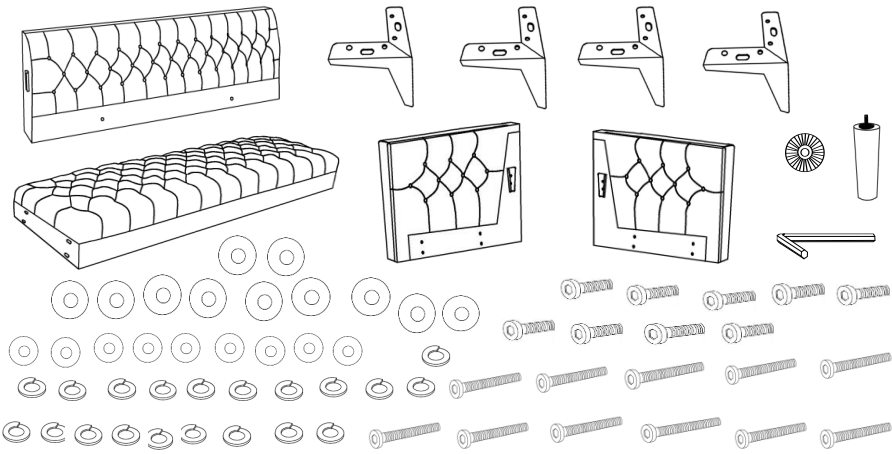
D		Right Arm	1
E		Metal Leg	4
F		Middle Leg with 1 Plastic Gasket	1

Hardware List

Label	Picture	Description	QTY
①		Plastic Gasket	1
②		Allen Key	1
③		Spring Ring	20
④		Flat Big Washer(φ30mm)	11
⑤		Flat Small Washer(φ 22mm)	9
⑥		Bolt(M8*70mm)	11
⑦		Bolt(M8*30mm)	9

Assembly Preparation

Before Beginning Assembly:



- Read instructions, cover to cover-



- Have 2 adults on hand for assembly-



- Do not assemble on flooring or carpet-

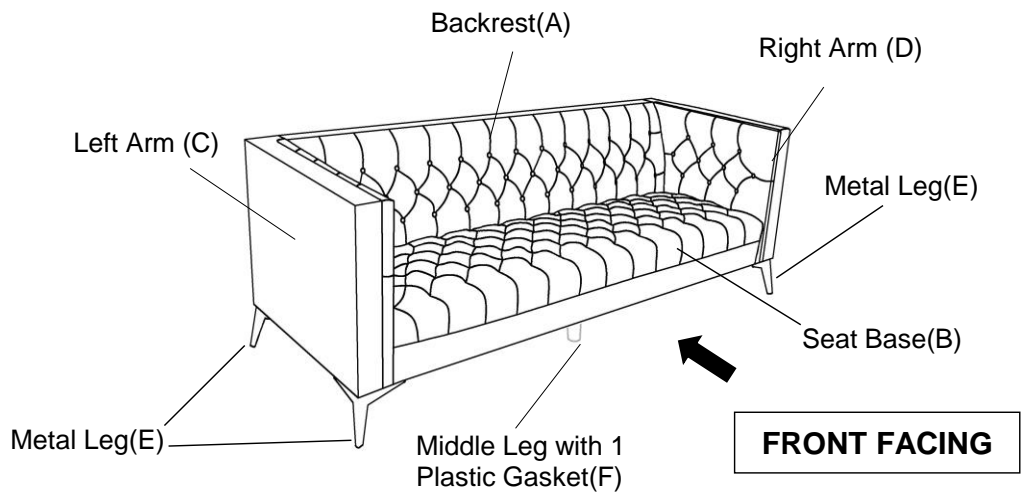


- Assemble on a clean non-marring surface (packing foam)-



- Save all packaging until finished-

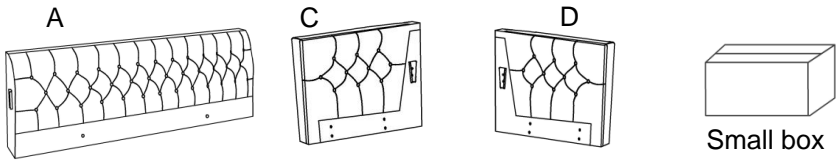
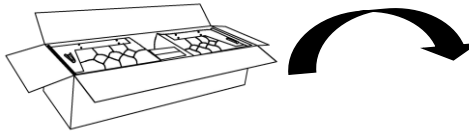
Assembly Steps



This Sofa has multiple parts and may require about 30 minutes to assemble. To give you an overview of the Sofa parts, the above picture is to help you put the various parts into perspective. Please read through the instructions below to familiarise yourself with the parts and steps before assembly.

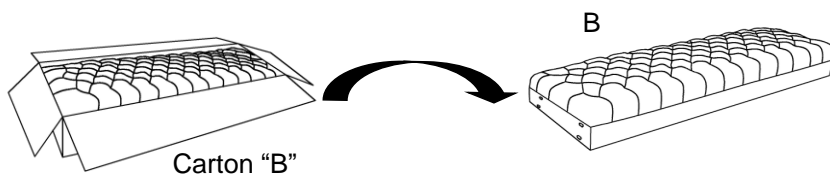
Step 1

Carton "A"



Take the Backrest(A), Left Arm(C),Right Arm(D) and Small Box out from the carton "A" and place them on a clean, non-marring surface.

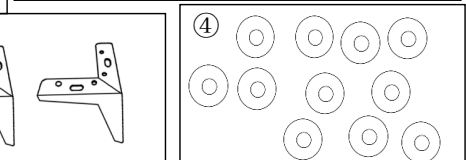
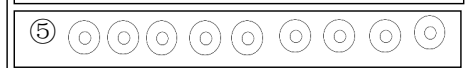
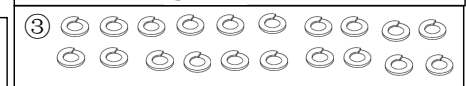
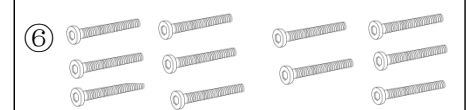
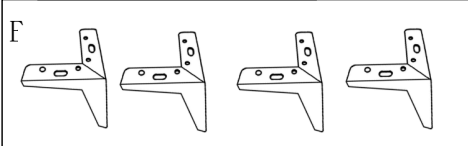
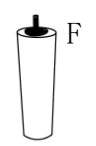
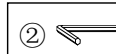
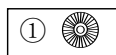
Step 2



Take out the Seat Base(A)from the Carton "A", place it on a clean, non-marring surface.

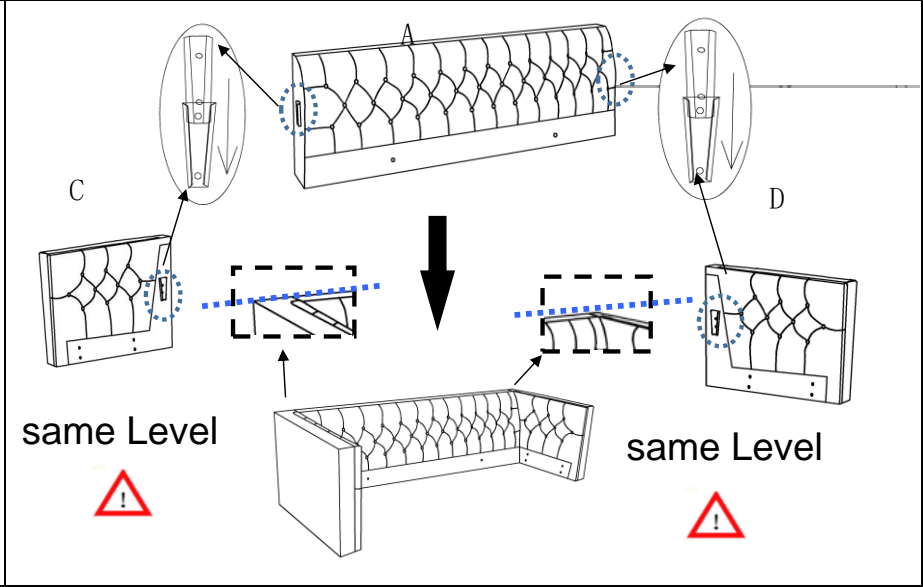
Step 3

Small box



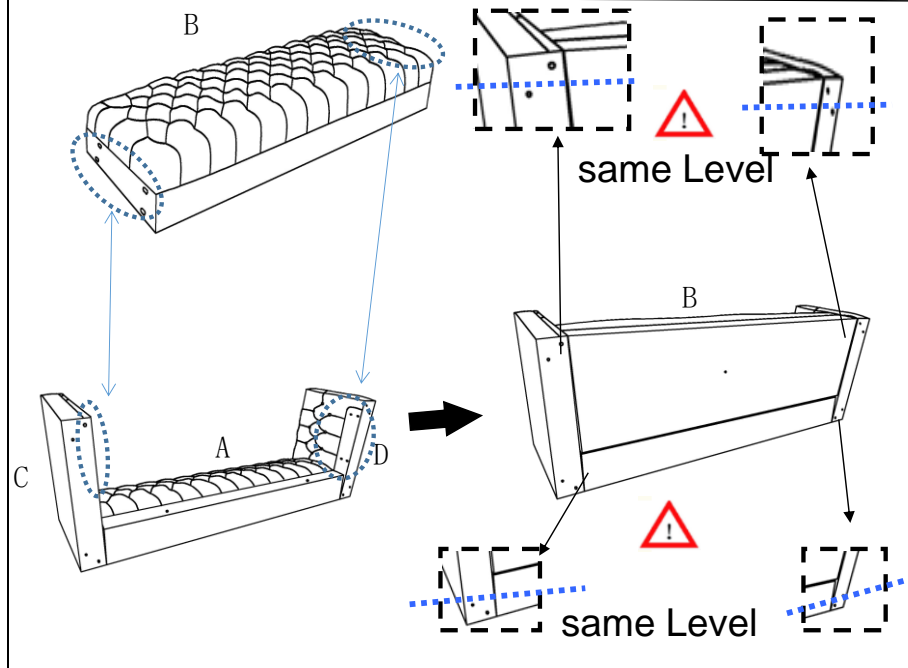
Open the Small Box to take out the Hardwares and Legs(E) and (F).

Step 4



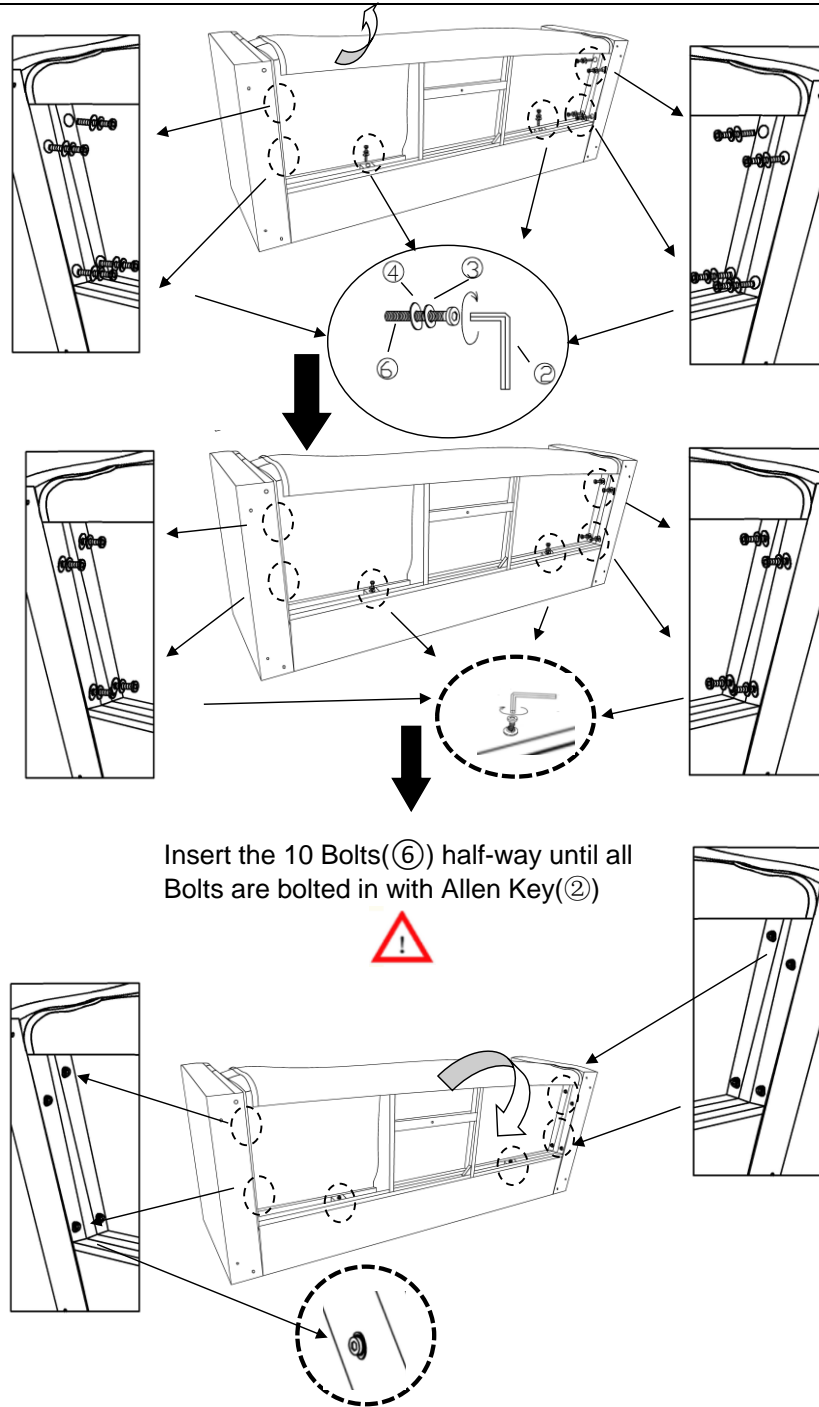
With assistance from your adult partner, align the mounting brackets on the Backrest(A) with those on the Left Arm(C) and Right Arm(D). Then slide the Backrest(A) downwards to make sure it locks into place as pictured. Please squeeze the armrests properly against the backrest to ensure that the inserts can be assembled smoothly.

Step 5



With assistance from your adult partner, align the mounting position on the hind and both sides of Seat Base(B) to the mounting position of the Backrest(A), Left Arm(C) and Right Arm(D) as picture, make sure the bottom of Both Arms, Backrest(A) and Seat Base(B) at the same level.

Step 6

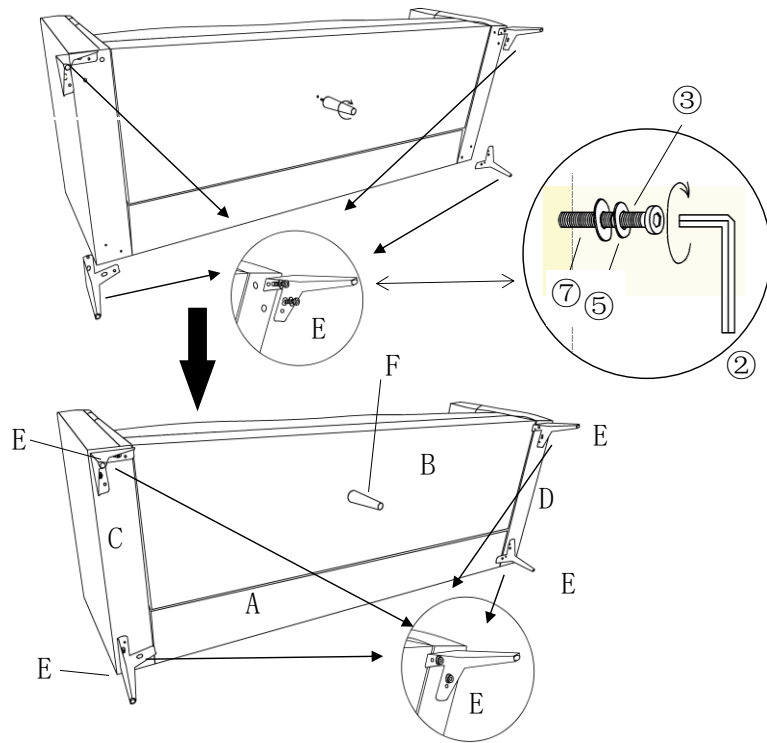


Insert the 10 Bolts(⑥) half-way until all Bolts are bolted in with Allen Key(②)



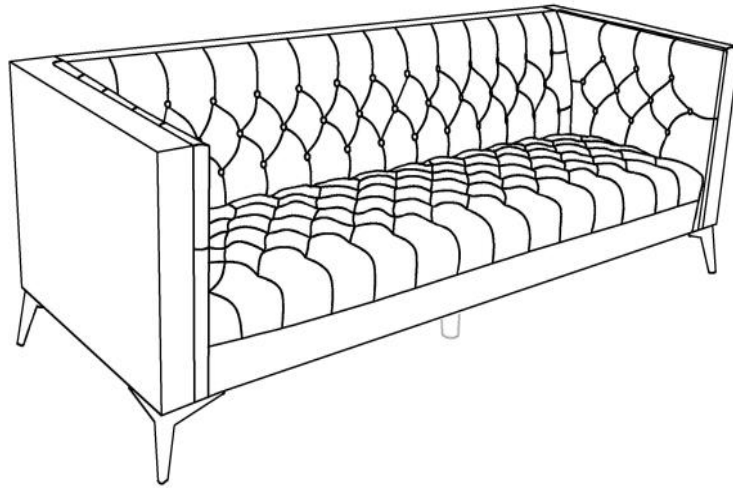
Open the Non-woven cover under Seat Base(B).
Using the Allen Key(②) secure Seat Base(B) to the front-bottom of Backrest(A) Left Arm(C) and Right Arm(D) with Boltss(⑥), Spring Ring(③)and Flat Big Washers(④).
Insert all the Bolts(⑤) half-way starting one by one as pictured.
Then tighten the Bolts(⑤) with the Allen Key(②).
Close the non-woven fabric under the Seat Base(B) with Velcro.

Step 7













Carefully install the Metal Legs(E) at the bottom of Left Arm(C) and Right arm(D) and Middle Leg with 1 Plastic Gasket(F) at the bottom of Seat Base(B).

Step 8



Turn up the Sofa with assistance from your adult partner.
Your Sofa is ready for use.
This Sofa can only be used on a flat, level surface.

Care & Maintenance

-  Do not put hot items directly on furniture surface
 -  Do not clean furniture with harsh cleansers or polish.
 -  Do not place furniture under direct sunlight.
 -  Do not place furniture near heating or cooling vents.
 -  Do not write on furniture without a padded barrier to protect the surface.
 -  Do not place furniture outside . For indoor use only .
 -  Not for commercial use. For residential use only .
 -  Stains may be removed with mild soap solution and damp cloth.
 -  Children should not climb or jump on the furniture.
-
-  Dust and pick-up spills using a clean, non-colored, lint-free cloth .

Questions & Answers about Proposition 65

• What is Proposition 65?

Proposition 65 requires businesses to provide warnings to Californians about significant exposures to chemicals that cause cancer, birth defects or other reproductive harm. These chemicals can be in the products that Californians purchase, in their homes or workplaces, or that are released into the environment. By requiring that this information be provided, Proposition 65 enables Californians to make informed decisions about their exposures to these chemicals.

Proposition 65 also prohibits California businesses from knowingly discharging significant amounts of listed chemicals into sources of drinking water.

Proposition 65 requires California to publish a list of chemicals known to cause cancer, birth defects or other reproductive harm. This list, which must be updated at least once a year, has grown to include approximately 900 chemicals since it was first published in 1987.

• What types of chemicals are on the Proposition 65 list?

The list contains a wide range of naturally occurring and synthetic chemicals that include additives or ingredients in pesticides, common household products, food, drugs, dyes, or solvents. Listed chemicals may also be used in manufacturing and construction, or they may be byproducts of chemical processes, such as motor vehicle exhaust.

• What does a warning mean?

If a warning is placed on a product label or posted or distributed at a workplace, a business, or in rental housing, the business issuing the warning is aware or believes that it is exposing individuals to one or more listed chemicals.

By law, a warning must be given for listed chemicals unless the exposure is low enough to pose no significant risk of cancer or is significantly below levels observed to cause birth defects or other reproductive harm.

• Where can I get more information on Proposition 65?

If you have specific questions on the administration or implementation of Proposition 65, you can contact OEHHA's Proposition 65 program at P65.Questions@oehha.ca.gov, or by phone at (916) 445-6900.