

Assembly Instructions

Caution: You must read this before you proceed






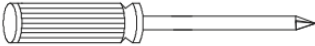
Stool



Part List

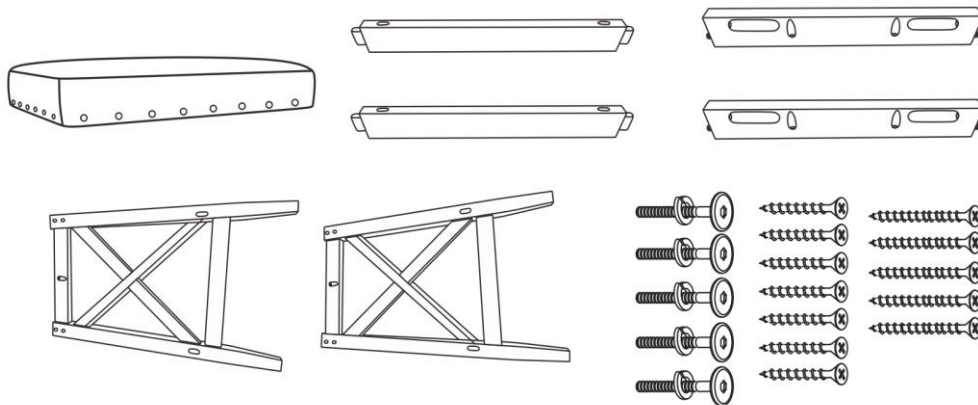
Label	Picture	Description	QTY
A		Stool Seat	1
B		Stool Leg	2
C		Side Rail	2
D		Support	2

Hardware

Label	Picture	Description	QTY
①		Bolt (M6x50mm)	5
②		Screw (M4x32mm)	7
③		Screw (M4x38mm)	5
④		Washer	5
⑤		Allen Key	1
⑥		Screwdriver (Not provided)	1

Assembly Preparation

Before Beginning Assembly:



- Read instructions, cover to cover-



- Have 2 adults on hand for assembly-



- Do not assemble on flooring or carpet-



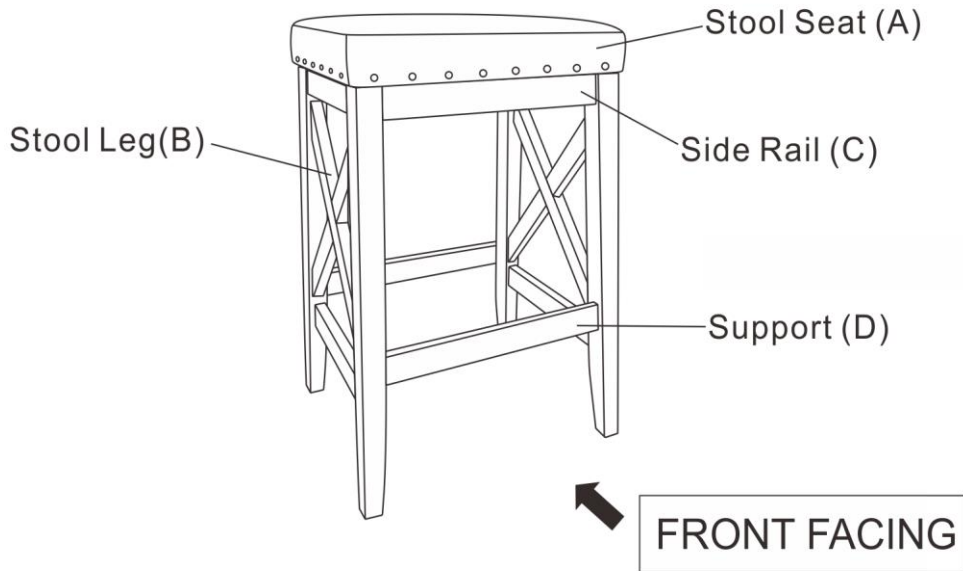
- Assemble on a clean non-marring surface (packing foam)-



- Save all packaging until finished-

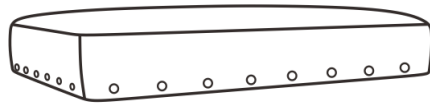
Assembly Steps

Overview

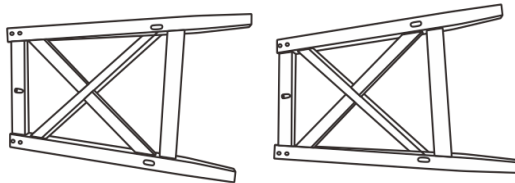


This Stool has multiple parts and may require up to 30 minutes to assemble. To give you an overview of the Stool parts, the above picture is to help you put the various parts into perspective. Please read through the instructions below to familiarise yourself with the parts and steps before assembly.

Step 1



A. Stool Seat



B. Stool Leg



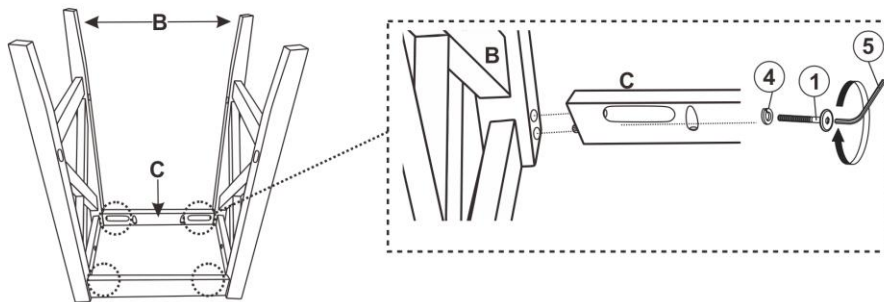
C. Side Rail



D. Support

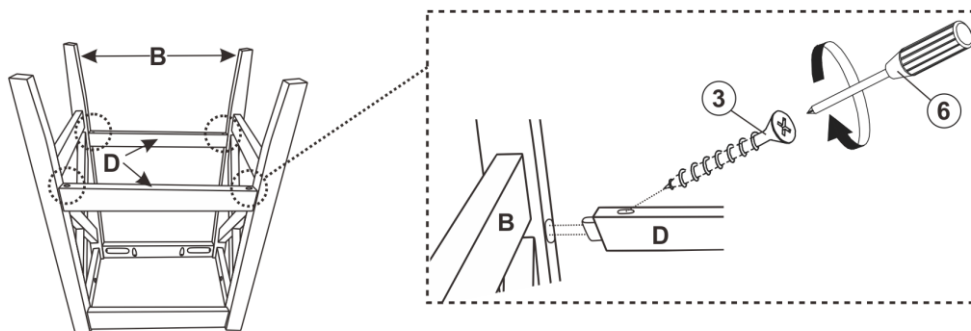
Place the Stool Seat(A), Stool Legs(B), Side Rails(C) and Supports(D) onto a clean, non-marring surface.

Step 2



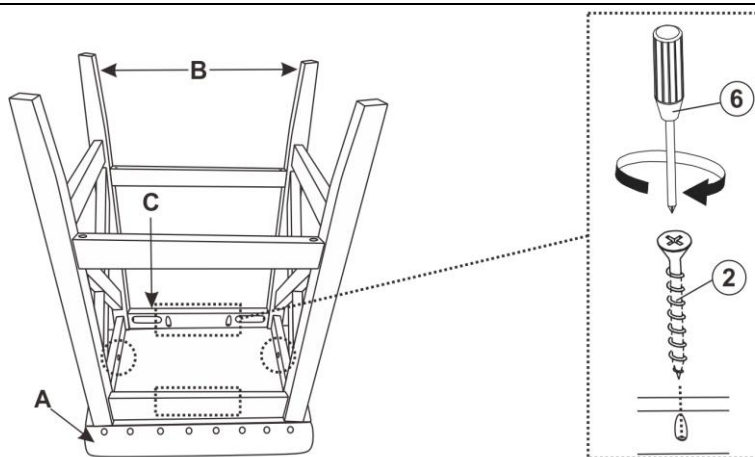
Insert Side Rails(C) into Stool Legs(B) as shown above.
Attach Side Rails(C) to Stool Legs(B) using Bolts(①) Spring Washers(④), with Allen Key(⑤).
Do not fully tighten the Bolts.

Step 3



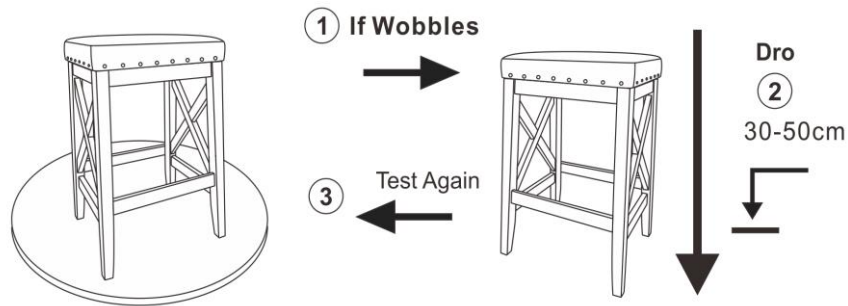
Place Supports(D) into housings between the Stool Legs(B) and attach using Screws(③) with Screwdriver(⑥).
Note: You may need to apply a little pressure to the Stool Leg, pulling outwards, to enable the Supports to be slotted into position.

Step 4



Place the Stool Seat(A) facedown, then attach with Stool Legs(B) and Side Rails(C) using Screws(②) with Screwdrivers(⑥).

Step 5



Place the Stool on a Level Surface to check if it wobbles.

If it wobbles, lift the Stool some 30cm to 50cm high from the ground, keep your feet and toes well away from the drop zone, and drop the Stool freely and vertically with the four legs, hitting the ground at the same time.

This Drop Test will help to ensure that all parts and gaps reach full alignment. Test again for evenness on a Level Surface.

If no wobbles are found, proceed to tighten all the Bolts and Screws.

When tightening the Bolts and Screws, tighten sequentially.

Do not tighten any Bolt or Screw fully and then move on towards the next one, this could cause the frame to warp.

If it still wobbles, loosen the Bolts and execute this same drop test.









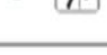

Step 6



Your Stool is ready for use.

This Stool can only be used on a flat, level surface.

Care & Maintenance

-  ● Do not put hot items directly on furniture surface
 -  ● Do not clean furniture with harsh cleansers or polish.
 -  ● Do not place furniture under direct sunlight.
 -  ● Do not place furniture near heating or cooling vents.
 -  ● Do not write on furniture without a padded barrier to protect the surface.
 -  ● Do not place furniture outside . For indoor use only .
 -  ● Not for commercial use. For residential use only .
 -  ● Stains may be removed with mild soap solution and damp cloth.
 -  ● Children should not climb or jump on the furniture.
-
-  ● Dust and pick-up spills using a clean, non-colored, lint-free cloth .