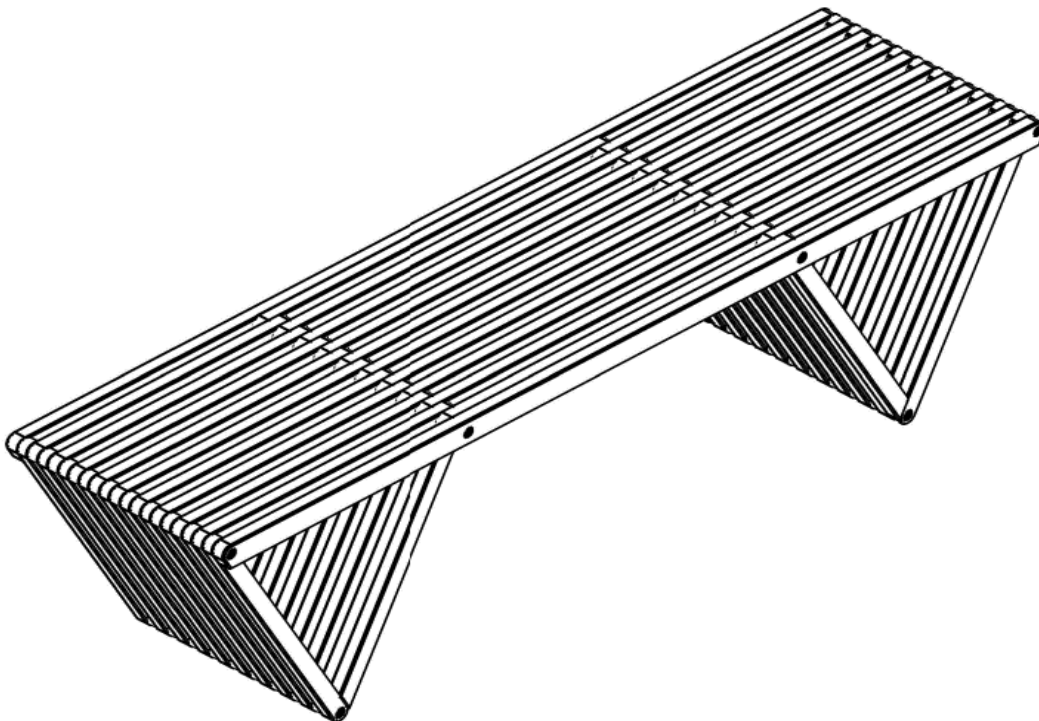


# Assembly Instructions

**Caution: You must read this Assembly Instructions before you proceed**

**Please look into the leg for hardware packs**

## BENCH

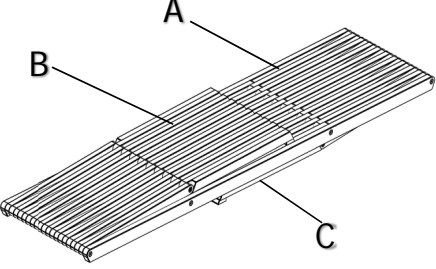


**CAUTION:** This Bench is NOT a TOY.



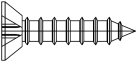

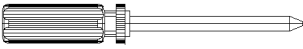
Keep your child / children at bay during the assembly process.

Whenever lifting or moving the Bench and to prevent damage to the Bench, two adults may be needed to execute these actions.

## Parts List

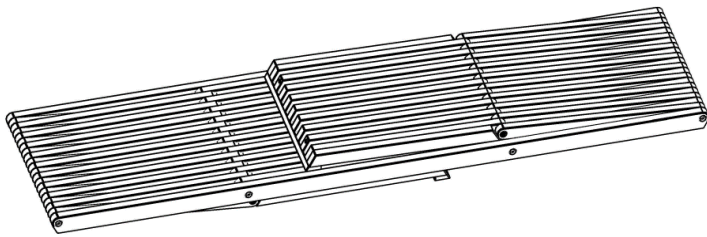
Label	Picture	Description	QTY
A		Seat Panel with Foldable Legs	1
B		Prefixed First Leg Panel	1
C		Prefixed Second Leg Panel	1



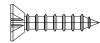

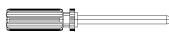
## Hardware

Label	Picture	Description	QTY
①		Screw (M6*45mm)	5
②		Metal L- Bracket (2x17x35/35 mm)	2
③		Screw (M4*20mm)	5
④		Allen Wrench	2
⑤		Screwdriver	Not provided

## Assembly Preparation

Before Beginning Assembly:



	X 5
	X 2
	X 5
	X 2
	X 1



- Read instructions, cover to cover-



- Have 2 adults on hand for assembly-



- Do not assemble on flooring or carpet-



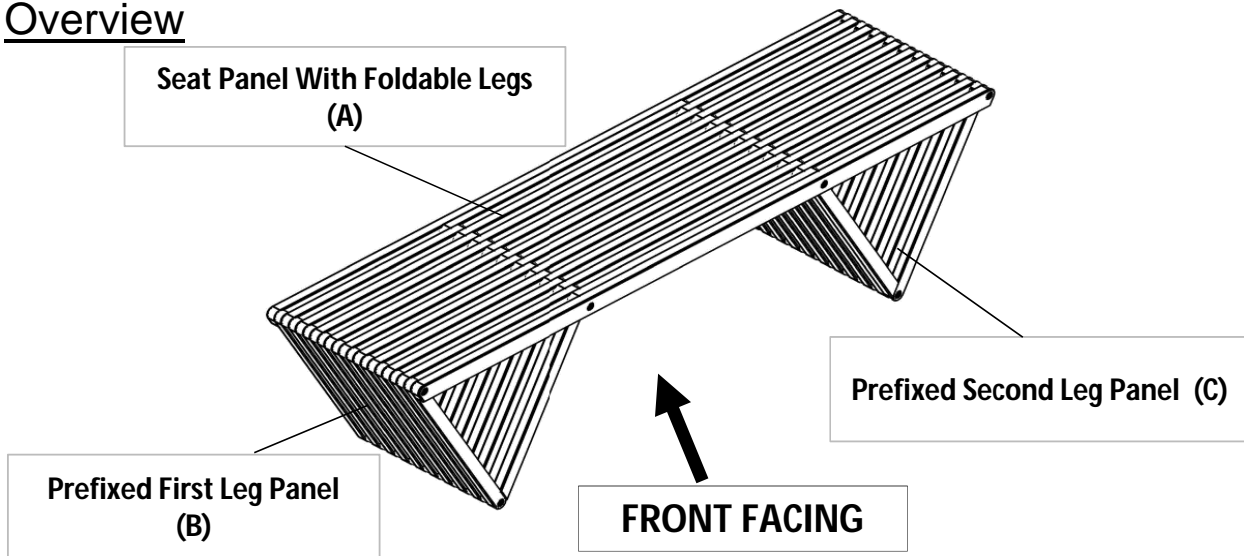
- Assemble on a clean non-marring surface (packing foam)-



- Save all packaging until finished-

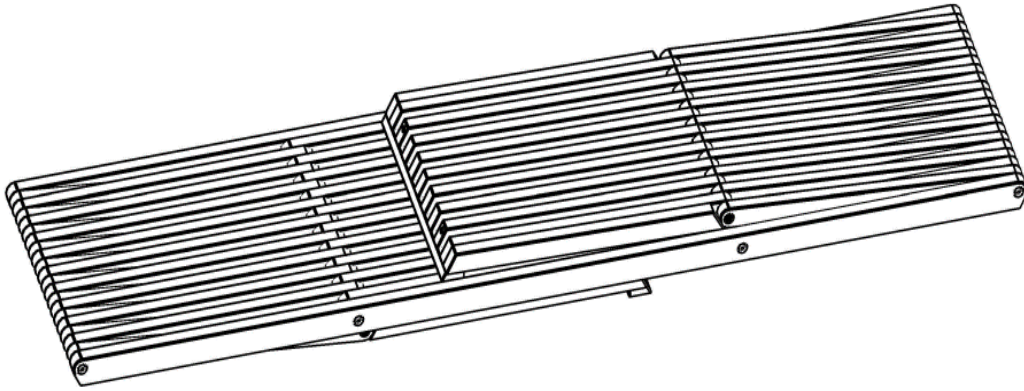
## Assembly Steps

### Overview



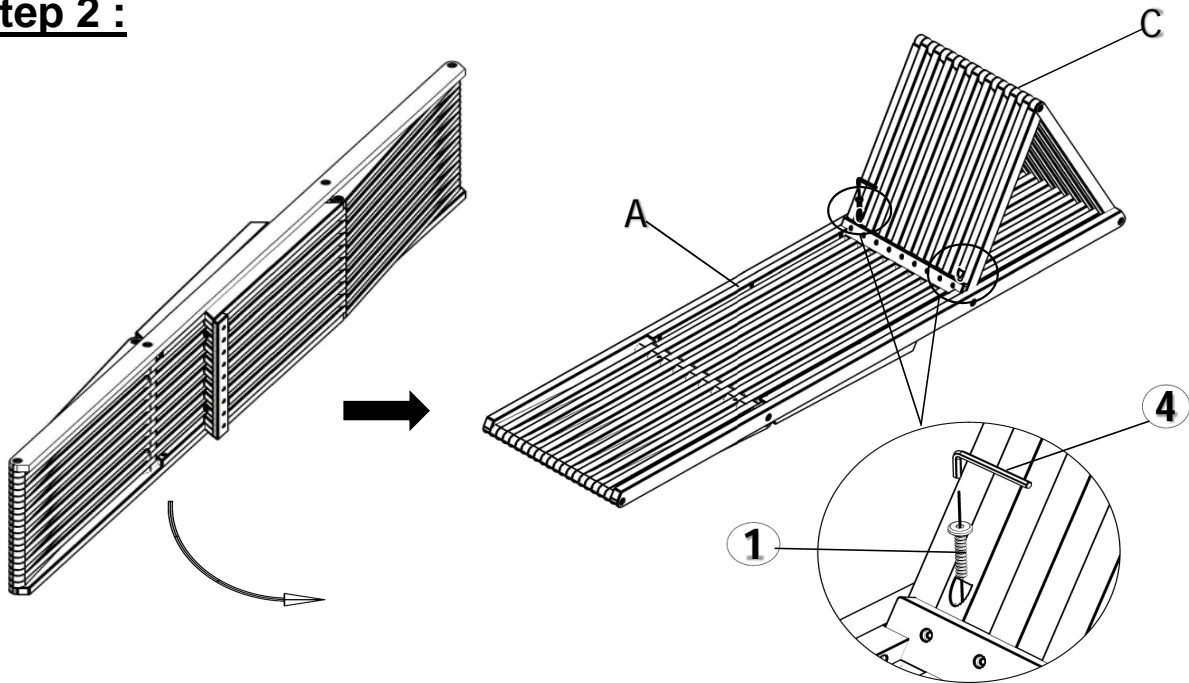
This Bench has multiple parts and may require up to 30 minutes to assemble. To give you an overview of the Bench, the above picture is to help you put the various parts into perspective. Please read through the instructions below to familiarise yourself with the parts and steps before assembly.

**Step 1 :**



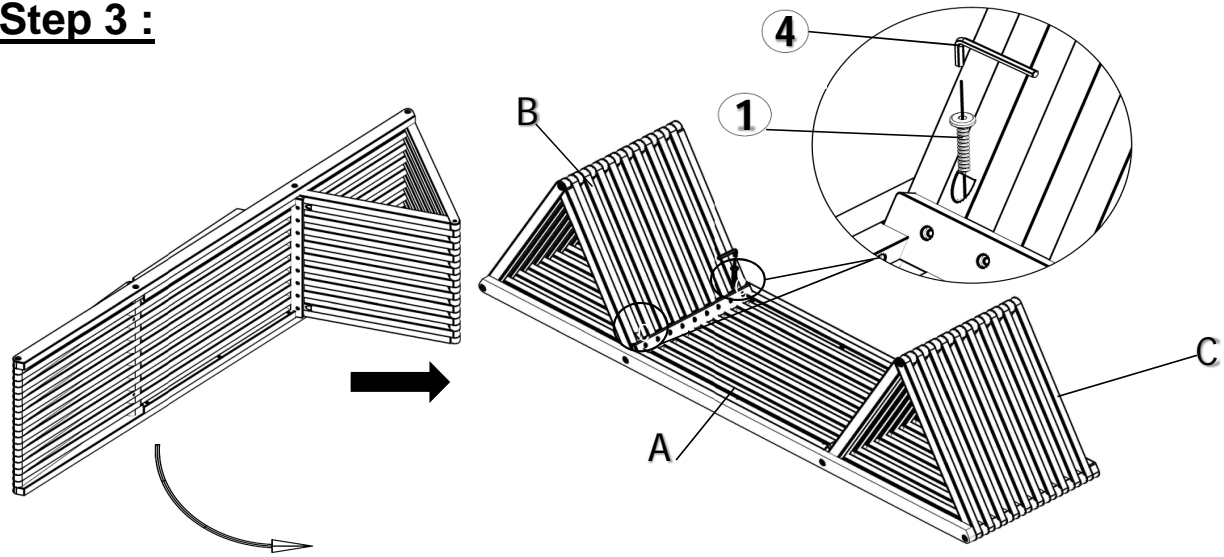
Unplace and place all parts on a clean, non-marring surface.

**Step 2 :**



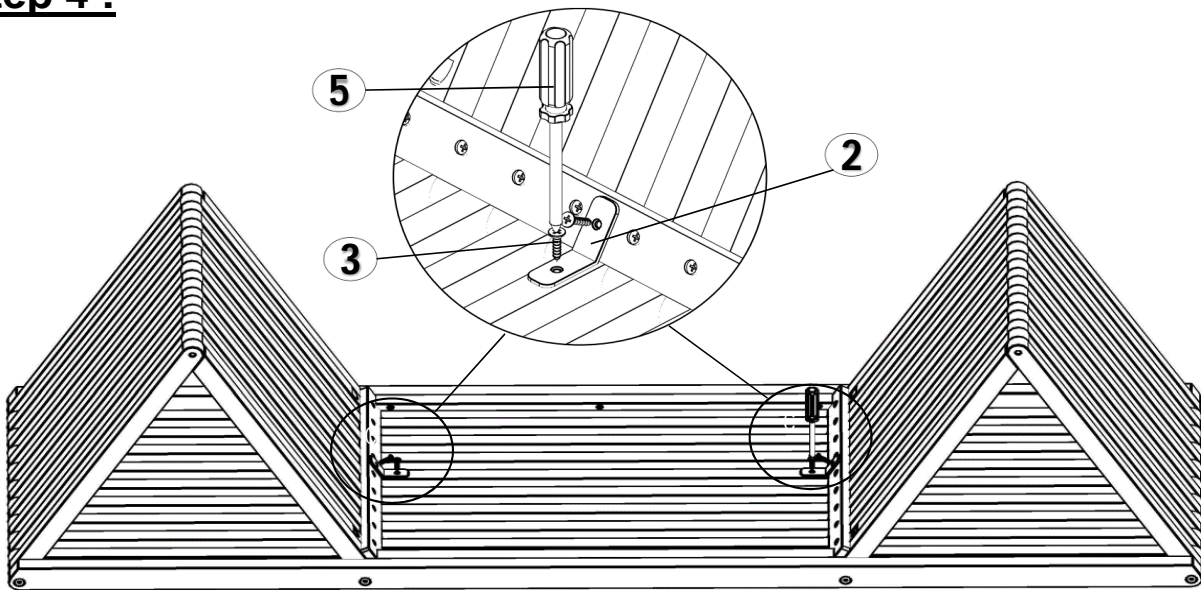
Fold out the Prefixed Second Leg Panel(C) as pictured above.  
Attach Prefixed Second Leg Panel(C) to Seat Panel with Foldable Legs(A) using Screw(①) with Allen Wrench(④).  
**Do not fully tighten the Screw.**

### **Step 3 :**



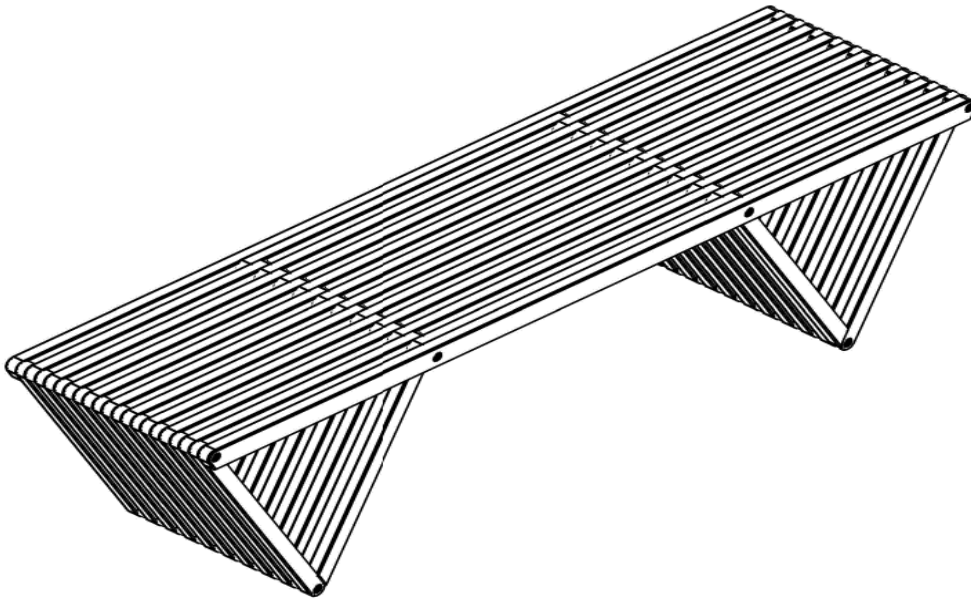
Fold out the Prefixed First Leg Panel(B) as pictured above.  
Attach Prefixed First Leg Panel(B) to Seat Panel with Foldable Legs(A) using Screw(1) with Allen Wrench(4).  
**Do not fully tighten the Screw.**

### **Step 4 :**



Secure the Prefixed First Leg Panel(B) & Prefixed Second Leg Panel ( C) to Seat Panel with Foldable Legs(A) using Metal L- Bracket (2), Screw (3) with Screwdriver (5) as shown in above picture.  
**Do not fully tighten the Screw.**

## **Step 5 :**



Then carefully sit onto the Bench.

This pressure will help the Bench reach full alignment at all joints.










In a sequential manner, gradually tighten all Screw until evenly secured.

Inspect the Bench and make sure all parts are adequately connected.

Your Bench is ready for use.

**This Bench can only be used on a flat, level surface.**

## **Care & Maintenance**

- ⊗  ● Do not put hot items directly on furniture surface.
- ⊗  ● Do not clean furniture with harsh cleansers or polish.
- ✓  ● To obtain the longest lifespan of your outdoor products, minimizing exposure to direct sunlight is recommended.
- ⊗  ● Children should not climb or jump on the furniture.
- ⊗  ● Do not write on furniture without a padded barrier to protect the surface.
- ✓  ● To obtain the longest lifespan of your outdoor products, avoid extended and lengthy exposure to rain, snow, and direct sunshine. Whenever possible cover the product and /or place under patio or awnings.
- ⊗  ● Not for commercial use. For residential use only.
- ⊗  ● Stains may be removed with mild soap solution and damp cloth.
- ✓  ● Dust and pick-up spills using a clean, non-colored, lint-free cloth .