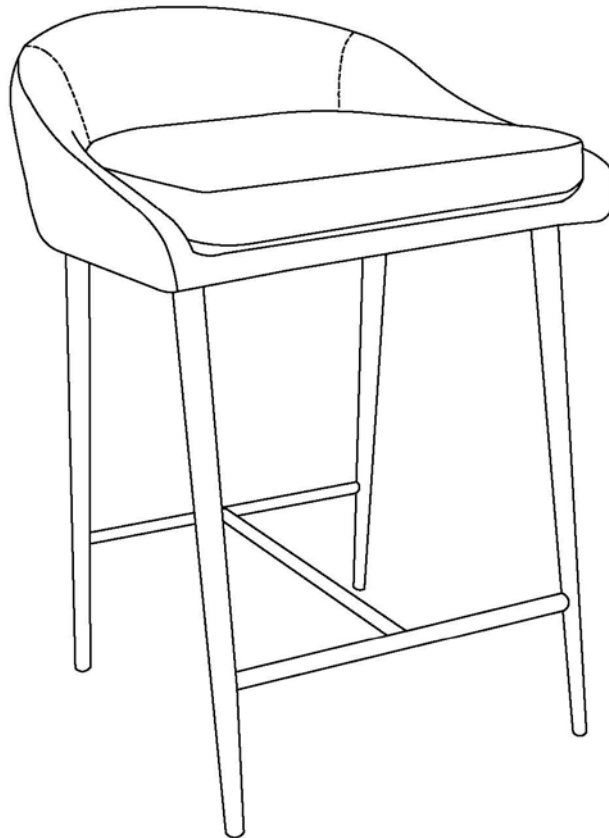


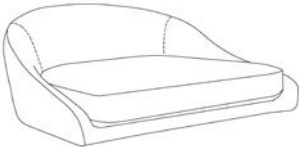
# Assembly Instructions

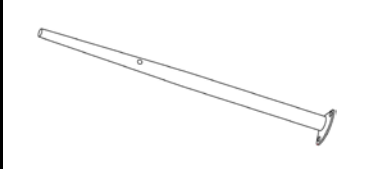
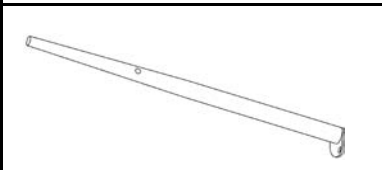
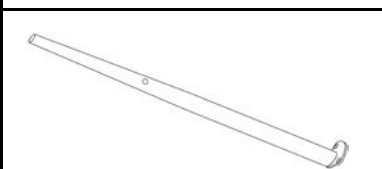
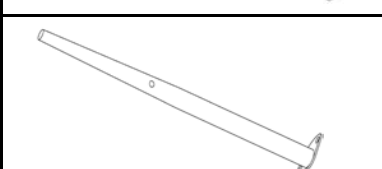
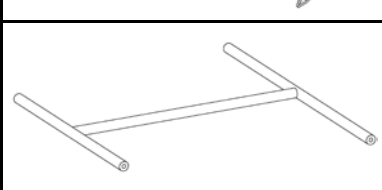
**Caution: You must read this before you proceed**

## Counter Stool


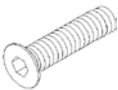





### Part List

Label	Picture	Description	QTY
A		Cushion	1

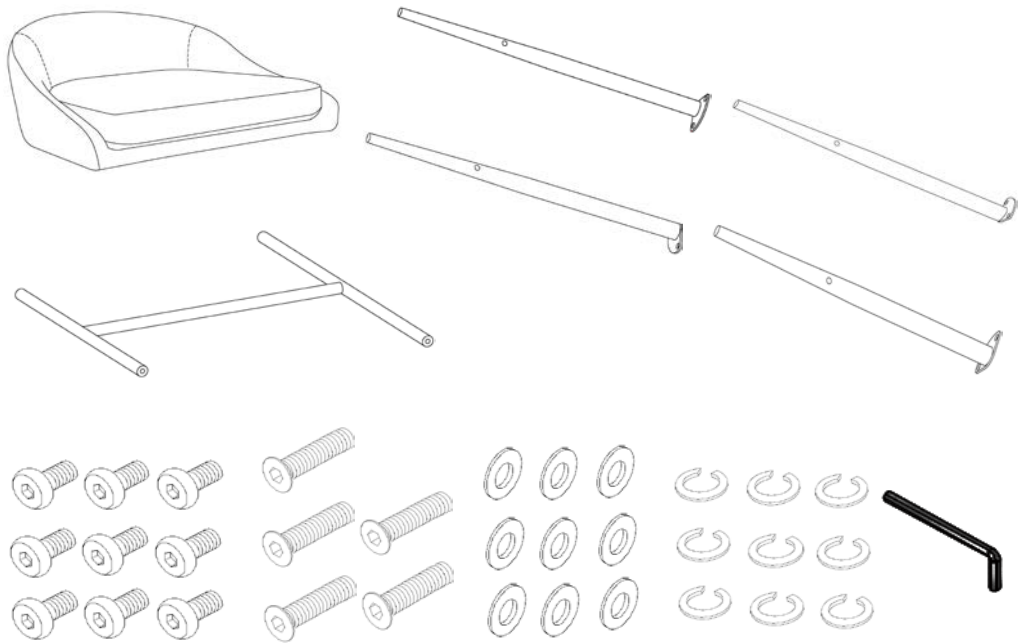
B		Leg 1 (with Pre-installed Levelers)	1
C		Leg 2 (with Pre-installed Levelers)	1
D		Leg 3	1
E		Leg 4	1
F		Connecting Tube	1

## Hardware

Label	Picture	Description	QTY
①		Bolt (M6*16mm)	9
②		Bolt (M6*38mm)	5
③		Washer	9
④		Spring Washer	9
⑤		Allen Key	1

## Assembly Preparation

**Before  
Beginning  
Assembly:**



- Read instructions, cover to cover-



- Have 2 adults on hand for assembly-



- Do not assemble on flooring or carpet-



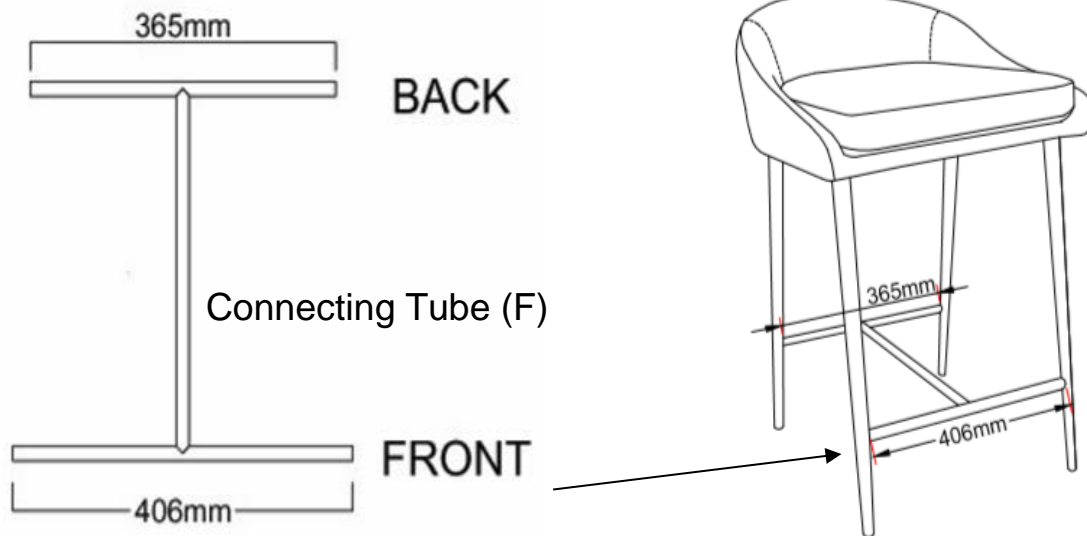
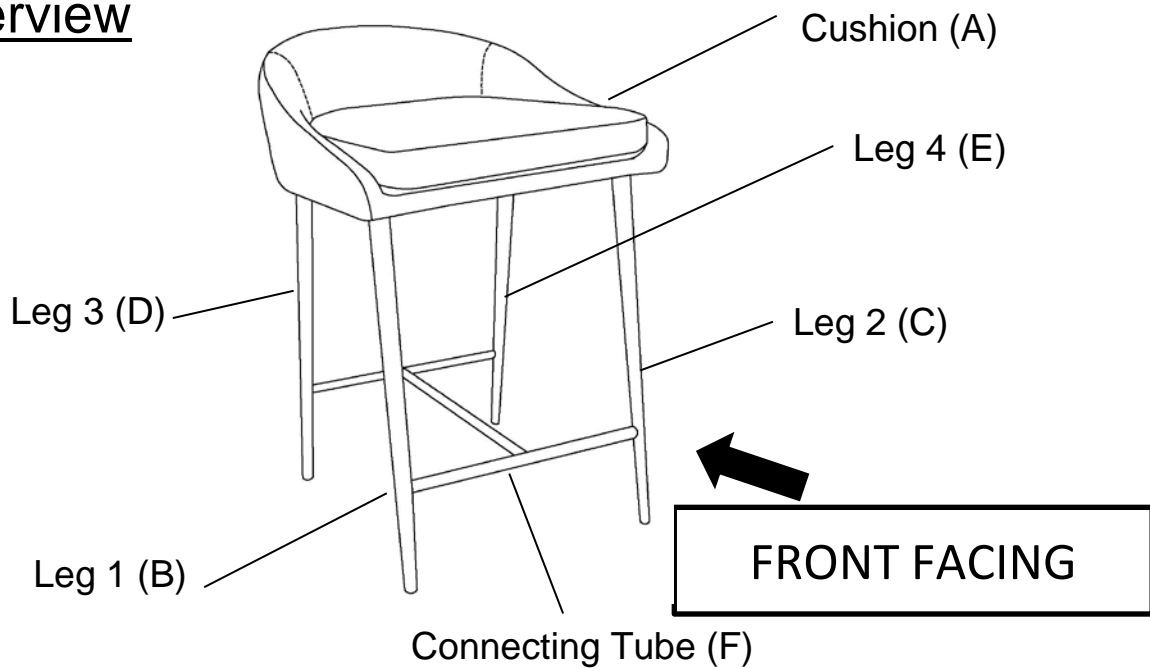
- Assemble on a clean non-marring surface (packing foam)-



- Save all packaging until finished-

# Assembly Steps

## Overview

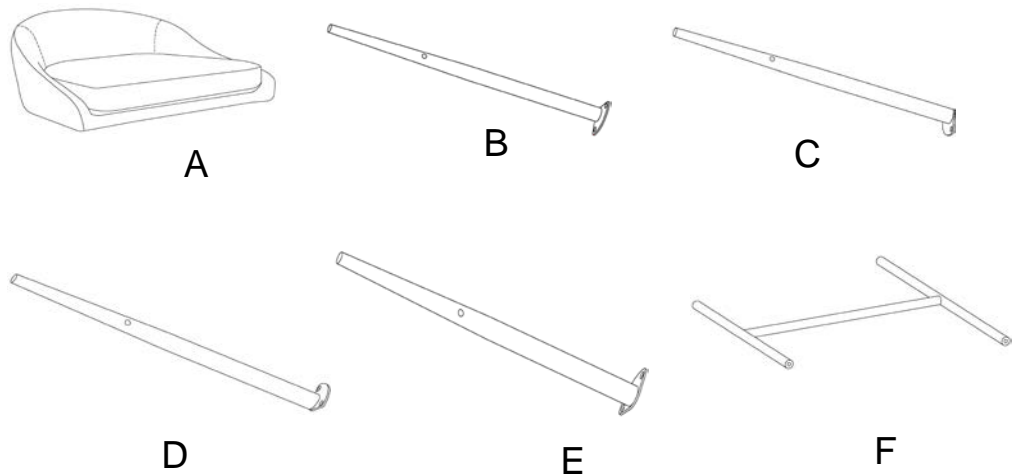


### Attention:

**FRONT of Connecting Tube(F) means that the assembly should be directed towards the front of the Counter Stool.**

This Counter Stool has multiple parts and may require up to 30 minutes to assemble. To give you an overview of the Stool, the above picture is to help you put the various parts into perspective. Please read through the instructions below to familiarise yourself with the parts and steps before assembly.

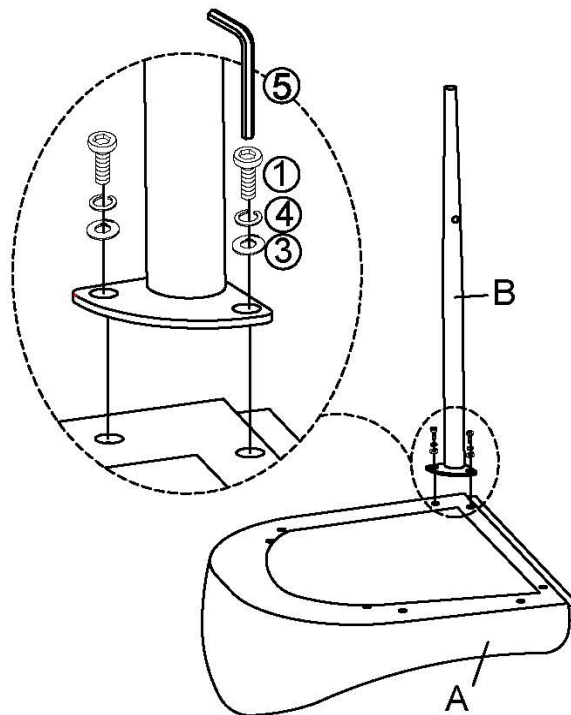
## Step 1



Place the Cushion(A), Leg 1(B), Leg 2(C), Leg 3(D), Leg 4(E) and Connecting Tube(F) onto a clean, non-marring surface.

## Step 2

50%

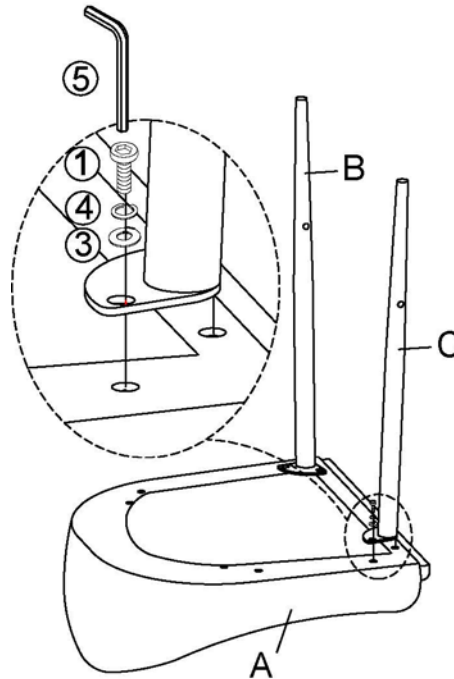


Align Leg 1(B) to Cushion(A) as shown above.  
Attach Leg 1(B) to Cushion(A) using Bolts(①), Spring Washers(④), and Washers(③) with Allen Key(⑤) as shown above.

**Note: At this stage, do not fully tighten the Bolts, just tighten by 50%. Please have an adult partner assist with this process.**

Step 3

50%

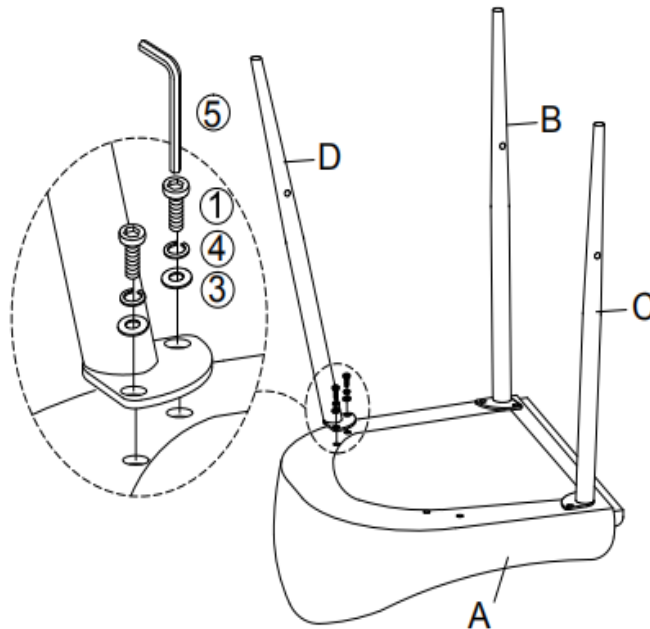


Attach Leg 2(C) to Cushion(A) using Bolts(①), Spring Washers(④), and Washers(③) with Allen Key(⑤) as shown above.

**Note: At this stage, do not fully tighten the Bolts, just tighten by 50%. Please have an adult partner assist with this process.**

Step 4

50%

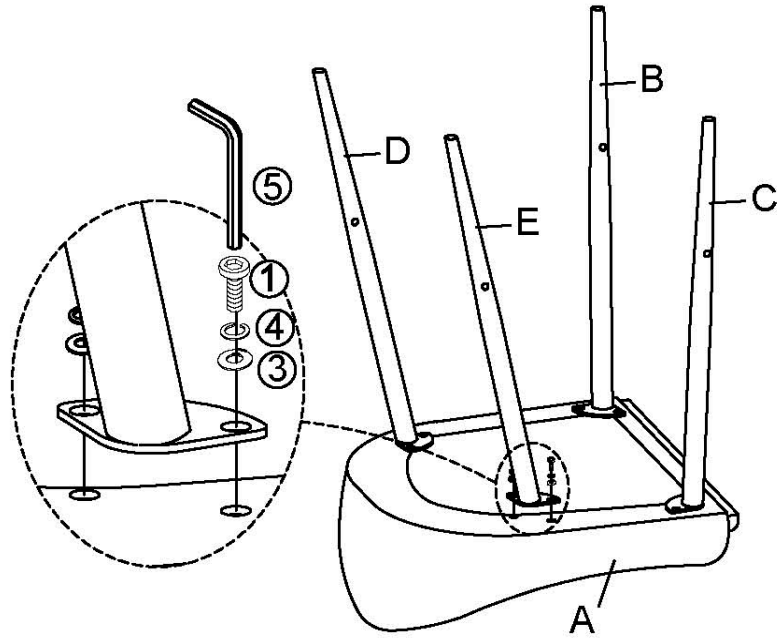


Attach Leg 3(D) to Cushion(A) using Bolts(①), Spring Washers(④), and Washers(③) with Allen Key(⑤) as shown above.

**Note: At this stage, do not fully tighten the Bolts, just tighten by 50%. Please have an adult partner assist with this process.**

## Step 5

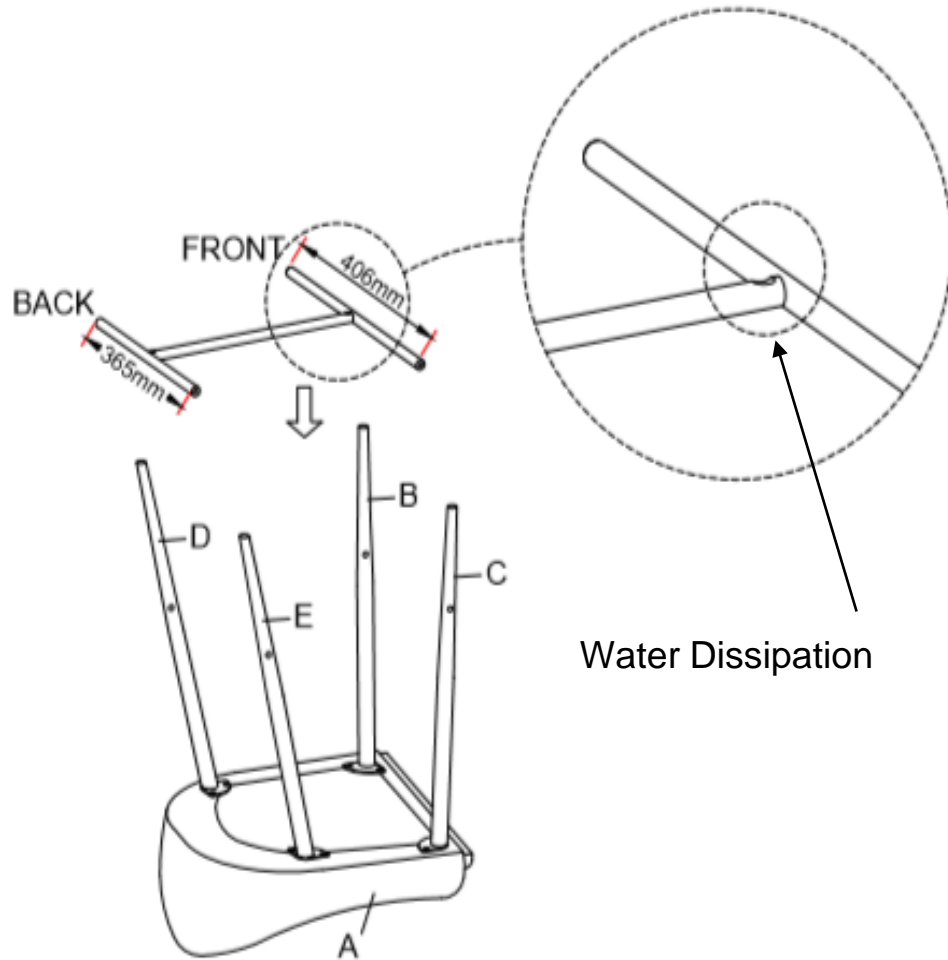
50%



Attach Leg 4(E) to Cushion(A) using Bolts(①), Spring Washers(④), and Washers(③) with Allen Key(⑤) as shown above.

**Note: At this stage, do not fully tighten the Bolts, just tighten by 50%. Please have an adult partner assist with this process.**

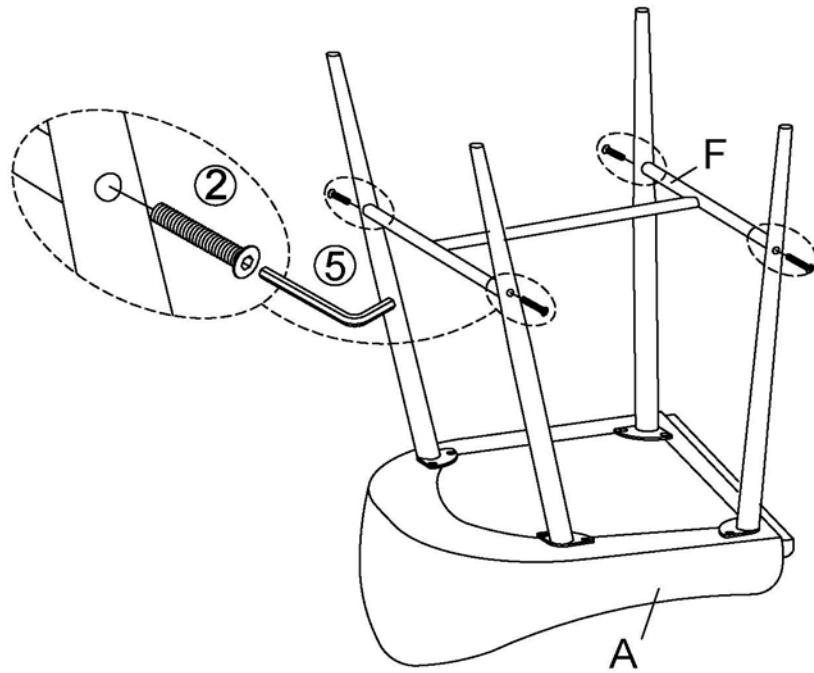
## Step 6



Align Connecting Tube(F) to Leg 1(B), Leg 2(C), Leg 3(D) and Leg 4(E).  
**Note: The Connecting Tube(F) has a water dissipation hole, it must facing the ground when assembled as indicated above.**



## Step 7

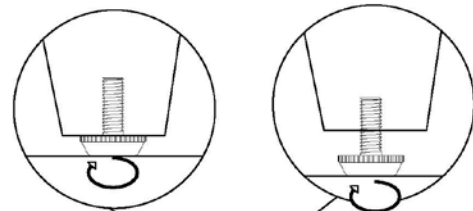


Attach Connecting Tube(F) to Leg 1(B), Leg 2(C), Leg 3(D) and Leg 4(E) using Bolts(2) with Allen Key(5) as shown above.

**Tighten all Bolts at all joints fully in a sequential manner.**

**You should have your adult partner assist with this process.**

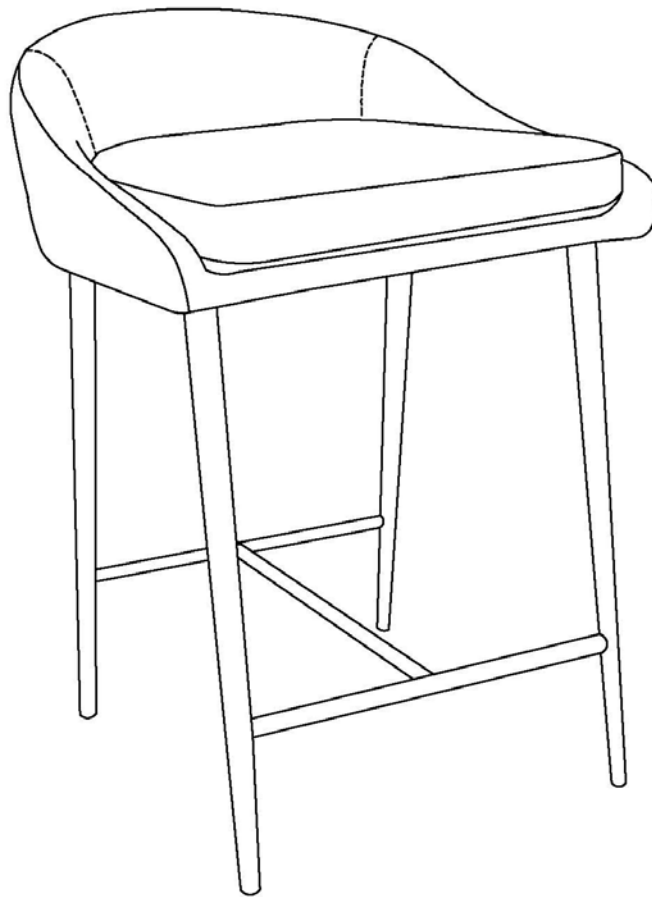
## Step 8



Adjust Pre-installed Levelers  
height to achieve balance

Adjust the Pre-installed Levelers on the bottom of Leg 1(B), and Leg 2(C) until the Stool is level with the ground.

## Step 9



Inspect and make sure all parts are connected and fully secured into position.

Your Counter Stool is ready for use.

**This Counter Stool can only be used on a flat, level surface.**

## Care & Maintenance



• Do not put hot items directly on furniture surface.



• Do not clean furniture with harsh cleansers or polish.



• Do not place furniture under direct sunlight.



• Do not place furniture near heating or cooling vents.



• Do not write on furniture without a padded barrier to protect the surface.



• Do not place furniture outside. For indoor use only.



• Not for commercial use. For residential use only.



• Stains may be removed with mild soap solution and damp cloth.



• Dust and pick-up spills using a clean, non-colored, lint-free cloth.