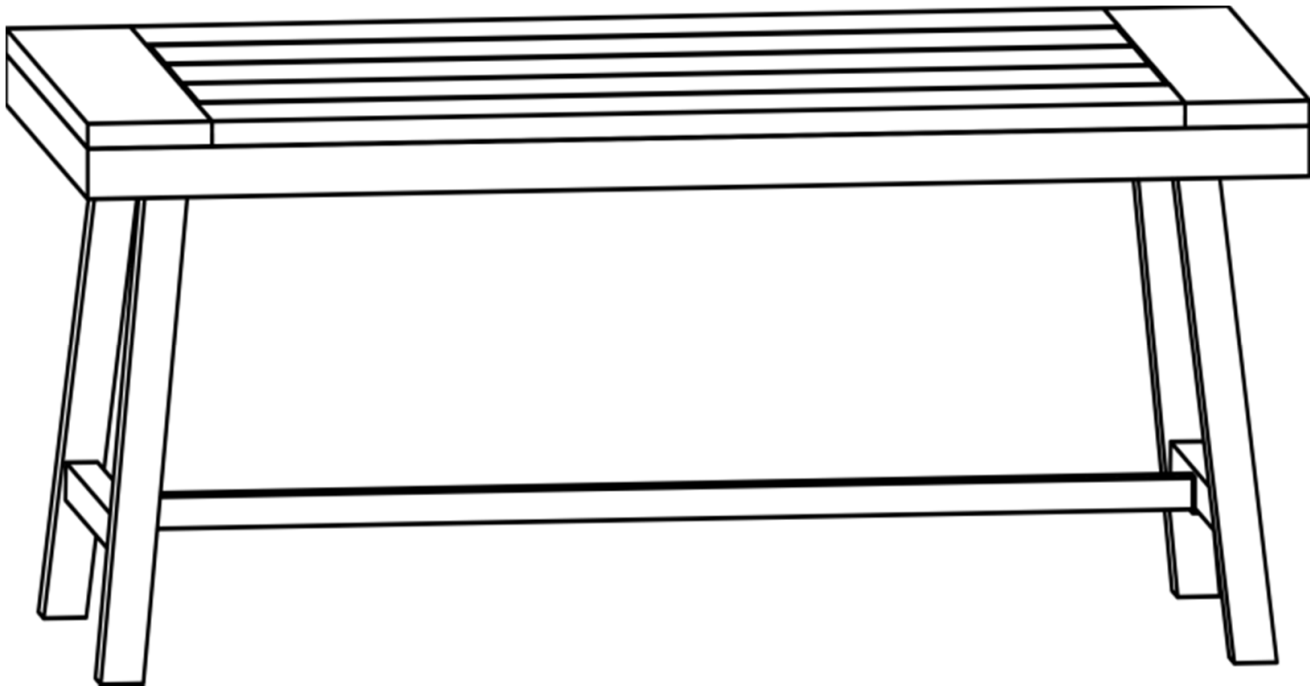


Assembly Instructions

TABLE



CAUTION : You must read this before you proceed

Please look in the Table Top for hardware packs

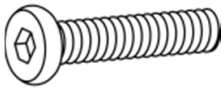




CAUTION: This Table is NOT a TOY
Keep your child/ children at bay during the assembly process.
For moving the Table and to prevent damage to the Table, two adults are needed to execute this action.

Parts List

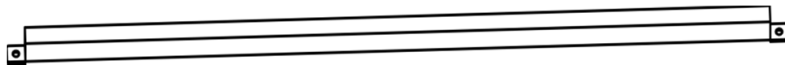
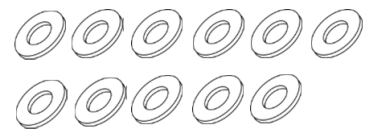
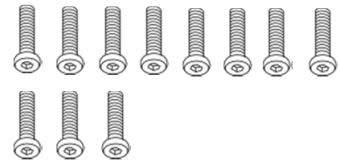
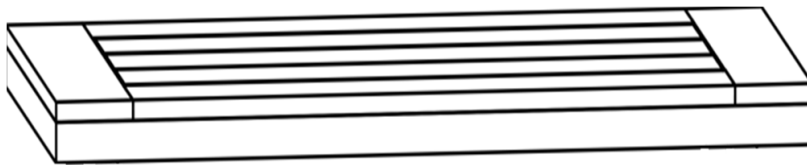
Label	Picture	Description	QTY
A		Table Top (with folding legs)	1
B		Support Bar	1

Hardware

Label	Picture	Description	QTY
①		Bolt (M8x20mm)	11
②		Washer (M8.5x20x2mm)	11
③		Allen Wrench	1

Assembly Preparation

Before Beginning Assembly:



- Read instructions, cover to cover-



- Have 2 adults on hand for assembly-



- Do not assemble on flooring or carpet-

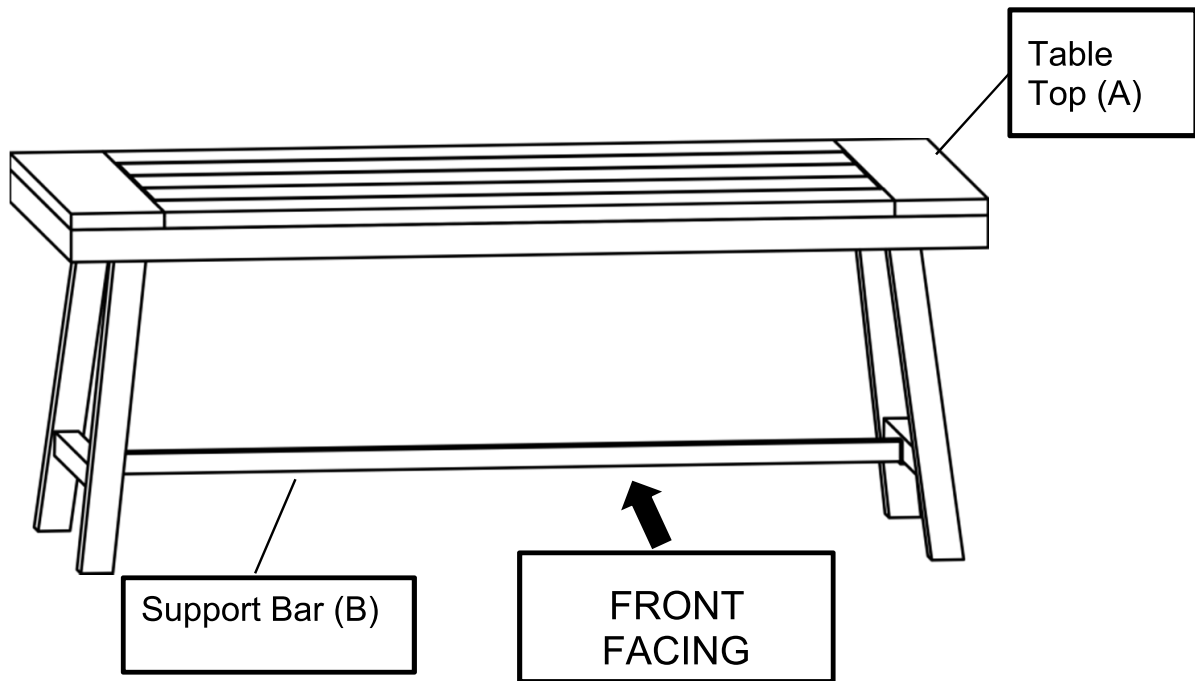


- Assemble on a clean non-marring surface (packing foam)-



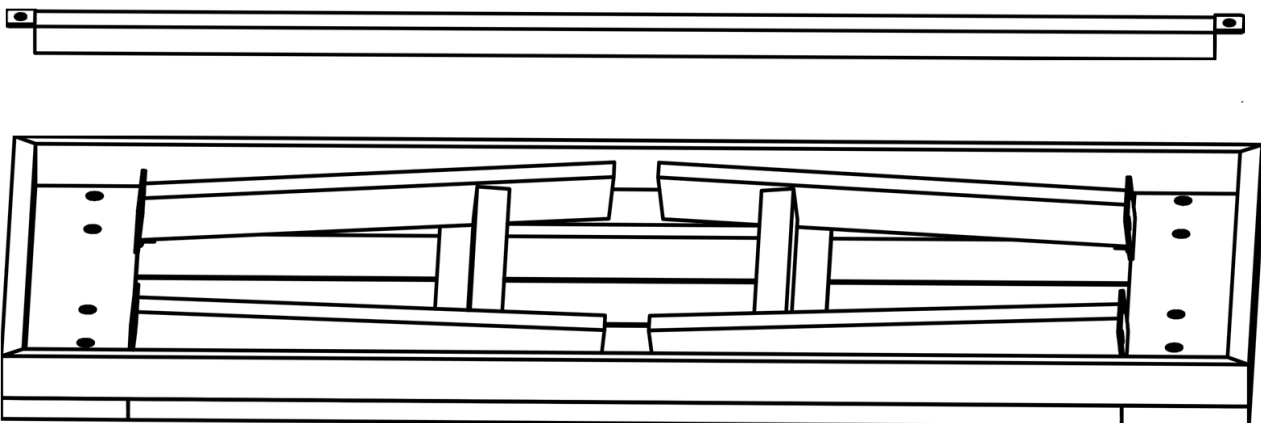
- Save all packaging until finished-

Assembly Steps



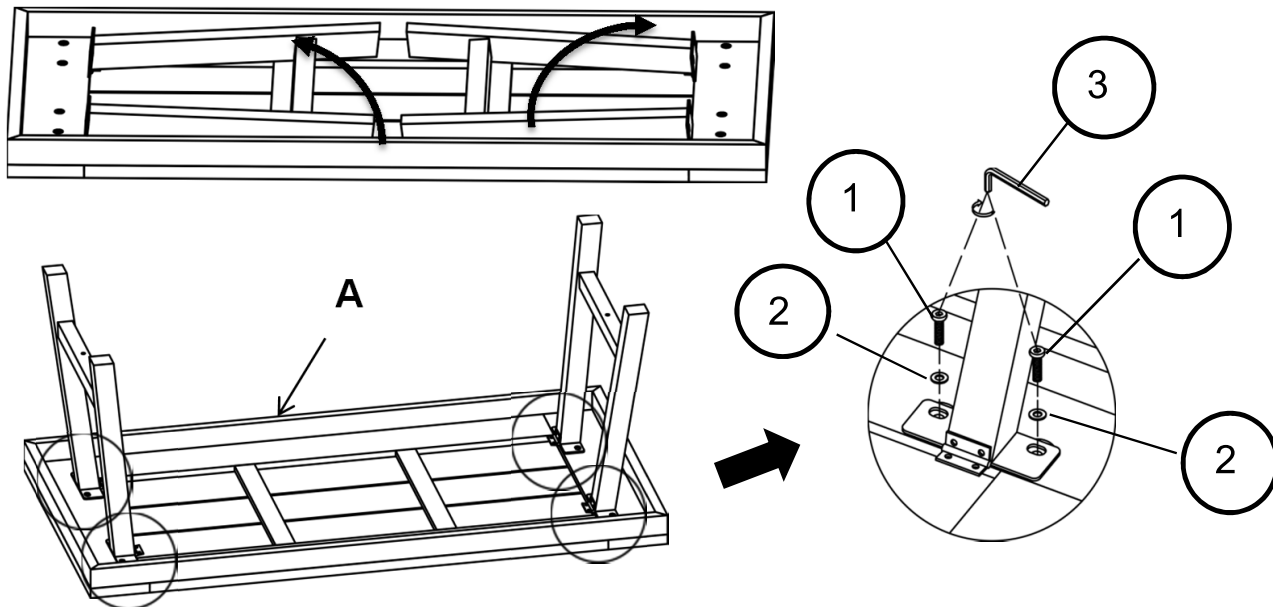
This Table has multiple parts and may require up to some 15 minutes to assemble. To give you an overview of the Table parts, the above picture is to help you put the various parts into perspective. Please read through the instructions below to familiarise yourself with the parts and steps before assembly.

Step 1



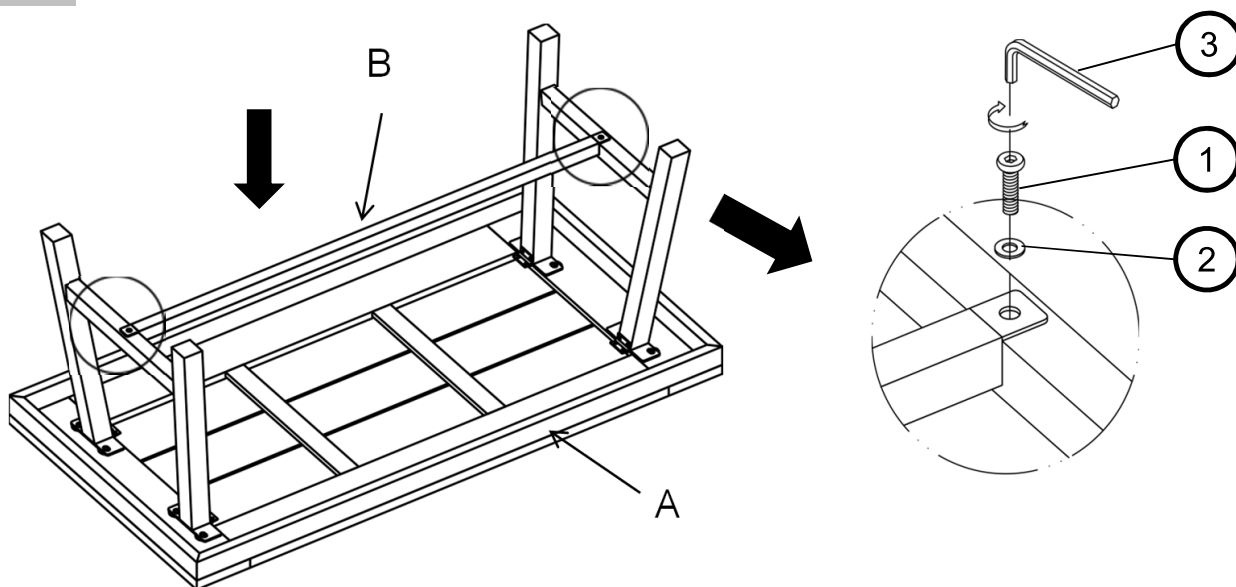
Unpack and place all parts on a clean non -marring surface.

Step 2



Place the Table (A) facedown, on to a clean, soft surface to avoid any Scratches or clamages to the product Lift legs upwards and outwards until the braces are met at position to the table ,as shown in the above picture Secure Legs to Table by using Bolts (①) and Washers (②) with Allen Wrench (③), Total 8 positions.
DO NOT FULLY TIGHTEN THE BOLTS.

Step 3



Attach the Support Bar (B) to the Legs as shown in picture above.
Affix the Support bar (B) with the Legs by using bolts (①), washer (②) and Allen Wrench (③), Total 2 positions.
DO NOT FULLY TIGHTEN THE BOLTS.

Step 4



Turn the Table right side up.

Place the Table on a **LEVEL SURFACE**.

Inspect it and make sure all parts are adequately connected.

Gently and gracefully, place a force onto the table top.

This would help to align all the parts at all the joint areas.

Then proceed to tighten all bolts sequentially.

DO NOT tighten any screw fully and then towards the next one.

This would cause the frame to warp.

If there is still wobbles, loosen the screws and execute this same process.











WARNING!! IF THE TABLE IS NOT STABLE , IT COULD LEAD TO DAMAGING THE PRODUCT.

Ensure all bolts are fully locked into position.

The table is ready to be used.

This Table can only be used on a flat, level surface.

Care & Maintenance

- ⊘  ● Prolonged exposure to rain may cause rusting which can stain floors.
 - ⊘  ● Do not put hot items directly on furniture surface.
 - ⊘  ● Do not clean furniture with harsh cleansers or polish.
 - ✓  ● To obtain the longest lifespan of your outdoor products, minimizing exposure to direct sunlight is recommended.
 - ⊘  ● Children should not climb or jump on the furniture.
 - ⊘  ● Do not write on furniture without a padded barrier to protect the surface.
 - ✓  ● To obtain the longest lifespan of your outdoor products, avoid extended and lengthy exposure to rain, snow, and direct sunshine. Whenever possible cover the product and /or place under patio or awnings.
 - ⊘  ● Not for commercial use. For residential use only.
 - ⊘  ● Stains may be removed with mild soap solution and damp cloth..
-
- ✓  ● Dust and pick-up spills using a clean, non-colored, lint-free cloth.