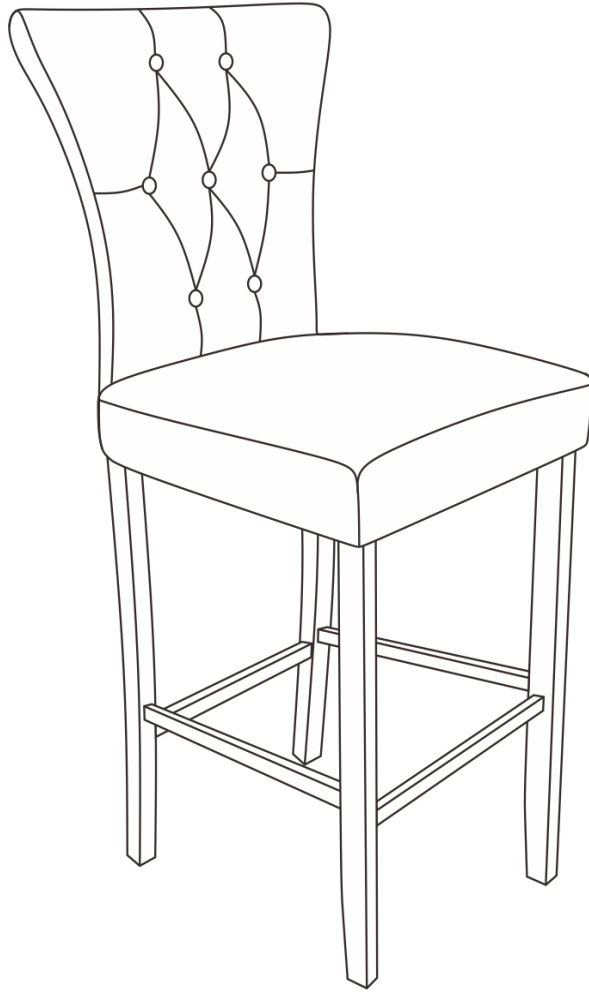
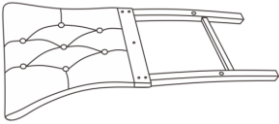
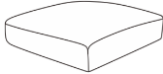



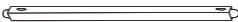


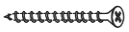






# Assembly Instructions

**Caution: Please read this carefully before you proceed**

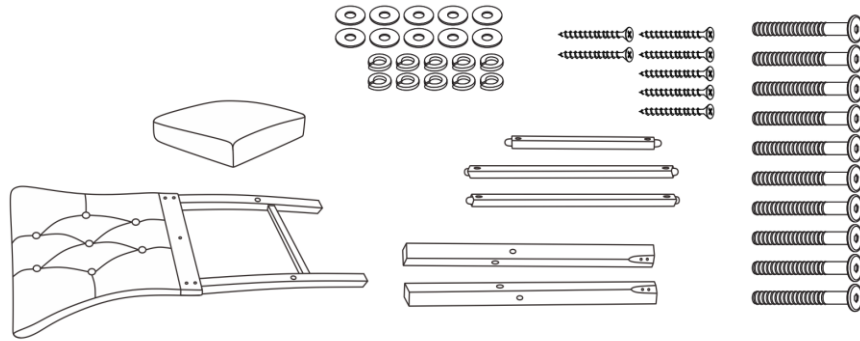
## Bar Stool








<b>Part List</b>			
Label	Picture	Description	QTY
A		Chair Back	1
B		Chair Seat	1
C		Left Chair Leg	1
D		Right Chair Leg	1
E		Front Stretcher	1
F		Left Stretcher	1
G		Right Stretcher	1
<b>Hardware</b>			
Label	Picture	Description	QTY
①		Bolt (M6x60mm)	10
②		Screw (M4x38mm)	7
③		Spring Washer	10
④		Washer	10
⑤		Allen Key	1
⑥		Screwdriver (Not provided)	1

## Assembly Preparation

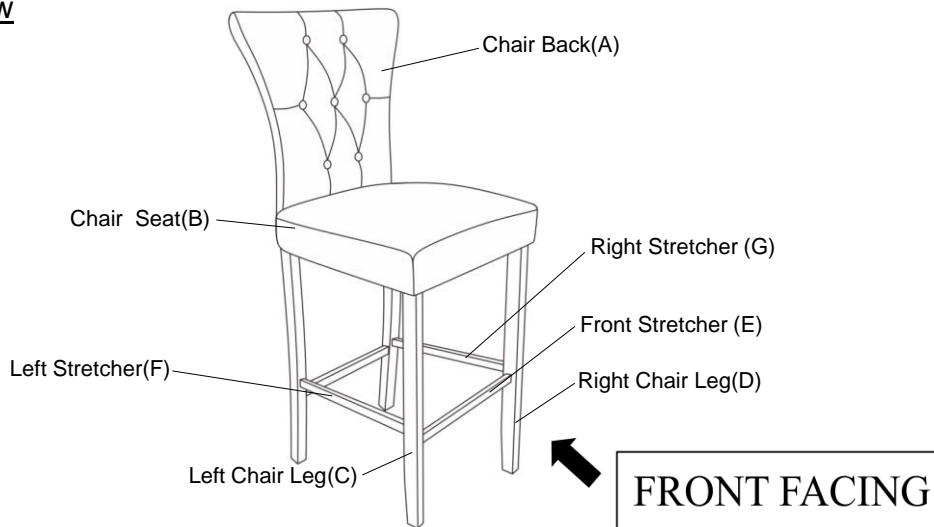
Before Beginning Assembly:



-  • Read instructions, cover to cover-
-  • Have 2 adults on hand for assembly-
-  • Do not assemble on flooring or carpet-
-  • Assemble on a clean non-marring surface (packing foam)-
-  • Save all packaging until finished-

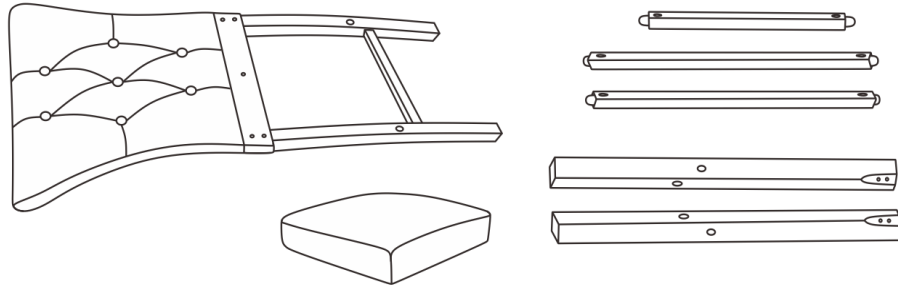
## Assembly Steps

### Overview



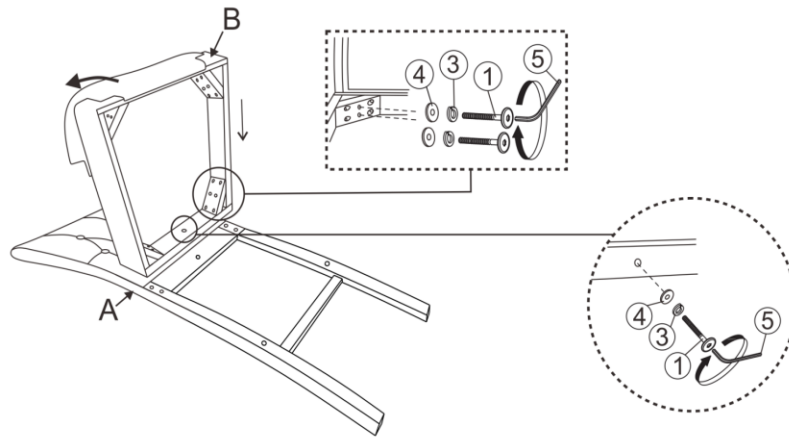
This Bar Stool has multiple parts and may require up to 30 minutes to assemble. To give you an overview of the Bar Stool parts, the above picture is provided to help you put the various parts into perspective. Please read through the instructions below to familiarise yourself with the parts and steps before assembly.

**Step 1**



Place the Chair Back(A), Chair Seat(B), Left Chair Leg(C), Right Chair Leg(D), Front Stretcher(E), Left Stretcher(F) and Right Stretcher(G) onto a clean, non-marring surface.

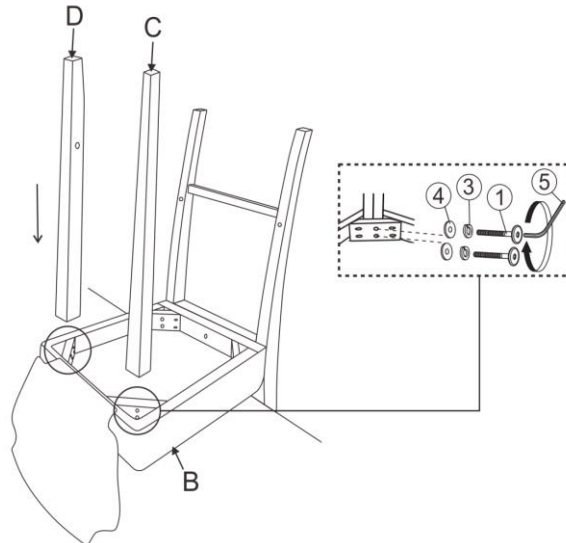
**Step 2**



Attach Chair Seat(B) with Chair Back(A) using Bolts(①), Spring Washers(③), Washers(④) and the Allen Key(⑤).

**Do not fully tighten the bolts.**

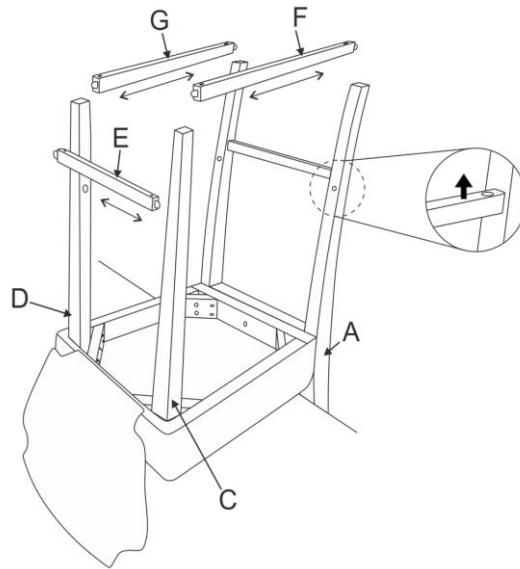
**Step 3**



Insert Left Chair Leg(C) and Right Chair Leg(D) into Chair Seat(B) using Bolts(①), Spring Washers(③), Washers(④) and the Allen Key(⑤).

**Do not fully tighten the bolts.**

#### Step 4

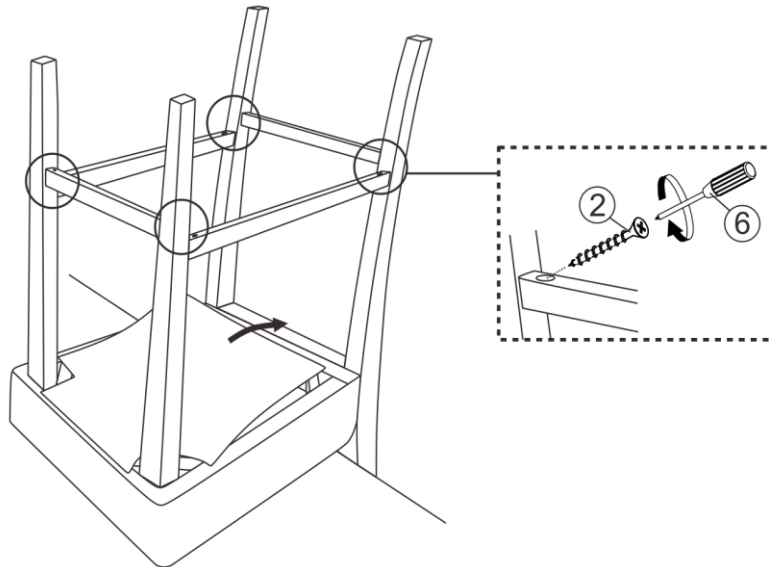


Insert the Left Stretchers(F), Right Stretchers(G) and Front Stretcher(E) into the mounting positions between the legs in sequence.

Note: You may need to apply a little pressure to the Stool Legs to enable the Stretcher to be slotted into position.

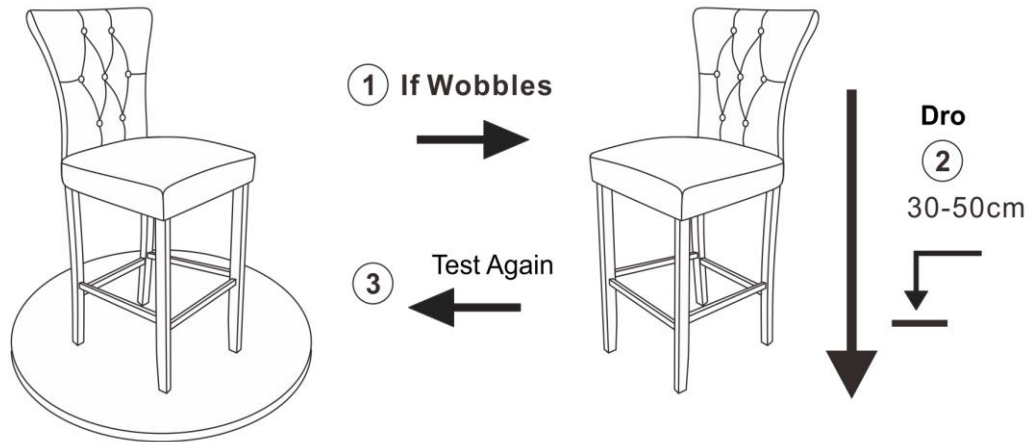
**Please ensure that all the drill holes on the Stretcher are facing upwards as shown in the figure.**

#### Step 5



**Attach all Stretchers using Screws(2) and a Screwdriver(6).**

## Step 6



Place the Bar Stool on a Level Surface to check if it wobbles.

If it wobbles, lift the Bar Stool up some 30cm to 50cm from the ground, keep your feet and toes well away from the drop zone, and drop the Bar Stool freely and vertically with the four legs, hitting the ground at the same time.

This Drop Test will help ensure that all parts and gaps reach full alignment. Test again for evenness on a Level Surface.

If no wobbles are found, proceed to tighten all the Bolts.

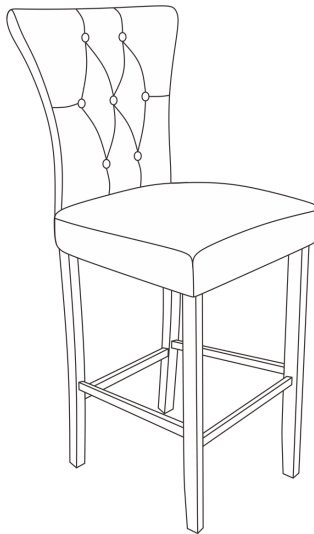
**When tightening the Bolts, tighten sequentially.**

**Do not tighten any Bolt fully and then move on to the next one, as this could cause the frame to warp.**

Rather in a sequential manner, gradually tighten each Bolt until all are evenly secured. This methodology will ensure maximum evenness once all Bolts are fully tightened.

**If the Bar Stool still wobbles, loosen the Bolts and execute the same drop test, then proceed to tighten the bolts again in a sequential manner.**

## Step 7



Your Bar Stool is now ready for use.

**This Bar Stool can only be used on a flat, level surface.**

## Care & Maintenance

-  Furniture may scratch floors. We recommend using furniture pads to protect your floors.
-  Do not put hot items directly on furniture surface.
-  Do not clean furniture with harsh cleansers or polish.
-  Do not place furniture under direct sunlight.
-  Do not place furniture near heating or cooling vents.
-  Do not write on furniture without a padded barrier to protect the surface.
-  Do not place furniture outside . For indoor use only.
-  Not for commercial use. For residential use only.
-  Stains may be removed with mild soap solution and damp cloth.
-  Children should not climb or jump on the furniture.
-  Dust and pick-up spills using a clean, non-colored, lint-free cloth.