

WARNING: Risk of Shatter Associated with Glass Furniture

Please note that in rare instances, glass furniture that is damaged by chips or scratches may break, seemingly of its own accord. Damage to the glass (not always visible) can get worse over time until it reaches a critical point when it may shatter. In the event of damage, this product is designed to shatter into lots of small granular pieces rather than large shards. This is a safety feature to reduce the risk of injury.

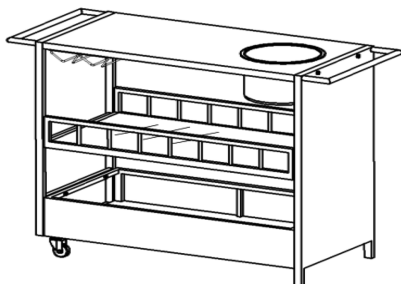
To reduce the risk of damage, we recommend the following:

- During assembly do not lay the glass directly onto hard or rough surfaces. Lay the glass on a blanket or cardboard.
- When lifting or moving the product, ask for someone to lend a hand. Trying to move a product on your own can lead to accidents.
- Do not use the furniture if any parts are missing or broken.
- Do not place very hot or very cold items directly on the glass surface; we recommend using a trivet. Extreme temperature differences over small areas can cause damage, which could in turn lead to shattering.
- Do not sit or stand on the glass surface.
- Do not strike the glass with hard or pointed items, or use the glass as a chopping surface.
- Do not drag rough or heavy objects over the top of the glass.

Assembly Instructions

Caution: You must read this before you proceed.

Barcart



Part List

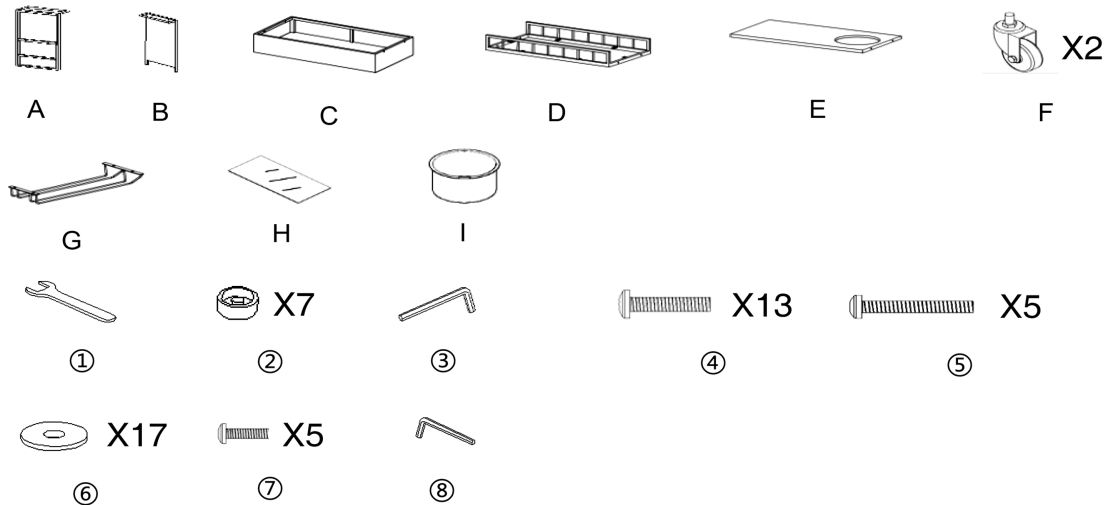
Label	Picture	Description	QTY
A		Front Panel	1
B		Back Panel with Legs	1
C		Bottom Basket	1
D		Middle Panel	1
E		Top Shelf Frame	1
F		Wheel	2
G		Wine Glass Rack	1
H		Glass	1
I		Ice Bucket	1

Hardware

Label	Picture	Description	QTY
①		Wrench	1
②		PE Cap	7
③		Allen Wrench (4mm)	1
④		Bolt (M6*35mm)	13
⑤		Bolt (M6*45mm)	5
⑥		Washer	17
⑦		Bolt (M5*20mm)	5
⑧		Allen Wrench (3mm)	1

Assembly Preparation

Before Beginning Assembly:



- Read instructions, cover to cover-



- Have 2 adults on hand for assembly-



- Do not assemble on flooring or carpet-

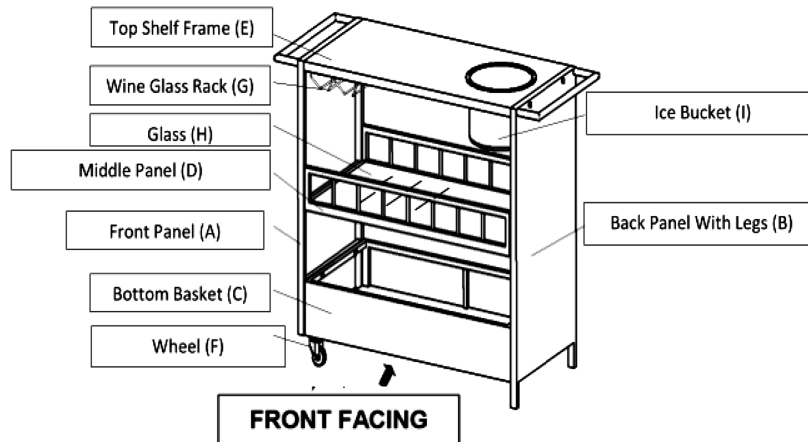


- Assemble on a clean non-marring surface (packing foam)-



- Save all packaging until finished-

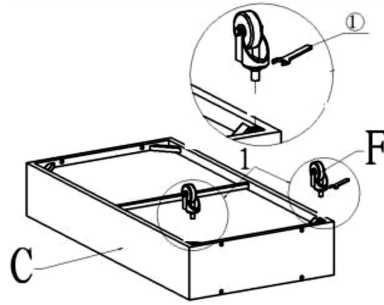
Overview



This Barcart has multiple parts and may require up to 45 minutes to assemble. To give you an overview of the Barcart parts, the above picture is to help you put the various parts into perspective. Please read through the instructions below to familiarise yourself with the parts and steps before assembly.

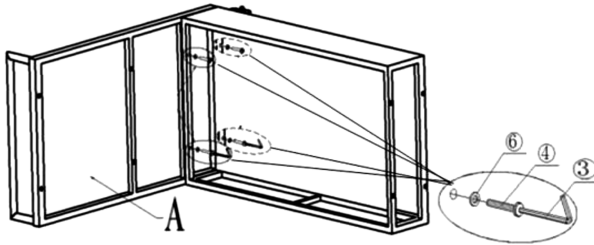
Assembly Steps

Step 1



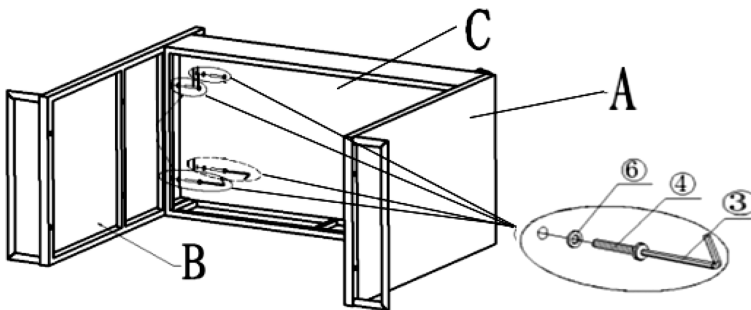
Open the carton and place all the parts onto a clean, non-marring surface.
Place Bottom Basket(C) facedown.
Attach Wheels(F) to Bottom Basket(C) using Wrench(1) as pictured above.

Step 2



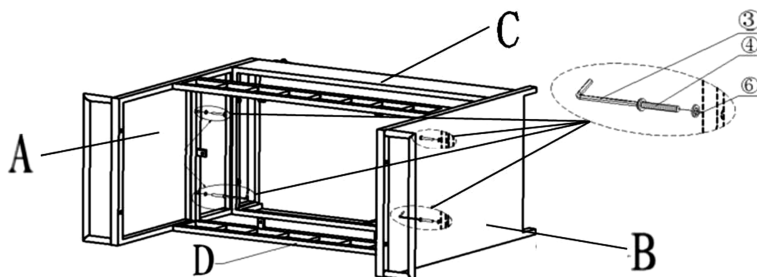
Attach Front Panel(A) to Bottom Basket(C) using Bolts(4) and Washers(6) with Allen Wrench(3) as pictured.
Do not fully tighten the Bolts.

Step 3



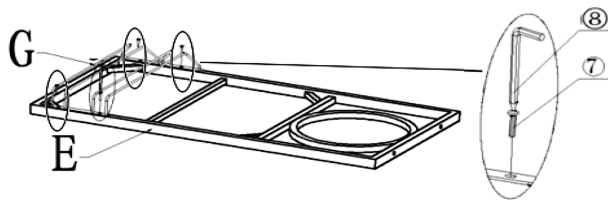
Attach Back Panel with Legs(B) to Bottom Basket(C) using Bolts(4) and Washers(6) with Allen Wrench(3) as shown in the picture.
Do not fully tighten the Bolts.

Step 4



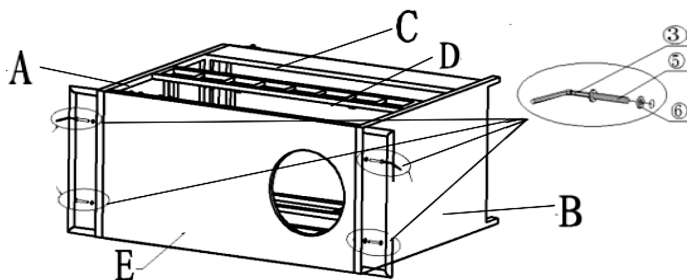
Attach Middle Panel(D) between Front Panel(A) and Back Panel with Legs(B) using Bolts(4) and Washers(6) with Allen Wrench(3) as pictured above.
Do not fully tighten the Bolts.

Step 5



Place the Top Shelf Frame(E) facedown.
Attach Wine Glass Rack(G) to Top Shelf Frame(E) using Bolts(7) with Allen Wrench(8).
Fully tighten the Bolts of the Glass Rack in a sequential manner.

Step 6



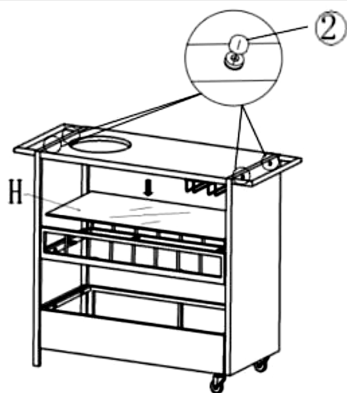
Attach Top Shelf Frame(E) between Front Panel(A) and Back Panel with Legs(B) using Bolts(5) and Washers(6) with Allen Wrench(3) as pictured above.

Note: The Wine Glass Rack(G) should be on the same side as the Front Panel(A).

Now in a sequential manner, proceed to tighten all Bolts at all joints.

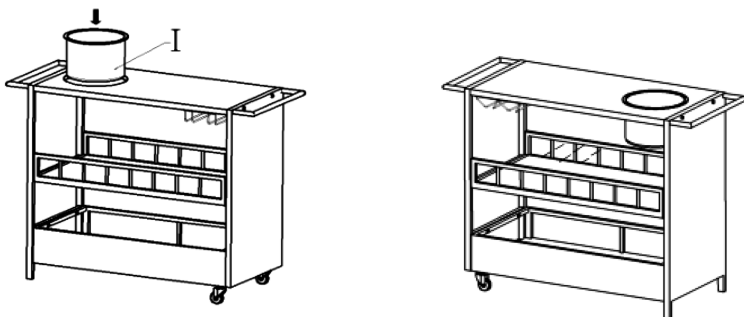
Note: DO NOT fully tighten a BOLT in one go and then move on to the next. Rather, in a sequential manner, gradually tighten each Bolt until all Bolts are evenly secured. This methodology will ensure maximum evenness once all Bolts are fully tightened.

Step 7



Carefully place Glass(H) on pre-attached suction cups on the Middle Panel(D).
Put PE Caps(2) to cover the Bolts on Top Shelf Frame(E) as pictured above.












Step 8



Place Ice Bucket(I) into position on Top Shelf Frame(E).
Your Barcart is ready for use.

This Barcart can only be used on a flat, level surface.

Care & Maintenance

- ⊘  ● Prolonged exposure to rain may cause rusting which can stain floors.
 - ⊘  ● Do not put hot items directly on furniture surface.
 - ⊘  ● Do not clean furniture with harsh cleansers or polish.
 - ✓  ● To obtain the longest lifespan of your outdoor products, minimizing exposure to direct sunlight is recommended.
 - ⊘  ● Children should not climb or jump on the furniture.
 - ⊘  ● Do not write on furniture without a padded barrier to protect the surface.
 - ✓  ● To obtain the longest lifespan of your outdoor products, avoid extended and lengthy exposure to rain, snow, and direct sunshine. Whenever possible cover the product and /or place under patio or awnings.
 - ⊘  ● Not for commercial use. For residential use only.
 - ⊘  ● Stains may be removed with mild soap solution and damp cloth.
 - ✓  ● Keep away from sources of ignition.
-
- ✓  ● Dust and pick-up spills using a clean, non-colored, lint-free cloth.