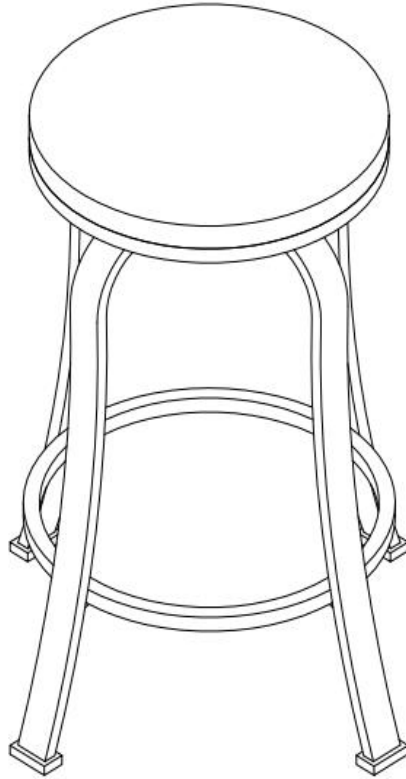


Assembly Instructions

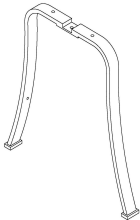
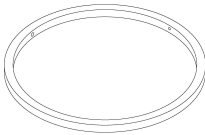
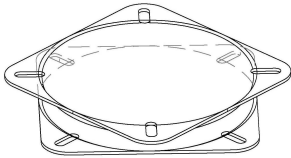
Caution: You must read this before you proceed.

Counter Stool

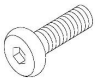
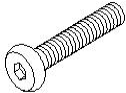
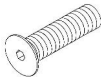





Parts List

Part NO.	Picture	Description	QTY
A	A line drawing of a circular seat, showing its thickness and a slightly raised edge.	Seat	1
B	A line drawing of a single leg, showing its curved shape and a small, flat foot at the bottom.	Leg 1 (With pre-attached Leveller)	1

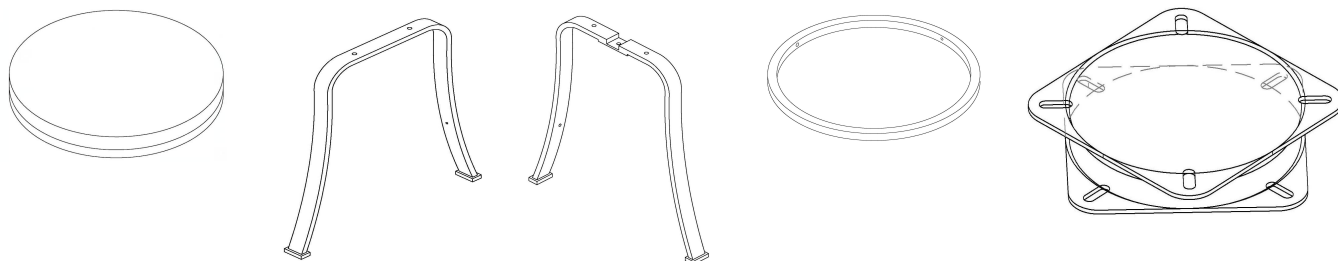
C		Leg 2 (With pre-attached Leveller)	1
D		Iron Ring	1
E		Rotating Iron Plate	1

Hardware

Label	Picture	Description	QTY
①		Bolt (M6x12mm)	9
②		Bolt (M6x16mm)	2
③		Bolt (M6x25mm)	5
④		Spring Washer	11
⑤		Washer	11
⑥		Allen Key	1

Assembly Preparation

Before Beginning Assembly:





- Read instructions, cover to cover-



- Have 2 adults on hand for assembly-



- Do not assemble on flooring or carpet-



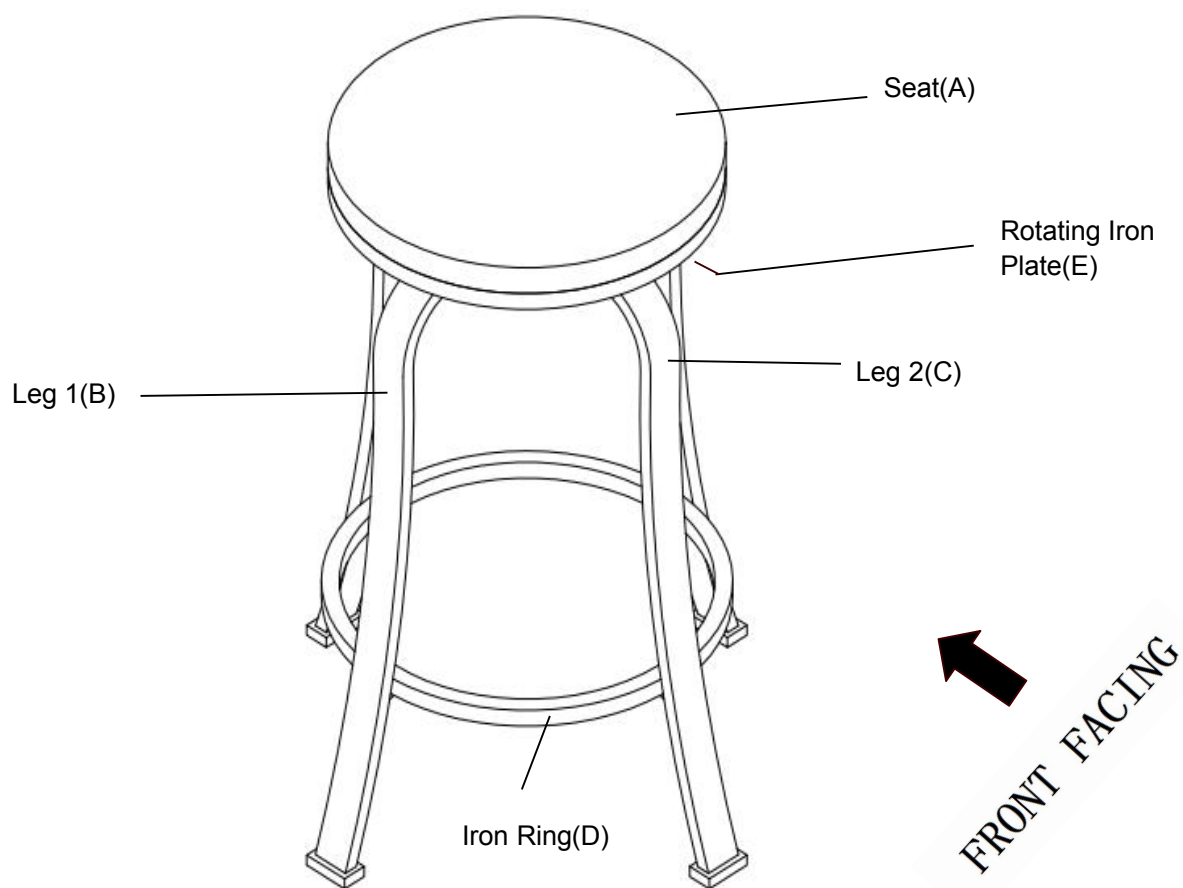
- Assemble on a clean non-marring surface (packing foam)-



- Save all packaging until finished-

Assembly Steps

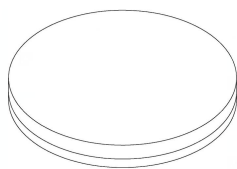
Overview



This Counter Stool has multiple parts and may require up to 30 minutes to assemble. To give you an overview of the Counter Stool parts, the above picture is to help you put the various parts into perspective.

Please read through the instructions below to familiarise yourself with the parts and steps before assembly.

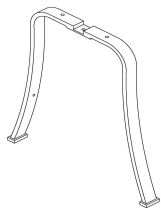
Step 1



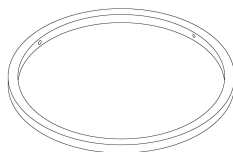
A. Seat



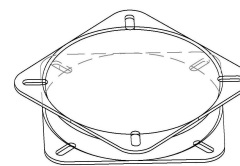
B. Leg 1



C. Leg 2



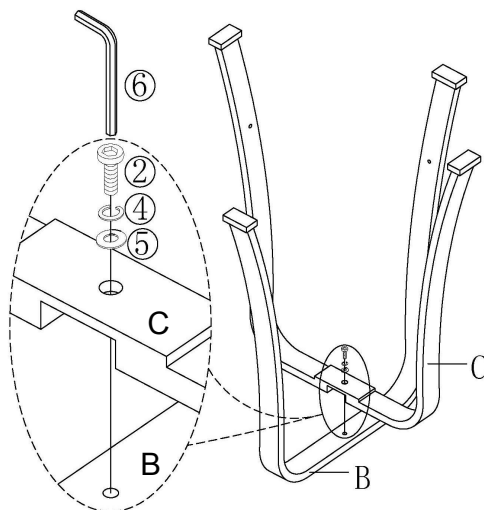
D. Iron Ring



E. Rotating Iron Plate

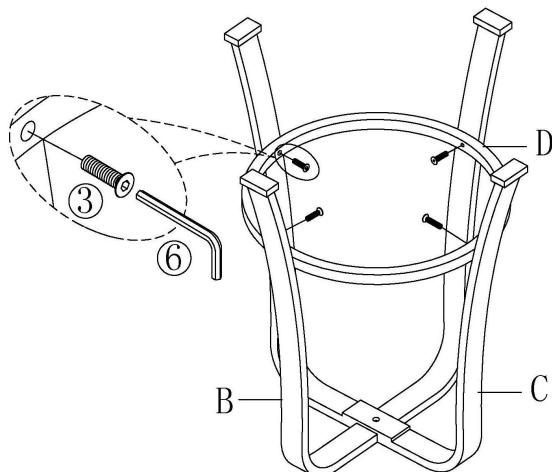
Place the Seat(A), Leg 1(B), Leg 2(C), Iron Ring(D) and Rotating Iron Plate(E) on a clean, non-marring surface.

Step 2



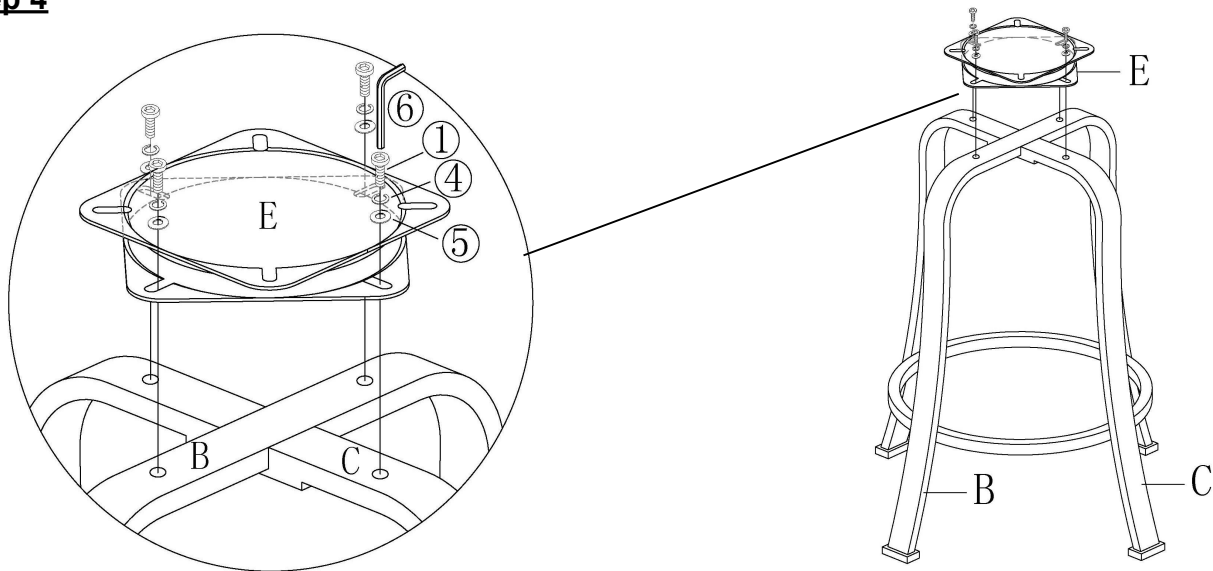
Place Leg 1(B) and Leg 2(C) facing skyward as pictured above. Attach Leg 2(C) to Leg 1(B) using Bolt(2), Spring Washer(4), and Washer(5) with Allen Key(6). **Do not fully tighten the Bolt.**

Step 3



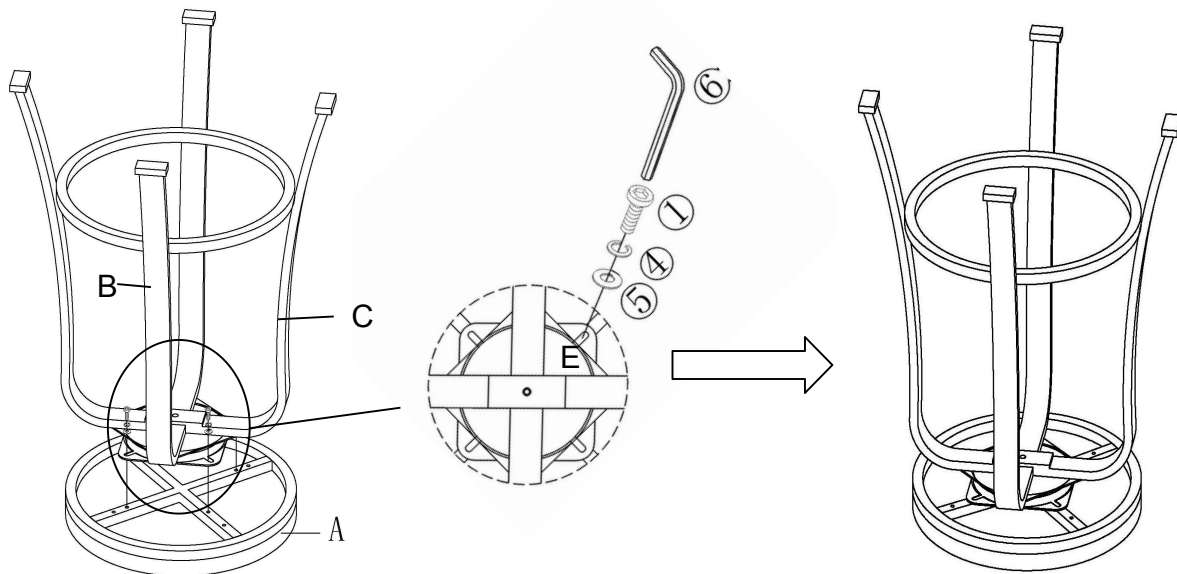
Attach Iron Ring(D) to the middle of Leg 1(B) and Leg 2(C) using Bolts(③) with Allen Key(⑥).
Do not fully tighten the Bolts.

Step 4



With assistance from your adult partner, stand the Counter Stool up.
Attach the Rotating Iron Plate(E) to Leg 1(B) and Leg 2(C) using Bolts(①), Spring Washers(④), and Washers(⑤) with Allen Key(⑥) as shown in picture.
Tighten all Bolts at all joints fully in a sequential manner.

Step 5



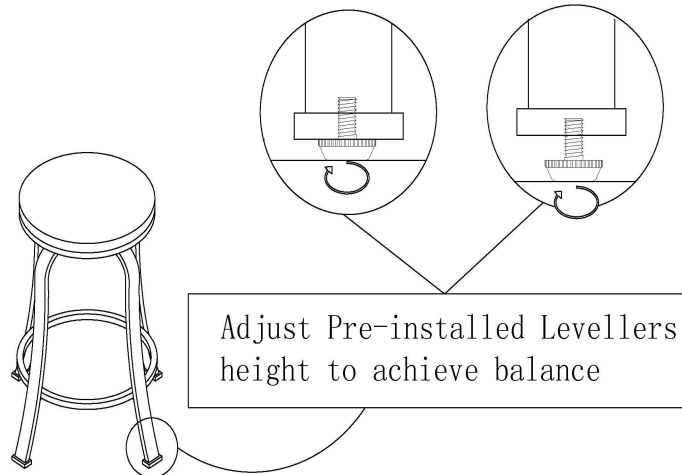
Place the Seat(A) facedown.

With your assistance from your adult partner, lift up the Stool and align the mounting positions on the Seat(A) to the Rotating Iron Plate(E) by turning the Rotating Iron Plate(E) 45 degrees if need as shown in picture.

Attach Seat(A) to Rotating Iron Plate(E) using Bolts(①), Spring Washers(④), and Washers(⑤) with Allen Key(③).

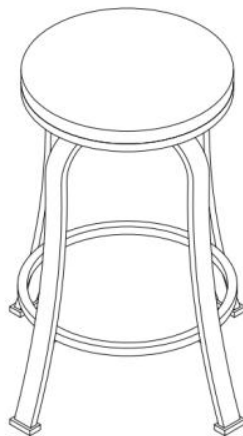
Tighten all Bolts fully in a sequential manner.

Step 6



Adjust the Pre-installed Levellers on the Legs until the Counter Stool is level with the ground.



















Step 7



Inspect and make sure all parts are connected and fully secured in position.
Your Counter Stool is now ready for use.

This Counter Stool can only be used on a flat, level surface.

Care & Maintenance

-   ● Do not put hot items directly on furniture surface
-   ● Do not clean furniture with harsh cleansers or polish.
-   ● Do not place furniture under direct sunlight.
-   ● Do not place furniture near heating or cooling vents.
-   ● Do not write on furniture without a padded barrier to protect the surface.
-   ● Do not place furniture outside . For indoor use only .
-   ● Not for commercial use. For residential use only .
-   ● Stains may be removed with mild soap solution and damp cloth.
-   ● Children should not climb or jump on the furniture.

-
-   ● Dust and pick-up spills using a clean, non-colored, lint-free cloth .

What is Proposition 65?

Proposition 65 is a California law that requires warning labels on products that may contain one of more than 800-plus chemicals or ingredients that the California Office of Environmental Health Hazard Assessment (OEHHA) has deemed to cause cancer or other reproductive toxicity. Chemicals and elements on this list include wood dust, brass, and other everyday substances, which can be found in very common household items, such as: lamps, tableware, jewelry, crystal glasses, electric cords, beauty products, automobiles, and furniture.

Why Did I Find a Proposition 65 Warning on My Home Goods Product?

We include Proposition 65 warnings on all of our products because there is always a chance that one of the 800-plus common chemicals and ingredients listed under this law could potentially be on our furniture or packing materials. We risk large fines under this law, if we don't include this warning.

Should I worry?

We realize you may be worried finding this warning on our products, but we want to reassure you that the hazardous exposure limits for any of these chemicals have never been found on furniture products that we've shipped to our customers. Additionally, this warning label is very common and can be found on almost every piece of furniture sold in the state of California.

Just How Common Are Proposition 65 Warnings?

Proposition 65 warnings have become so common in California that it is hard to take a trip to a local bank, grocery store, or restaurant without finding at least one warning. In fact, even the Disney Land Resort has a Proposition 65 warning:

