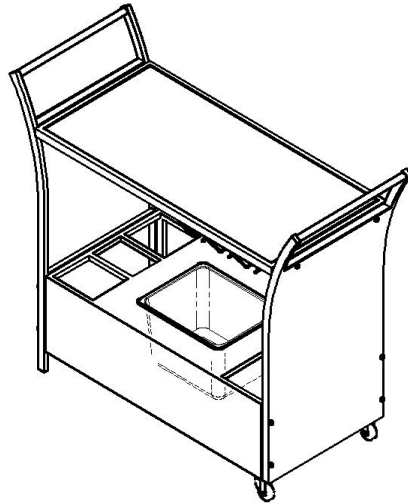




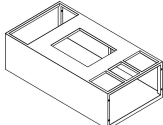
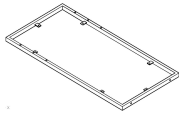
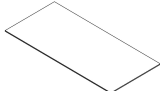
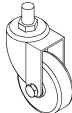
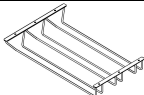
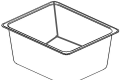
Assembly Instructions

Caution: You must read this before you proceed




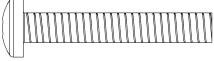




Trolley



Parts List

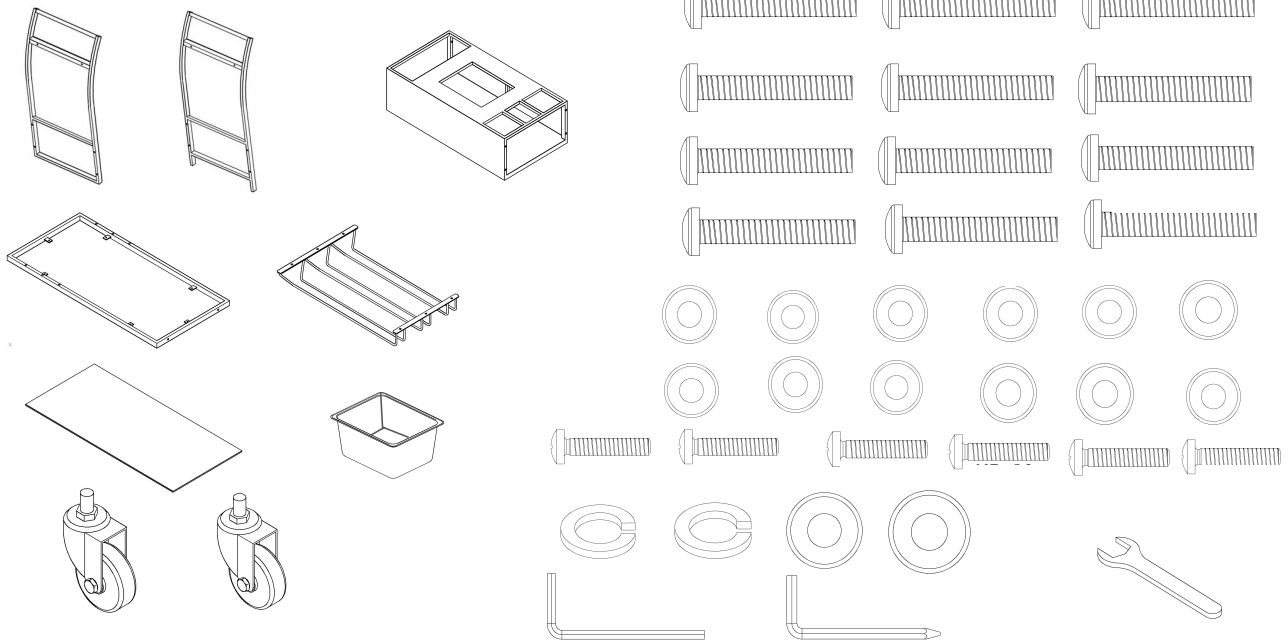
Label	Picture	Description	QTY
A		Front Panel	1
B		Back Panel With Legs	1
C		Bottom Basket	1
D		Top Shelf Frame (with preassembled Glass suction cups)	1
E		Glass	1
F		Wheel	2
G		Wine Glass Rack	1
H		Ice Bucket	1

Hardware

Label	Picture	Description	QTY
I		Wrench	1
J		Spring Washer	3
K		Washer (Small)	13
L		Bolt (M6*45mm)	13
M		Allen Wrench	1
N		Allen Wrench (With Cross Screwdriver)	1
O		Bolt (M5*20mm)	7
P		Washer (Big)	3

Assembly Preparation

Before Beginning Assembly:



- Read instructions, cover to cover-



- Have 2 adults on hand for assembly-



- Do not assemble on flooring or carpet-



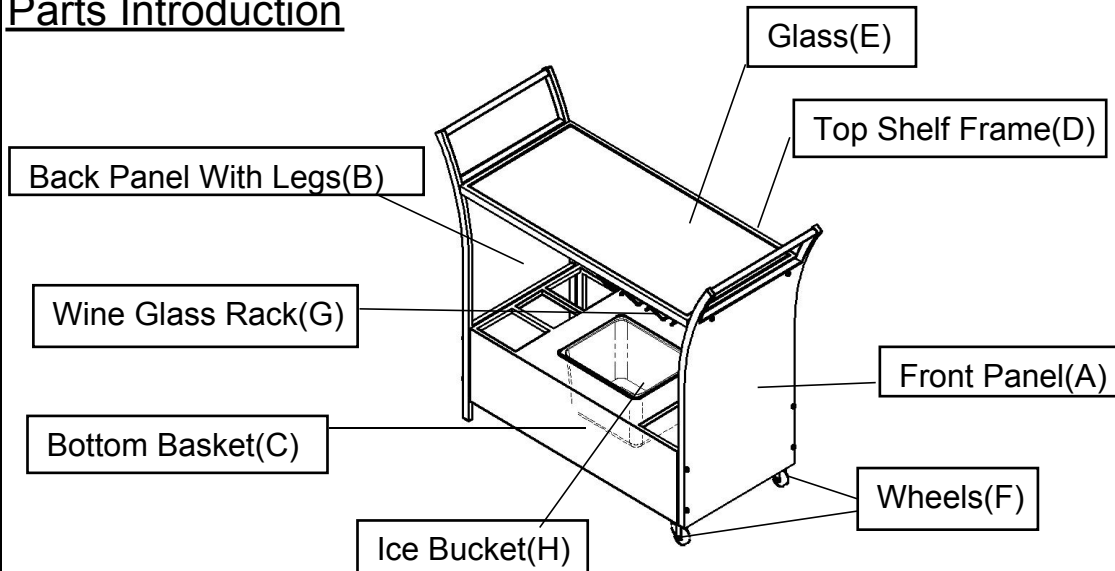
- Assemble on a clean non-marring surface (packing foam)-



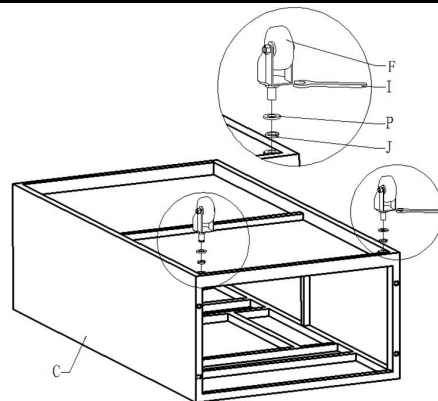
- Save all packaging until finished-

Assembly Steps

Parts Introduction

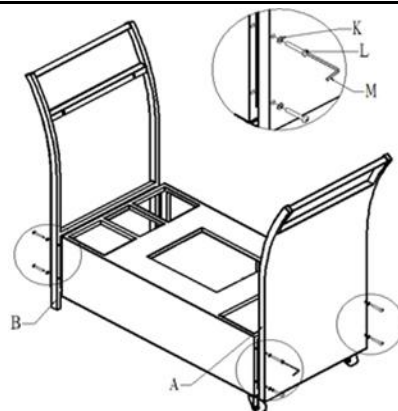


Step 1



Open the carton and place all the parts onto a clean, non-marring surface.
Put Bottom Basket(C) upside down.
Turn Wheels(F), fully in, into the two mounting positions using Washer(P) and Spring Washer(J) with Wrench(I) as pictured above.

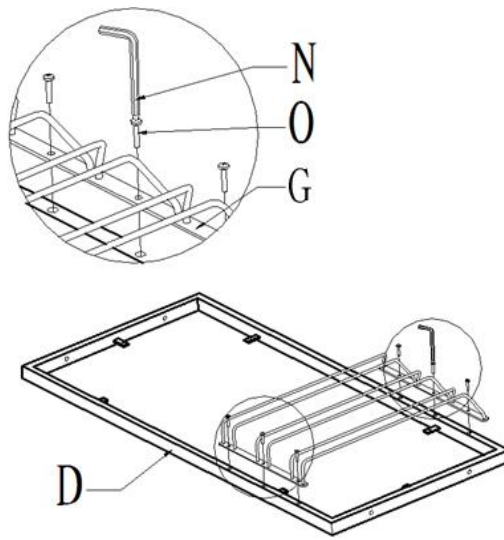
Step 2



Attach Back Panel With Legs(B) to Bottom Basket(C) using Washers(K) and Bolts(L) with Allen Wrench(M) as shown in the picture.
Attach Front Panel(A) to Bottom Basket(C) using Washers(K) and Bolts(L) with Allen Wrench(M) as pictured above.

**Note: Please keep Front Panel(A) and the Wheels at the same end.
Loosely tighten the Bolts.**

Step 3



Place the Top Shelf Frame(D) face down.
Attach Wine Glass Rack(G) to Top Shelf Frame(D) using Bolts(O) with Allen Wrench(N).
Fully and Securely tighten the Bolts of the Glass Rack to the Shelf Frame.

Step 4



Attach Top Shelf Frame(D) between Back Panel With Legs(B) and Front Panel(A) using Washers(K) and Bolts(L) with Allen Wrench(M) as pictured above.

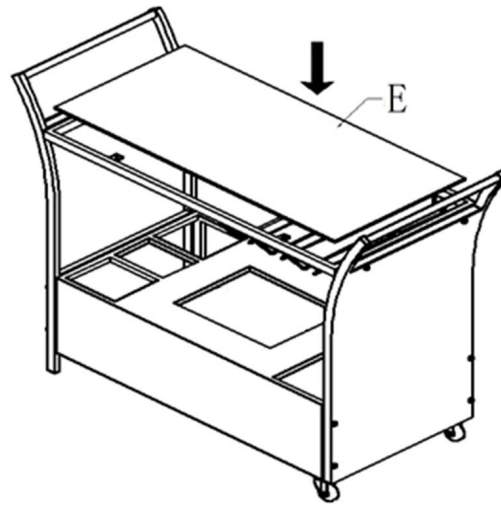
Note: Please keep Wine Glass Rack(G) at the same end with the Front Panel(A).

Test for levelness.

Now in a sequential manner, proceed to tighten all Bolts at all joints.

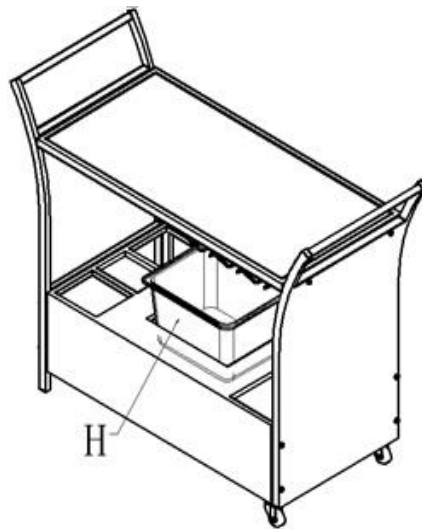
Note: DO NOT fully tighten a BOLT in one go and then move on to the next. Rather, in a sequential manner, gradually tighten each Bolt until all Bolts are evenly secured. This methodology will ensure maximum evenness once all Bolts are fully tightened.

Step 5



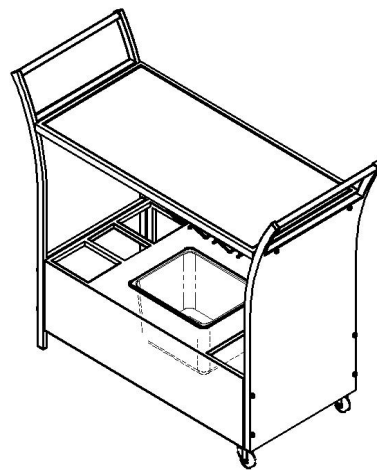
Carefully place Glass(E) on the Top Shelf Frame(D) with preattached suction cups.

Step 6























Place Ice Bucket(H) into the Bottom Basket(C).

Step 7



Your Trolley is ready for use.

Care & Maintenance

-   ● Do not put hot items directly on furniture surface
 -   ● Do not clean furniture with harsh cleansers or polish.
 -   ● To obtain the longest lifespan of your outdoor products, minimizing exposure to direct sunlight is recommended.
 -   ● Children should not climb or jump on the furniture.
 -   ● Do not write on furniture without a padded barrier to protect the surface.
 -   ● To obtain the longest lifespan of your outdoor products, avoid extended and lengthy exposure to rain, snow, and direct sunshine. Whenever possible cover the product and /or place under patio or awnings.
 -   ● Not for commercial use. For residential use only .
 -   ● Stains may be removed with mild soap solution and damp cloth.
 -   ● Keep away from sources of ignition.
-
-   ● Dust and pick-up spills using a clean, non-colored, lint-free cloth .