

Caution: You must read this before you proceed

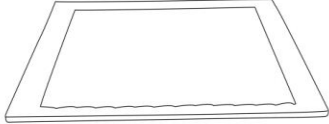
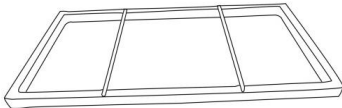

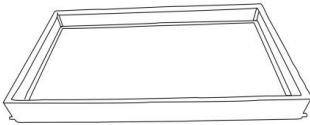
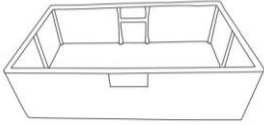

Assembly Instructions

BAR CART


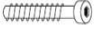





**CAUTION : This BAR CART is NOT a TOY.
Keep your child / children at bay during the assembly process.**

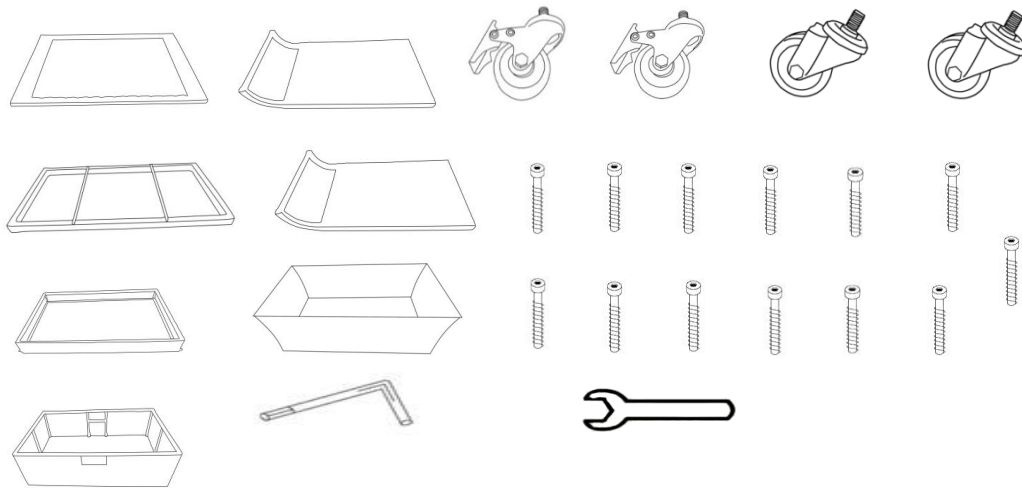
Parts List






| Label | Picture | Description | QTY |
|-------|---|---------------------|-----|
| A |  | Top Shelf | 1 |
| B |  | Bottom Shelf | 1 |
| C |  | Front&Back Handrail | 2 |
| D |  | Middle Tray | 1 |
| E |  | Drawer | 1 |
| F |  | Ice Bucket | 1 |

Hardware

| Label | Picture | Description | QTY |
|-------|---|----------------------|-----|
| ① |  | Wheel(with break) | 2 |
| ② |  | Bolt(M6*50MM) | 13 |
| ③ |  | Allen Wrench | 1 |
| ④ |  | Wheel(with no break) | 2 |
| ⑤ |  | Spanner (M8) | 1 |

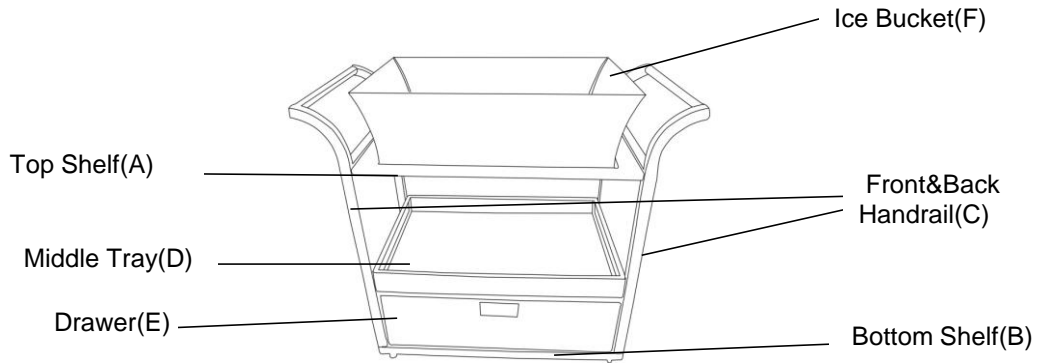
Assembly Preparation



-  • Read instructions, cover to cover-
-  • Have 2 adults on hand for assembly-
-  • Do not assemble on flooring or carpet-
-  • Assemble on a clean non-marring surface (packing foam)-
-  • Save all packaging until finished-

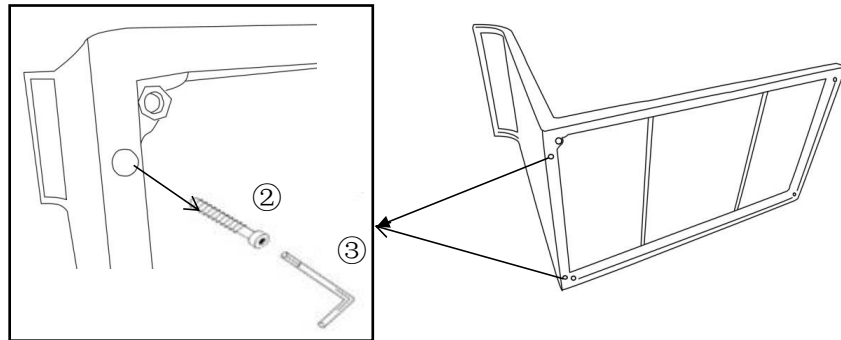
Assembly Steps

Overview



This Bar Cart has multiple parts and may require up to some 30 minutes to assemble. To give you an overview of the Bar Cart parts, the above picture is to help you put the various parts into perspective. Please read through the instructions herebelow to familiarise the parts and steps before assembly.

Step 1

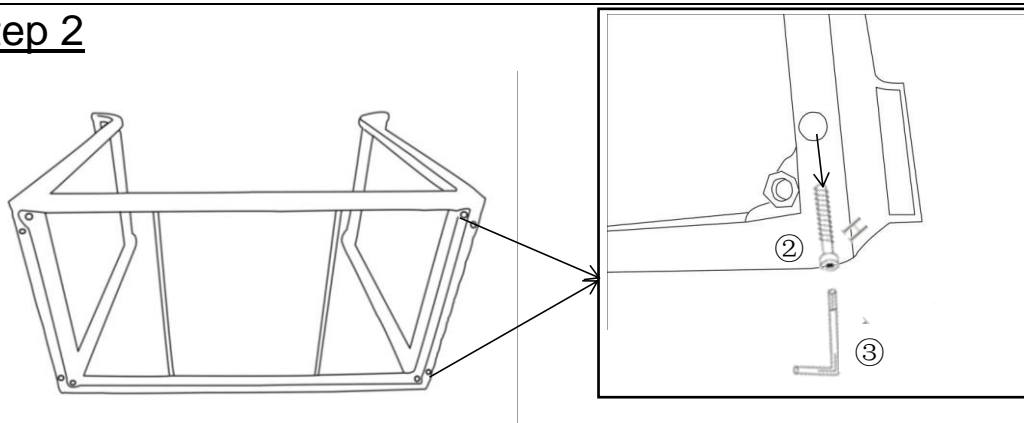


Open the carton and place all the parts onto a clean, non-marring surface. Attach Bottom Shelf(B) to Front Handrail(C) using Bolt(2) with Allen Wrench(3).

DO not over tighten Bolts.

Caution: The Bar Cart Parts are heavy, always have a second Adult to assist you whenever lifting or moving these.

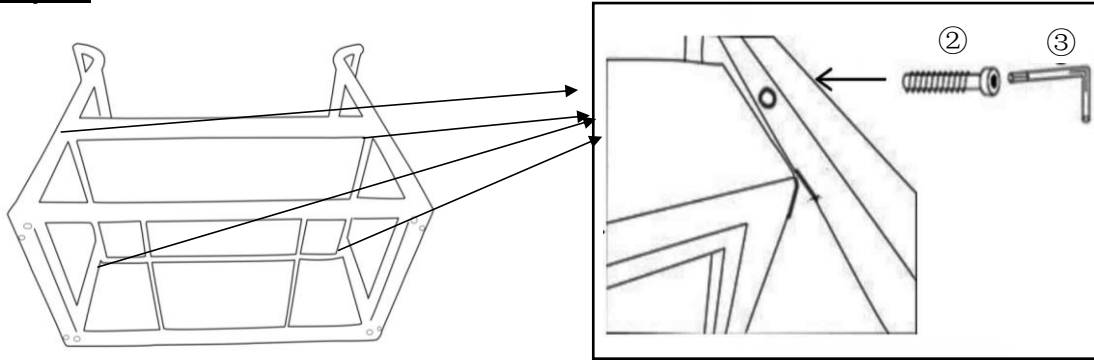
Step 2



Attach the second Side Panel with Handrail(C) to Bottom Shelf(B) using Bolt(2) with Allen Wrench(3).

DO not over tighten Bolts.

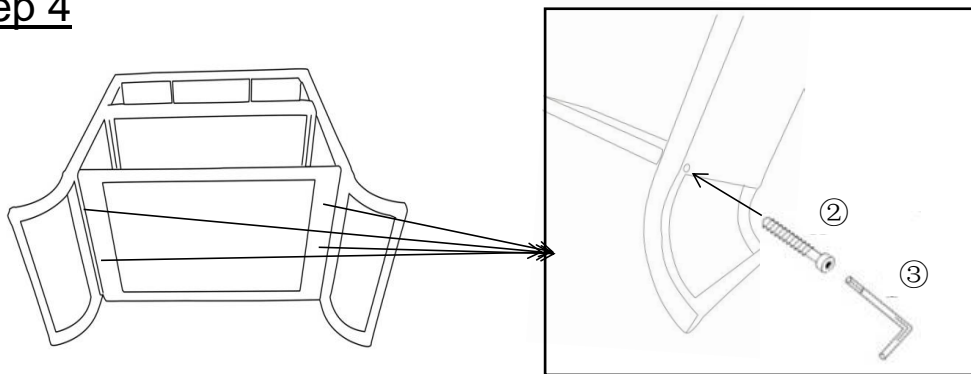
Step 3



Attach middle Tray(D) between Side Panels with Handrail(C) using Bolt(2) with Allen Wrench(3).

DO not over tighten Bolts.

Step 4



Attach Top Shelf(A) to between Side Panels with Handrail(C) using Bolt(2) with Allen Wrench(3).

Do NOT over tighten Bolts.

Stand Trolley up and test for levelness.

Now, in a sequential manner, tighten all Bolts at all joints.

NOTE: DO NOT fully tighten a BOLT in one go and then move on to the next. Rather, In a sequential manner, gradually tighten each Bolt until all bolts are evenly secured. This methodology will ensure maximum evenness once all Bolts are fully tightened.

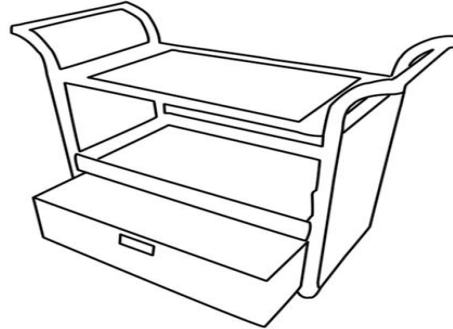
Step 5



Turn-in Wheels(①&④) using Spanner(⑤), into the four Mounting Positions.

Note: There are two wheels have braking functions, you must keep this two wheels installed in the same end. To activate the Brake press the Lever down. To release the Brake lift the Lever up.

Step 6



Place the Drawer(E) on the Bottom Shelf(B) by aiming at the corresponding slot.

Step 7



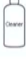










Place the Ice Bucket(F) on the Top Shelf(A).

Your Bar Cart is ready for use.

Note: Anything that will be putted in the Ice Bucket should not over 25KG.

Care & Maintenance

- ⊘  ● Prolonged exposure to rain may cause rusting which can stain floors.
 - ⊘  ● Do not put hot items directly on furniture surface.
 - ⊘  ● Do not clean furniture with harsh cleansers or polish.
 - ✓  ● To obtain the longest lifespan of your outdoor products, minimizing exposure to direct sunlight is recommended.
 - ⊘  ● Children should not climb or jump on the furniture.
 - ⊘  ● Do not write on furniture without a padded barrier to protect the surface.
 - ✓  ● To obtain the longest lifespan of your outdoor products, avoid extended and lengthy exposure to rain, snow, and direct sunshine. Whenever possible cover the product and /or place under patio or awnings.
 - ⊘  ● Not for commercial use. For residential use only.
 - ⊘  ● Stains may be removed with mild soap solution and damp cloth.
 - ✓  ● Keep away from sources of ignition.
-
- ✓  ● Dust and pick-up spills using a clean, non-colored, lint-free cloth.