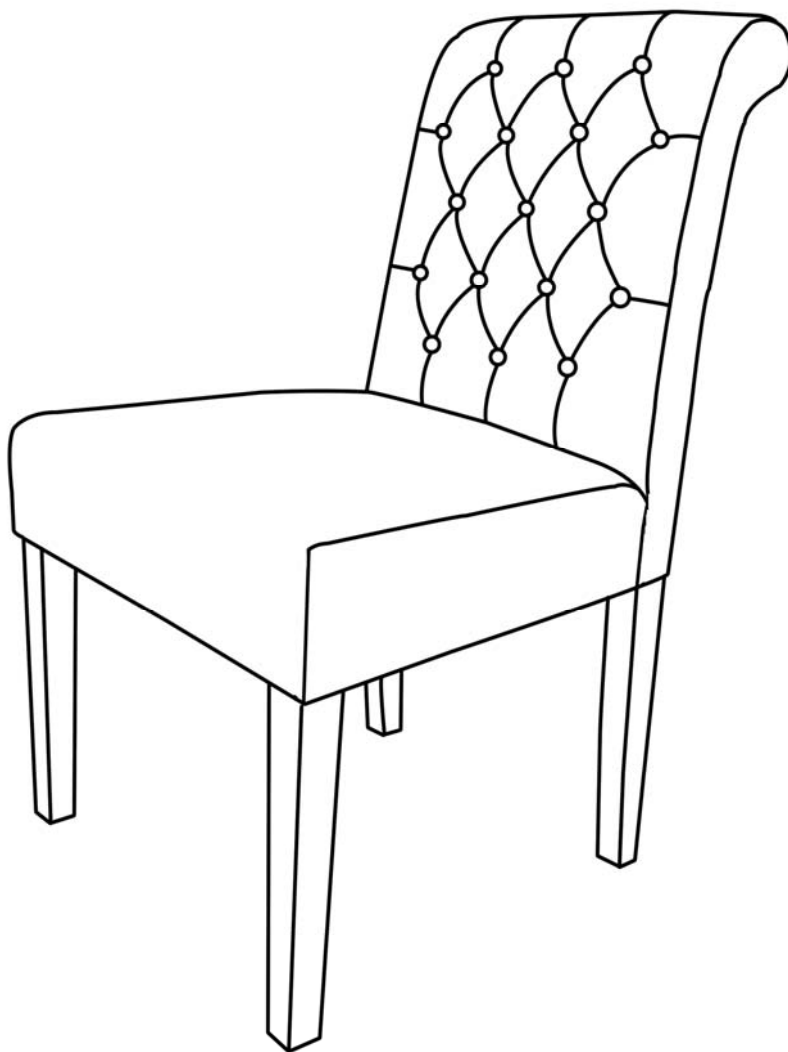


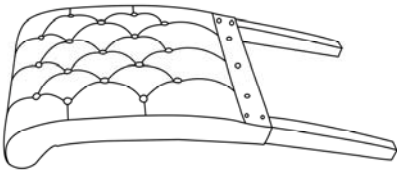
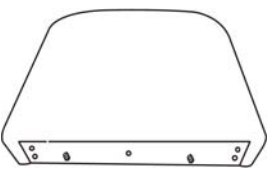

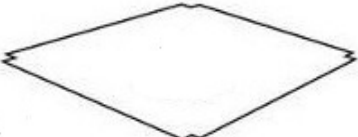
Assembly Instructions

Warnings: You must read this before you proceed.







Dining Chair



Parts List

Label	Picture	Description	Qty
A		Chair Back	1
B		Chair Seat	1
C		Front Wooden Leg	2
D		Seat Base Cover	1

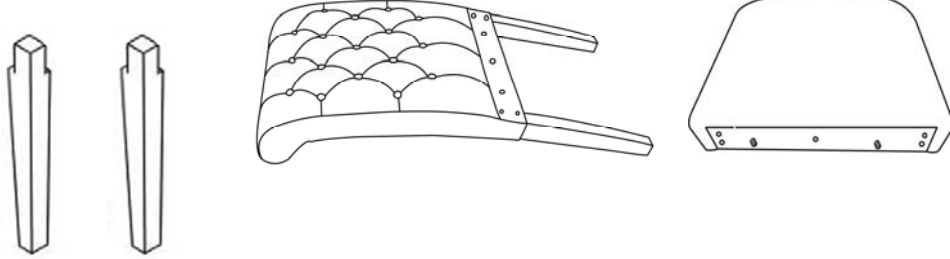
Hardware

Label	Picture	Description	Qty
a		Bolt Dia.M8X90mm (L)	4
b		Bolt Dia.M8X60mm (L)	4
c		Bolt Dia.M8X50mm (L)	1
d		Spring Washer Ring	9
e		Flat Washer Ring	9
f		Allen Key	1

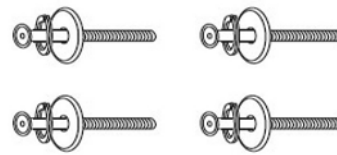
Assembly Preparation

Before Beginning Assembly:

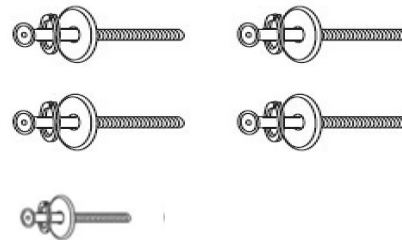
Unpack all the parts for a clear overview



Pack A for Locking the front legs to the front corner blocks of the seat:
Four Dia.M8 Bolts:60mm(L)+four flat washers +four spring washers



Pack B for locking the back panel of the seat to the horizontal panel of the backrest:
Four Dia.M8 Bolt:90mm(L)+four flat washers+four spring washers
One Dia.M8 Bolts:50mm(L)+one flat washer +one spring washer



Allen Key



- Read instructions, cover to cover-



- Have 2 adults on hand for assembly-



- Do not assemble on flooring or carpet-



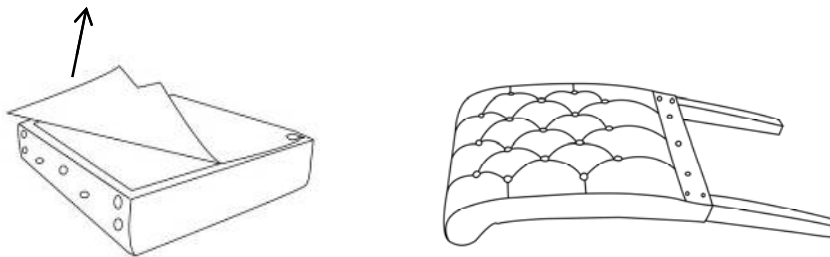
- Assemble on a clean non-marring surface (packing foam)-



- Save all packaging until finished-

Assembly Steps

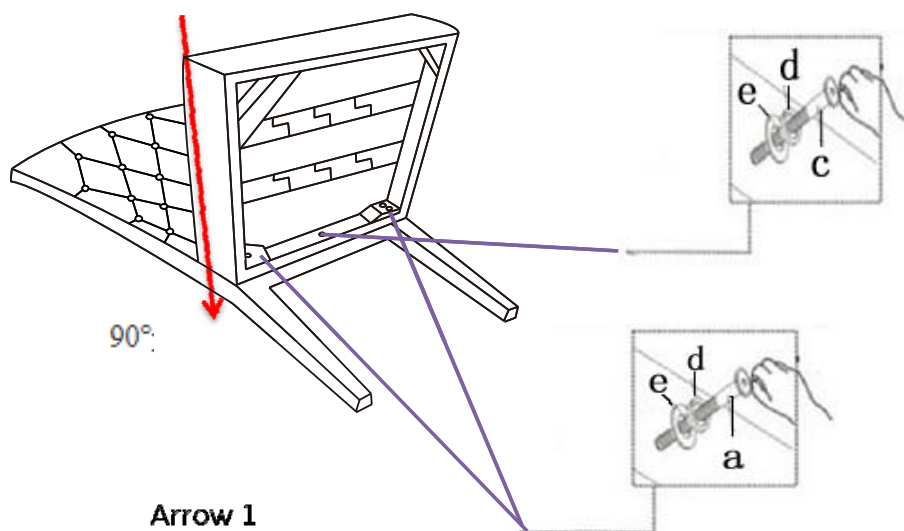
Step 1



Place the chair back(A) on a soft surface to avoid any scratches on the products.

Take out the 2 wooden legs and the package of hardware accessories.

Step 2



Put the chair back(A) onto a flat table or panel.

Align the holes on chair back(A) to the holes on chair seat frame.

Use your left hand to push the seat frame floorwards, depicted by Arrow 1.

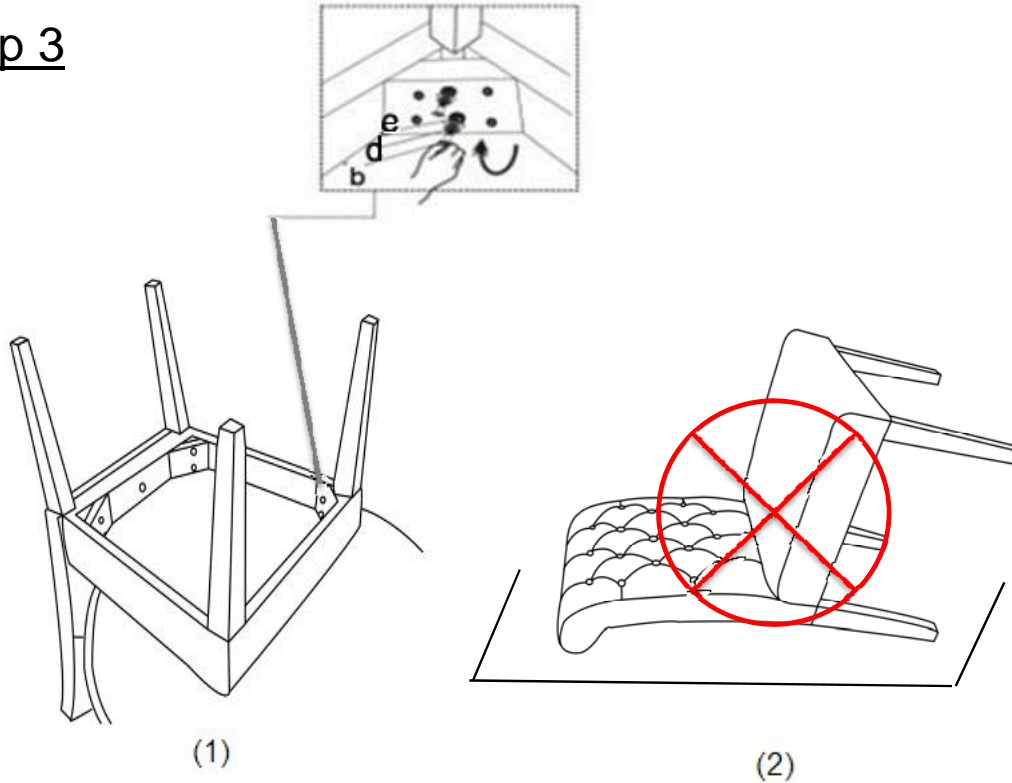
This action helps to ensure the chair seat(B) is pressed towards to the chair back(A) with no gap between these.

Then, lock the middle hole and the corner holes.

The hardware for these are : use 4 Bolts (a)+1Bolt(c)+ 5 Flat Washers (e) + 5 Spring Washers (d) with the Allen key(f).

At this point of assembly, DO NOT overfasten the connections.

Step 3



Next, place the chair onto the side of a table as seen in Picture 1. You will now have the chair bottom and all 4-legs facing skywards. Insert each front leg completely vertically into each seat frame corner.

PRESS FIRMLY DOWN with your hand until there is no gap.

WARNING!! DO NOT POSITION THE FRONT LEG AS SHOWN IN PICTURE 2 .

THIS PICTURE SHOWS THE CHAIR BACK STAYS AGAINST THE GROUND and THE FRONT LEGS HORIZONTAL IN MIDAIR.

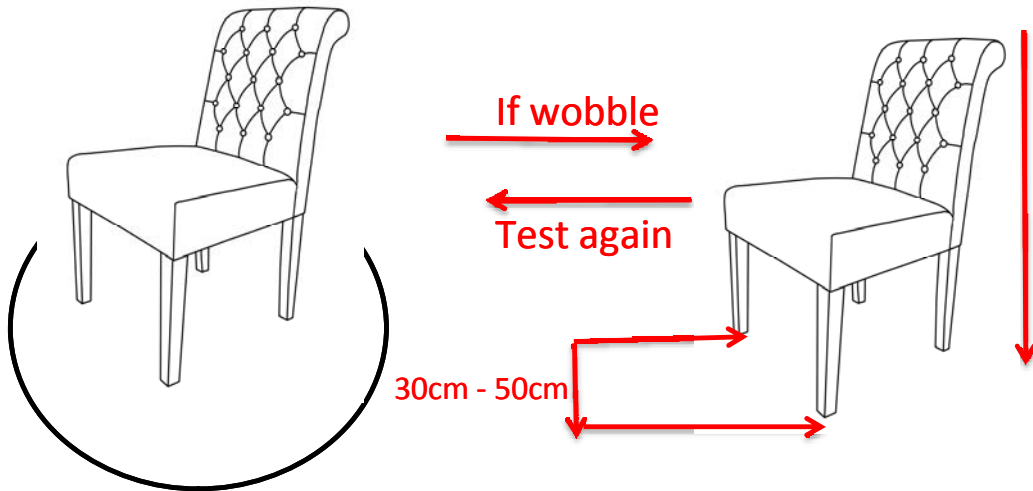
Now tighten the bottom bolt first, then the bolt on the top by using 4 bolts(b)+4 flat washers(e)+4 spring washers (d).

DO NOT tighten the top bolt first.

WARNING!! DO NOT OVER TIGHTEN. OVER TIGHTENING COULD LEAD TO DAMAGE OF THE PRODUCT. TIGHTEN ONLY UNTIL SECURE AND STABLE.

DROP TEST

Step 4



Place the chair on a **LEVEL SURFACE** to see if it wobbles. If it wobbles, lift the chair to some 30cm to 50cm height from the ground.

Keep your feet and toes well away from the drop zone.

Drop the chair freely and vertically with the four legs, hitting the ground, at the same time.

This Drop Test will help to ensure that all the bolts and gaps to all reach full alignment status.

Test again for evenness on a **LEVEL SURFACE**.

If no wobbles found, proceed to tighten all the bolts.

CAUTION : When tightening these bolts, tighten sequentially.

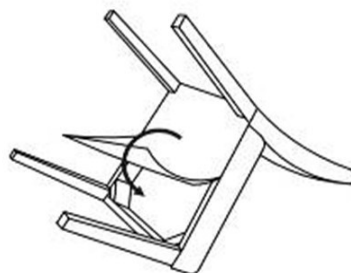
DO NOT tighten any screw fully and then towards the next one.

This would cause the frame to warp.

If there is still wobbles, loosen the bolts and execute this same drop tests.


WARNING!! IF CHAIR IS NOT STABLE , IT COULD LEAD TO DAMAGING THE PRODUCT.

Step 5



Finally, seal the Seat Base Cover back on to the underside of the chair seat . Turn it the right side up. The chair is ready for use.

Care & Maintenance

-  ● Do not put **HOT** items directly on furniture surface.
 -  ● Do not clean furniture with **HARSH** cleansers or polish.
 -  ● Do not place furniture under **DIRECT** sunlight.
 -  ● Do not place furniture near **heating or cooling** vents.
 -  ● Do not write on furniture without a padded barrier to protect the surface.
 -  ● For indoor use only. Do not place furniture outside.
 -  ● For residential use only. Not for commercial use.
 -  ● Stains may be removed with mild soap solution and damp cloth.
-
-  ● Dust and pick-up spills using a clean, non-colored, lint-free cloth.