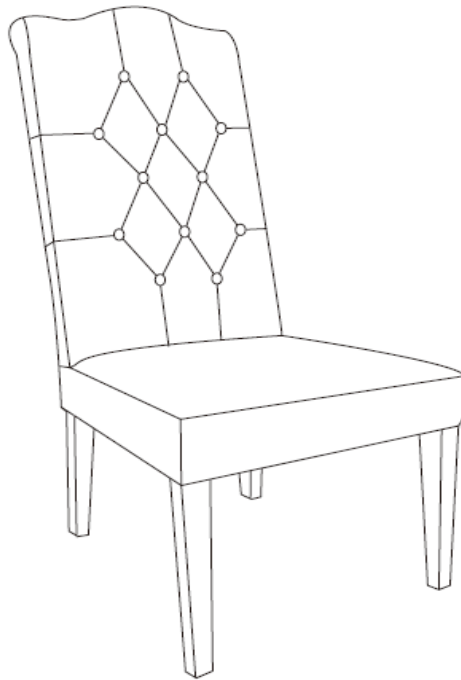


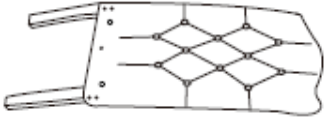
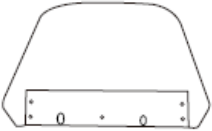
# Assembly Instructions


**Caution : You must read this before you proceed**

## CHAIR









### Parts List

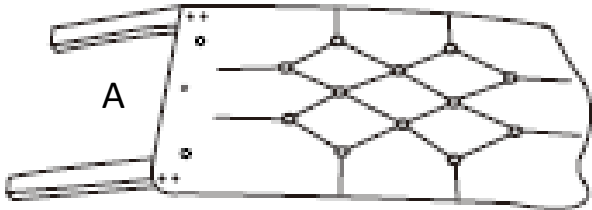
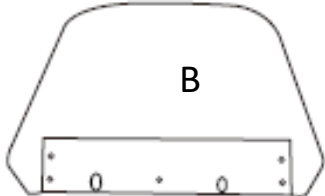
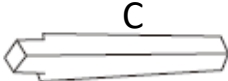






Label	Picture	Description	QTY
A		Chair Back	1
B		Chair Seat	1

C		Front Leg	2
---	---	-----------	---

## Hardware

Label	Picture	Description	QTY
①		Bolt (M8x60mm)	6
②		Bolt (M8x70mm)	5
③		Flat Washer	11
④		Spring Washer	11
⑤		Allen Wrench	1
⑥		Tenon	3

## Assembly Preparation

<p>Before Beginning Assembly:</p>				
	 x2	 X 6	 X 11	
		 X 5	 X 11	
		 X 3		



- Read instructions, cover to cover-



- Have 2 adults on hand for assembly-



- Do not assemble on flooring or carpet-



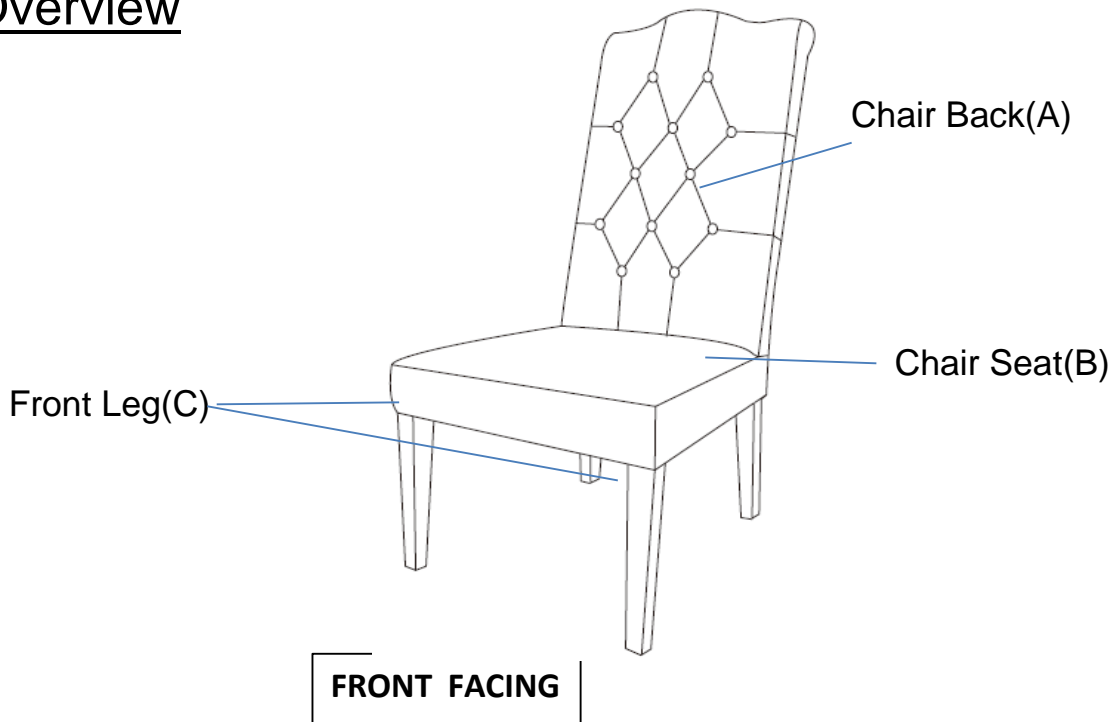
- Assemble on a clean non-marring surface (packing foam)-



- Save all packaging until finished-

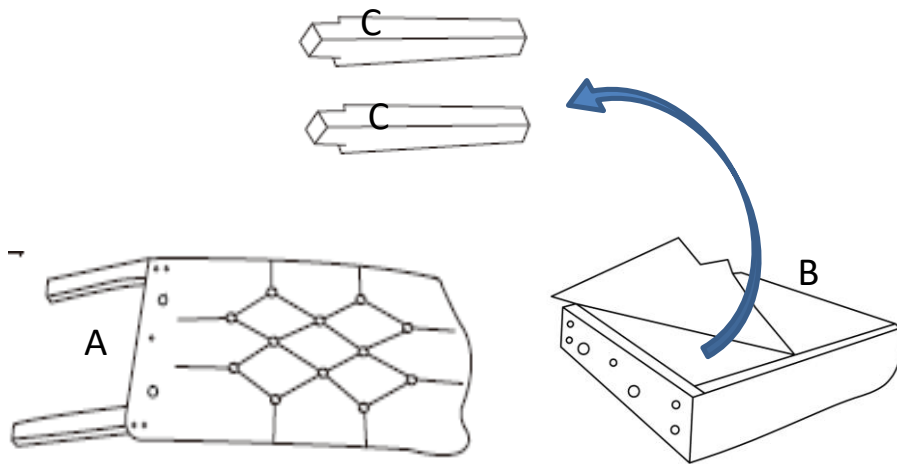
## Assembly Steps

### Overview



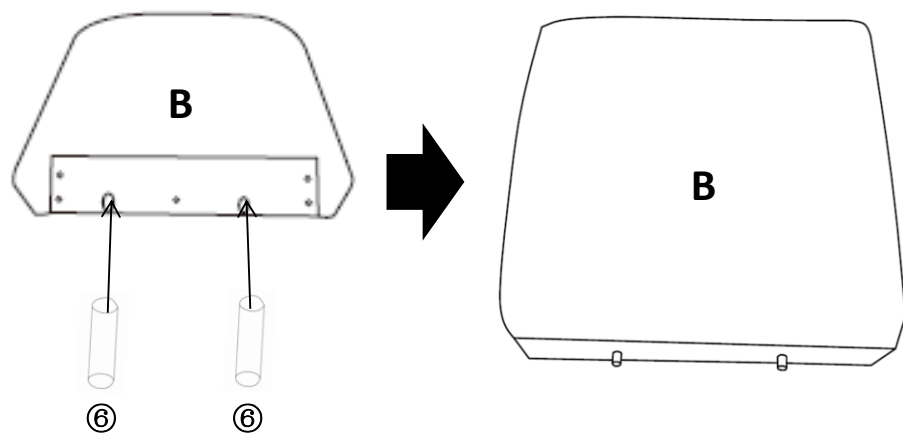
This Chair has multiple parts and may require up to some 30 minutes to assemble. To give you an overview of the chair parts, the above picture is to help you put the various parts into perspective. Please read through the instructions below to familiarise yourself with the parts and steps before assembly.

## Step 1



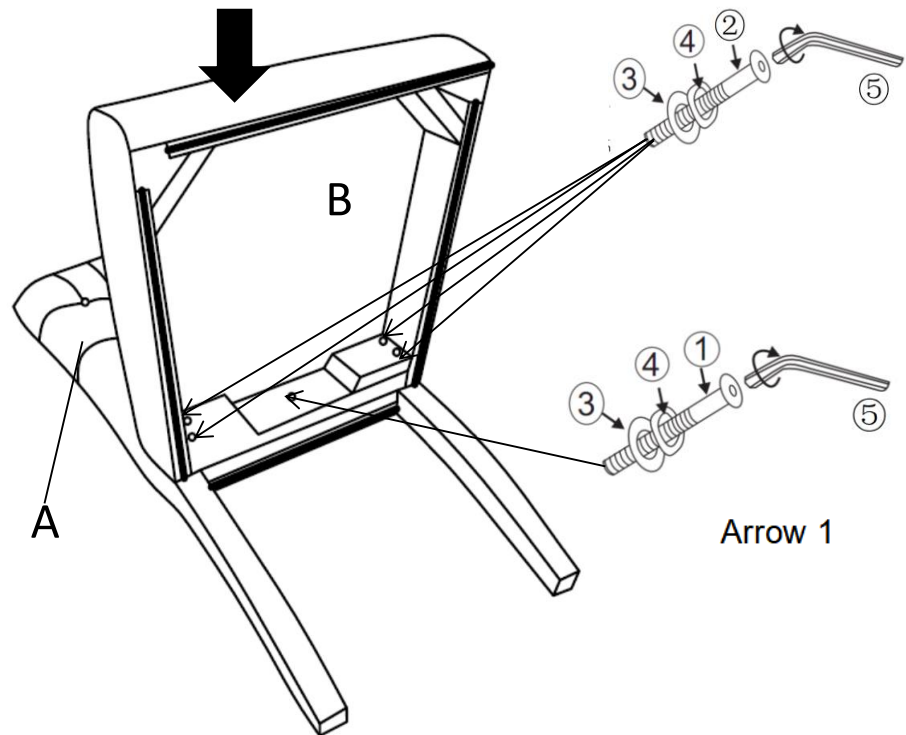
Place the Chair Back(A) on a soft surface to avoid any scratches or damages to the product.  
REMOVE the Seat Base Cover from the Chair Seat(B), take out the front legs and hardware accessories.

## Step 2



Insert the Tenons (⑤) into the corresponding holes on the Chair Seat (B) according to the corresponding positions in the picture, and insert them firmly until they can no longer be inserted. The final effect is shown in the figure on the right.

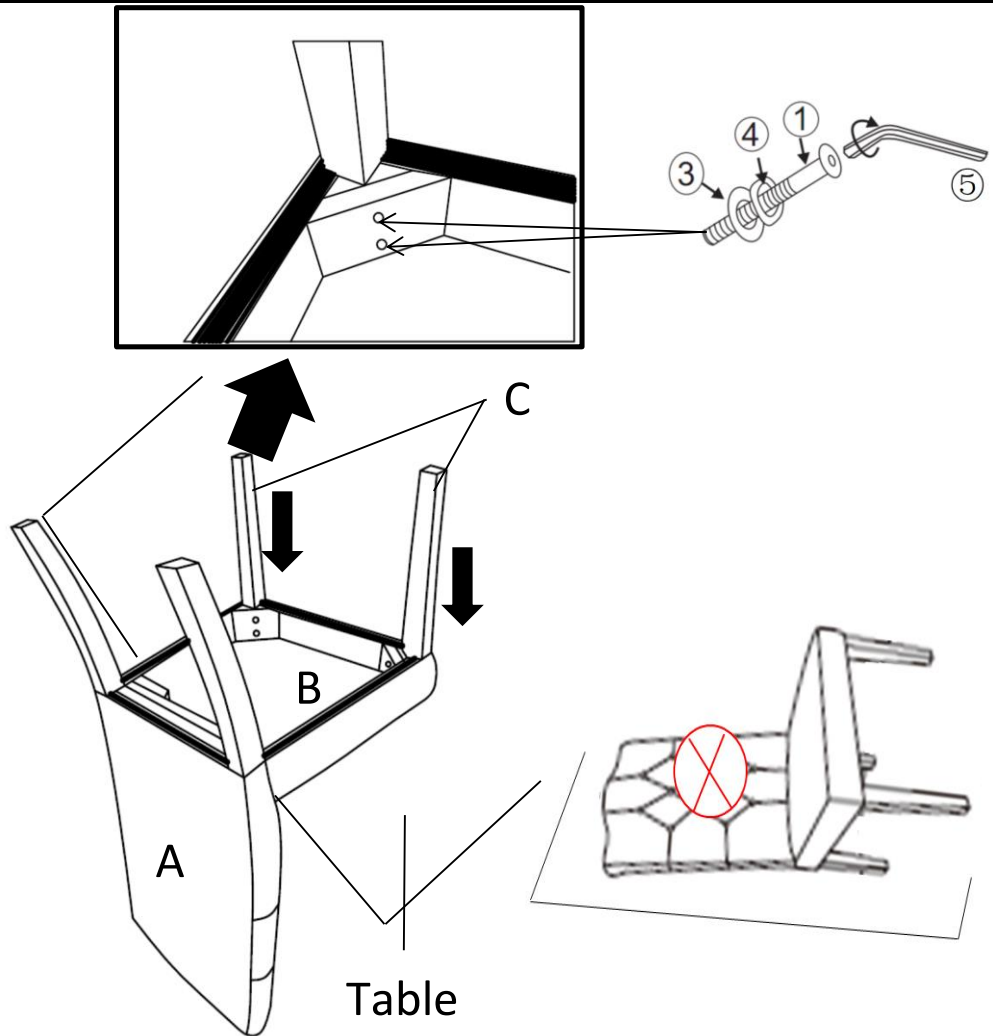
### Step 3



3.1 Install the Chair Seat (B) using the Allen Wrench (⑤), Bolts (①), Spring Washers (③) and Flat washers (④), as pictured above ( Arrow 1).

3.2 Install the Chair Seat (B) using the Allen Wrench (⑤), Bolts (②), Spring Washers (③) and Flat washers (④), as pictured above.

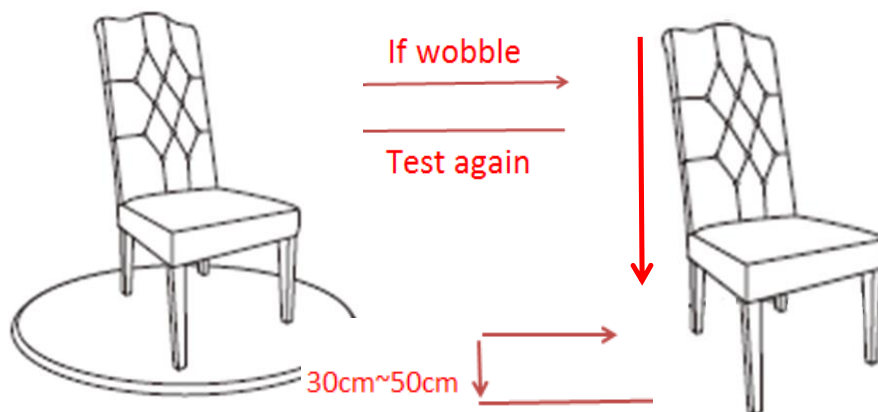
## Step 4



Connect the Front Legs (C) using the Allen Wrench (⑤), Bolts (①), Spring washers (③) and Flat washers (④), as pictured above. Do not fully tighten the Bolts at this time.

**WARNING!! DO NOT OVER TIGHTEN. OVER TIGHTENING COULD LEAD TO DAMAGE OF THE PRODUCT. TIGHTEN ONLY UNTIL SECURE AND STABLE.**

## Step 5



Place the chair on a LEVEL SURFACE to see if it wobbles.  
If it wobbles, lift the chair to some 30cm to 50cm from the ground.  
Keep your feet and toes well away from the drop zone.  
Drop the chair freely and vertically with the four legs, hitting the ground, at the same time.

This Drop Test will help to ensure that all the bolts and gaps reach full alignment status.

Test again for evenness on a LEVEL SURFACE.

If no wobbles found, proceed to tighten all the bolts.

**CAUTION :** When tightening these bolts, tighten sequentially.

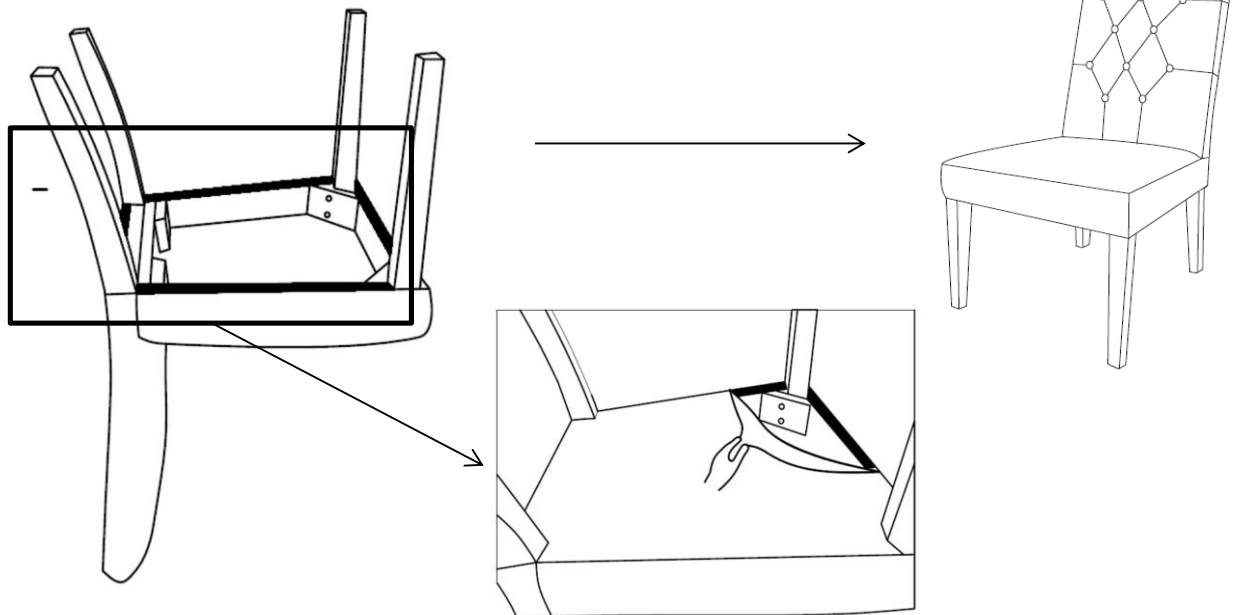
**DO NOT** tighten any bolt fully and then move towards the next one.

This would cause the frame to warp.

If there are still wobbles, loosen the bolts and execute this same drop test.

**WARNING!! IF THE CHAIR IS NOT STABLE , IT COULD LEAD TO DAMAGING THE PRODUCT.**

## Step 6



The assembly can be completed by sealing the backing cloth.

Your Chair is ready for use.

This Chair can only be used on a flat, level surface.

## Care & Maintenance



- Furniture may scratch floors. We recommend using furniture pads to protect your floors.



- Do not put hot items directly on furniture surface.



- Do not clean furniture with harsh cleansers or polish.



- Do not place furniture under direct sunlight.



- Do not place furniture near heating or cooling vents.



- Do not write on furniture without a padded barrier to protect the surface.



- Do not place furniture outside . For indoor use only.



- Not for commercial use. For residential use only.



- Stains may be removed with mild soap solution and damp cloth.



- Children should not climb or jump on the furniture.



- Dust and pick-up spills using a clean, non-colored, lint-free cloth.