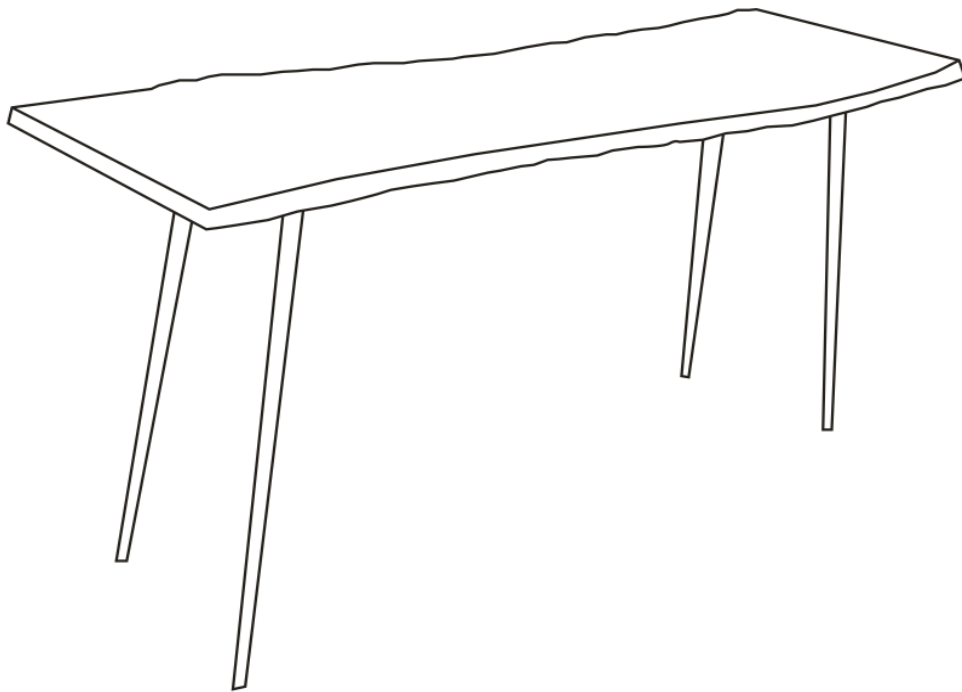


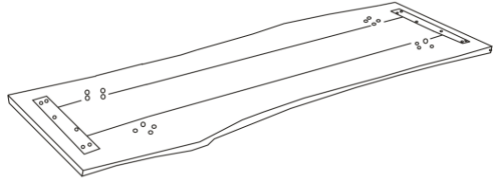

# Assembly Instructions

**Caution : You must read this before you proceed**




## Console table



## Parts List

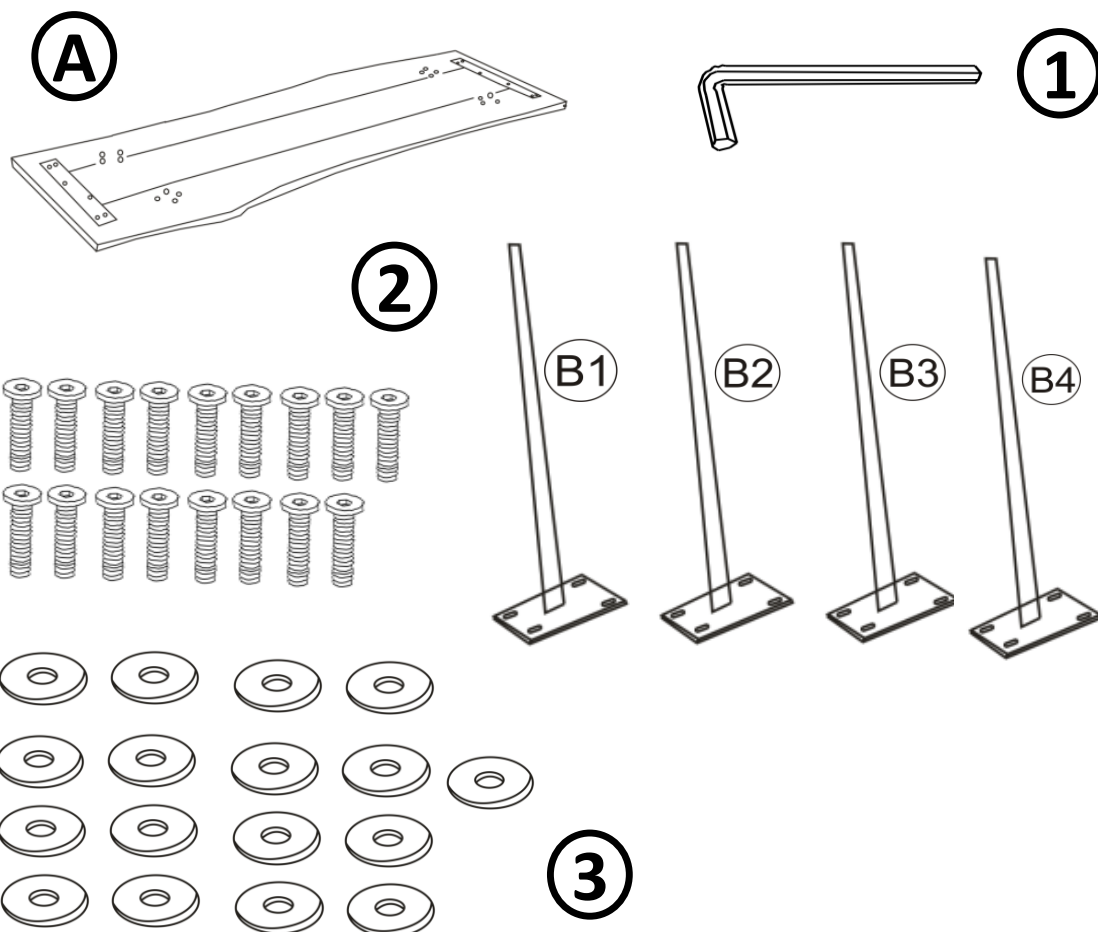
Label	Picture	Description	QTY
A		Top	1
B1 - B4		Legs	4

## Hardware

Label	Picture	Description	QTY
①		Allen Wrench	1
②		Allen Screw ( 8x25 MM)	17
③		Washer	17

# Assembly Preparation

Before Beginning Assembly:



• Read instructions, cover to cover-



• Have 2 adults on hand for assembly-



• Do not assemble on flooring or carpet-



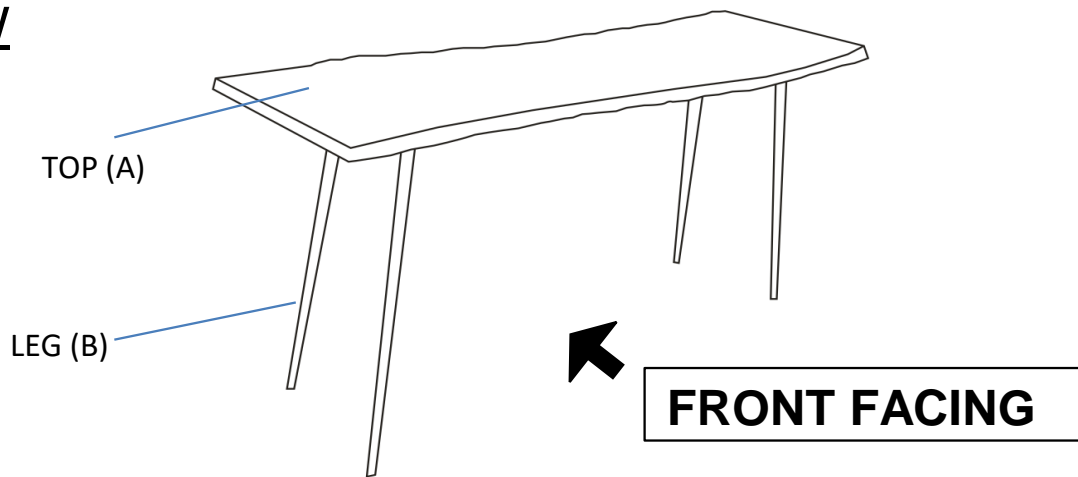
• Assemble on a clean non-marring surface (packing foam)-



• Save all packaging until finished-

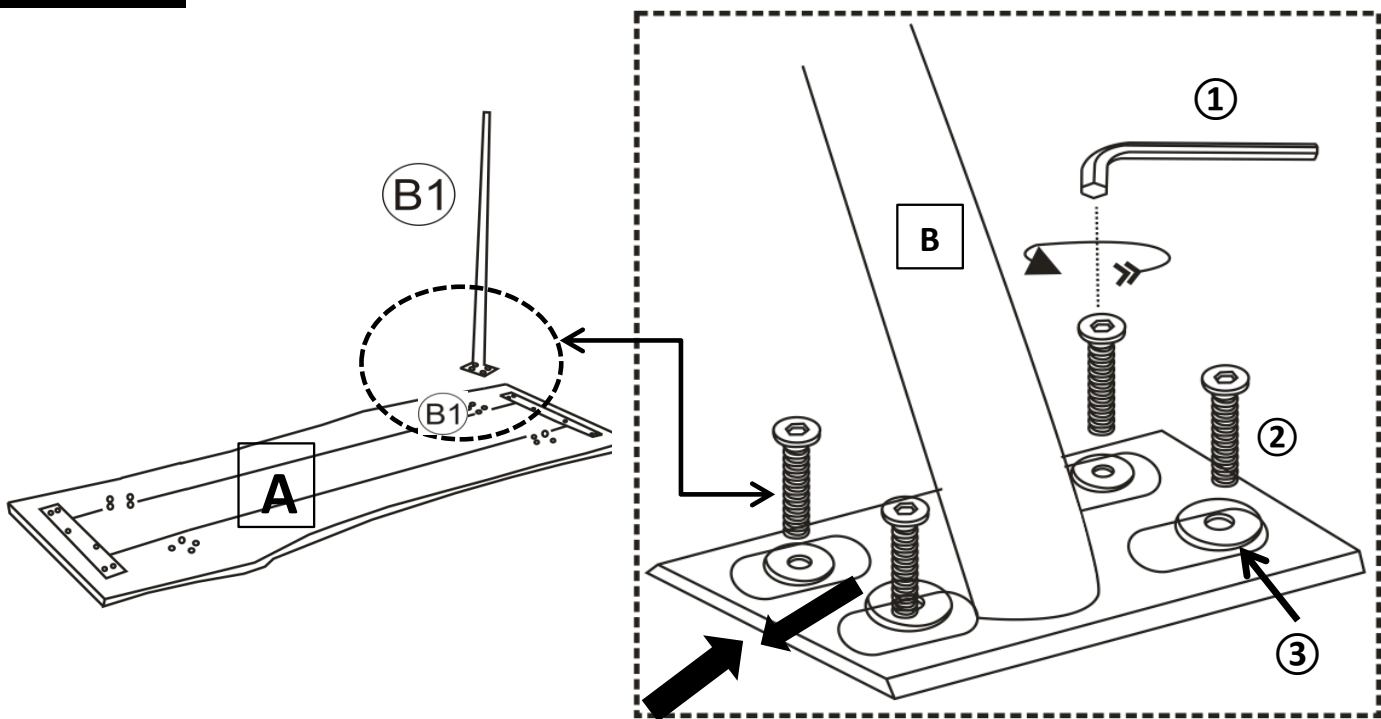
# Assembly Steps

## Overview



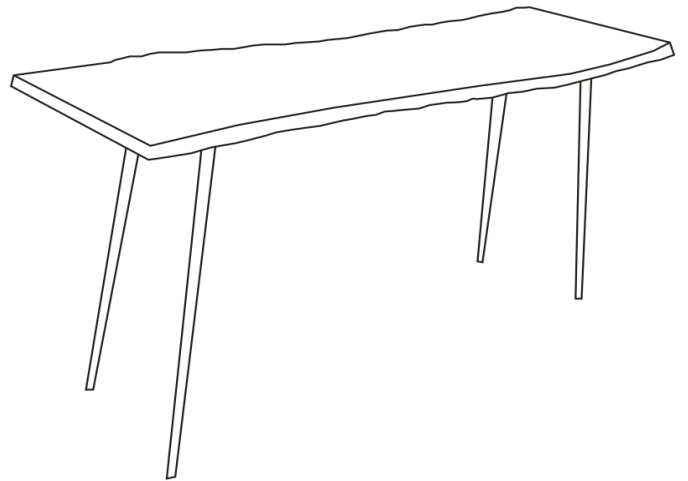
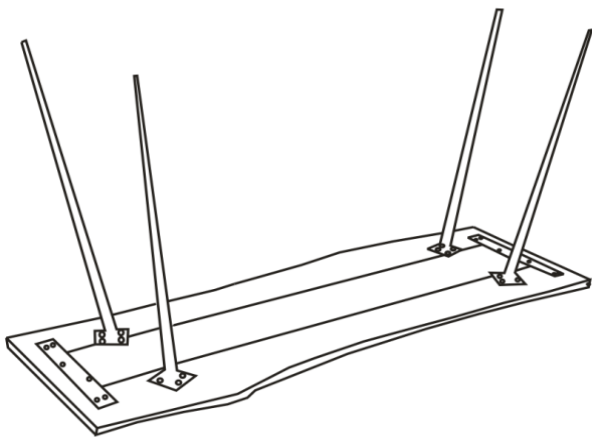
This Console table has multiple parts and may require up to some 30 minutes to assemble. To give you an overview of the console table parts, the above picture is to help you put the various parts into perspective. Please read through the instructions below to familiarise yourself with the parts and steps before assembly.

## Step 1



With assistance from your adult partner, place the Console Top (A) face down as picture, on a clean non-marring surface. Match the arrow marks on the top and leg B to tighten correctly. As shown in "Step 1" picture attach Leg (B1) Match to Hole (B1) to Console Top (A) using washer (③) on leg holes after use Allen Screw (②) and Allen Wrench (①). Tightened the Screws fully in a sequential manner. Repeat the same for other Legs with numbers.

## **Step-2**



Flip the Console Table as shown in "Step 2" and check the stability on a flat surface.

Move the Console Table to wall.

This Console Table is now ready to use.

**Caution: This Console Table can only be used on flat, level surface.**

## Care & Maintenance



- Furniture may scratch floors. We recommend using furniture pads to protect your floors.



- Do not put hot items directly on furniture surface.



- Do not clean furniture with harsh cleansers or polish.



- Do not place furniture under direct sunlight.



- Do not place furniture near heating or cooling vents.



- Do not write on furniture without a padded barrier to protect the surface.



- Do not place furniture outside . For indoor use only.



- Not for commercial use. For residential use only.



- Stains may be removed with mild soap solution and damp cloth.



- Children should not climb or jump on the furniture.



- Dust and pick-up spills using a clean, non-colored, lint-free cloth.