

Assembly Instructions

Caution : You must read this before you proceed

Care & Maintenance



- Not for commercial use. For residential use only.



- Furniture may scratch floors. We recommend using furniture pads to protect your floors.



- Do not put hot items directly on furniture surface.



- Do not clean furniture with harsh cleansers or polish.



- Do not place furniture under direct sunlight.



- Do not place furniture near heating or cooling vents.



- Do not write on furniture without a padded barrier to protect the surface.



- Do not place furniture outside . For indoor use only.



- Stains may be removed with mild soap solution and damp cloth.

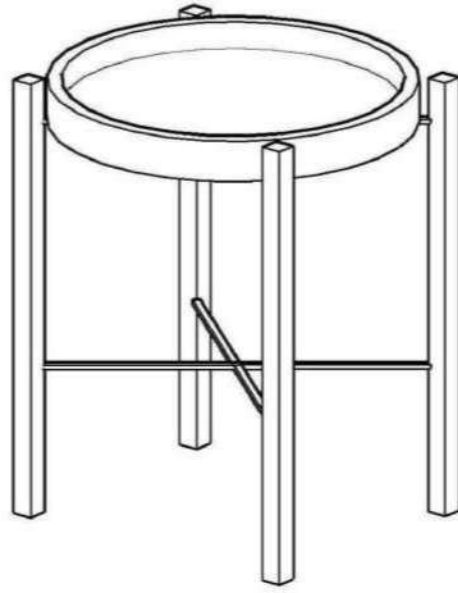


- Children should not climb or jump on the furniture.

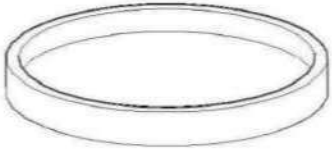



- Dust and pick-up spills using a clean, non-colored, lint-free cloth.

END TABLE

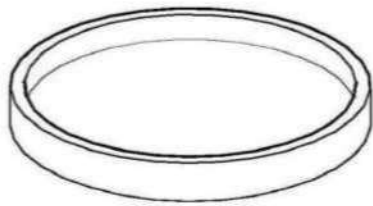


Parts List

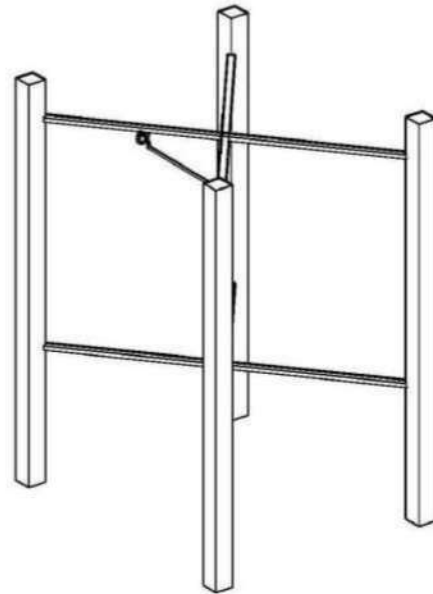
Label	Picture	Description	QTY
A		Tray Top	1
B		Iron Base	1

Assembly Preparation

Before Beginning Assembly



A



B



- Read instructions, cover to cover-



- Have 2 adults on hand for assembly-



- Do not assemble on flooring or carpet-



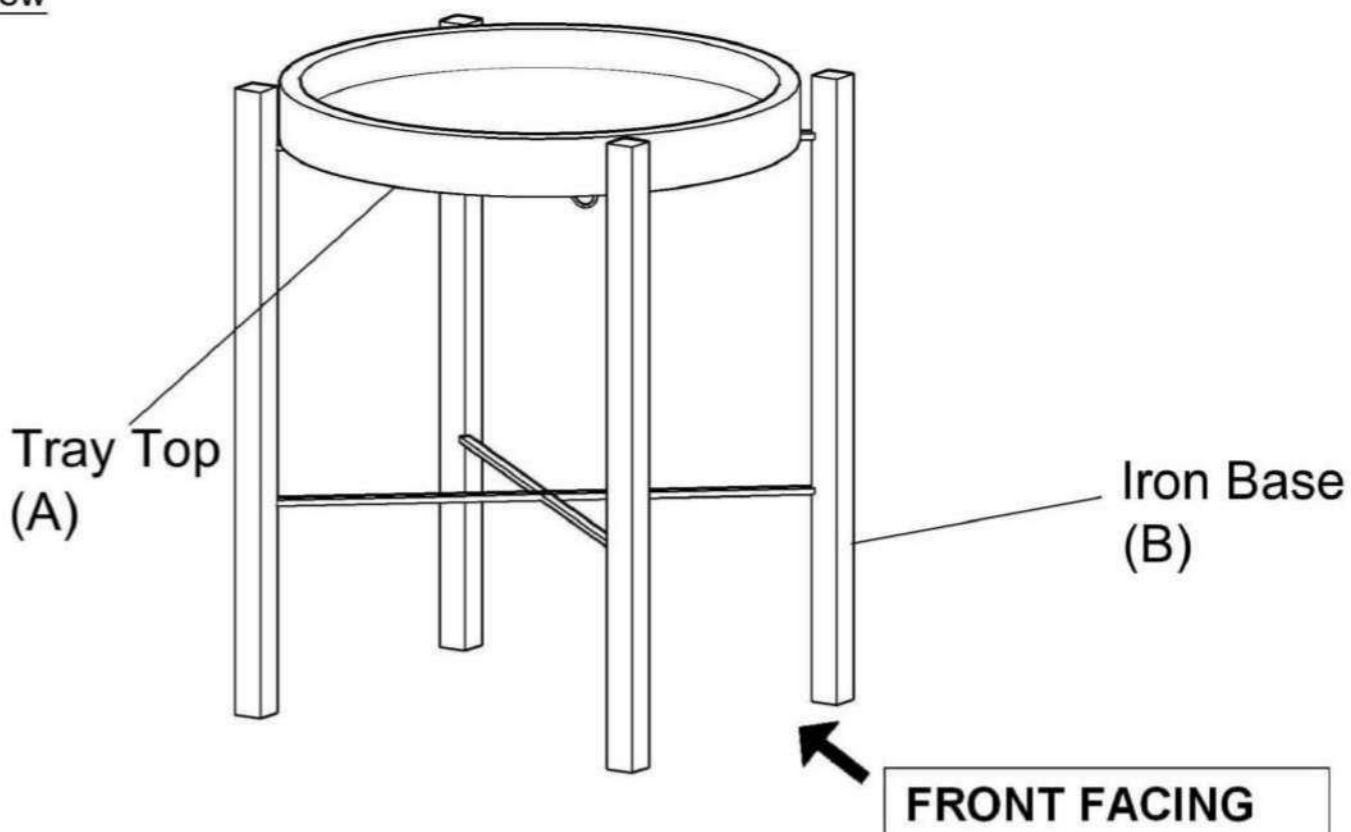
- Assemble on a clean non-marring surface (packing foam)-



- Save all packaging until finished-

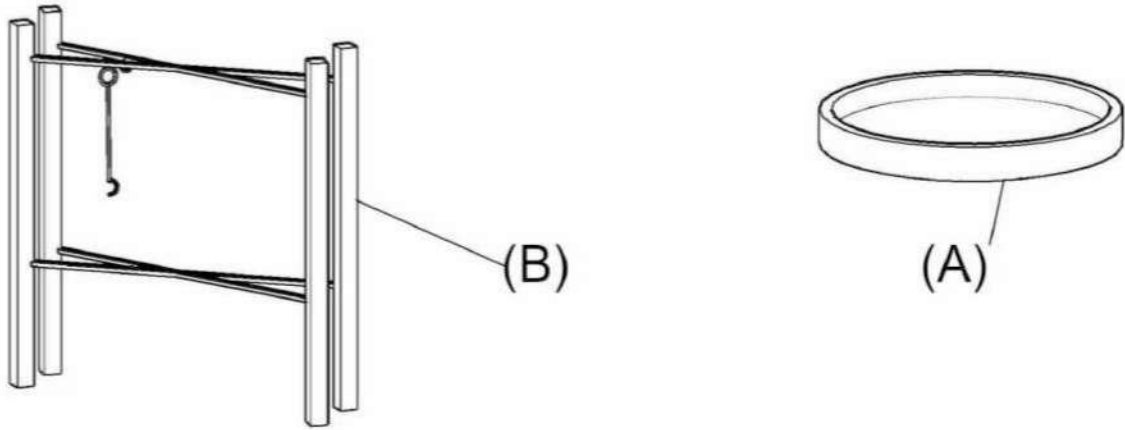
Assembly Steps

Overview



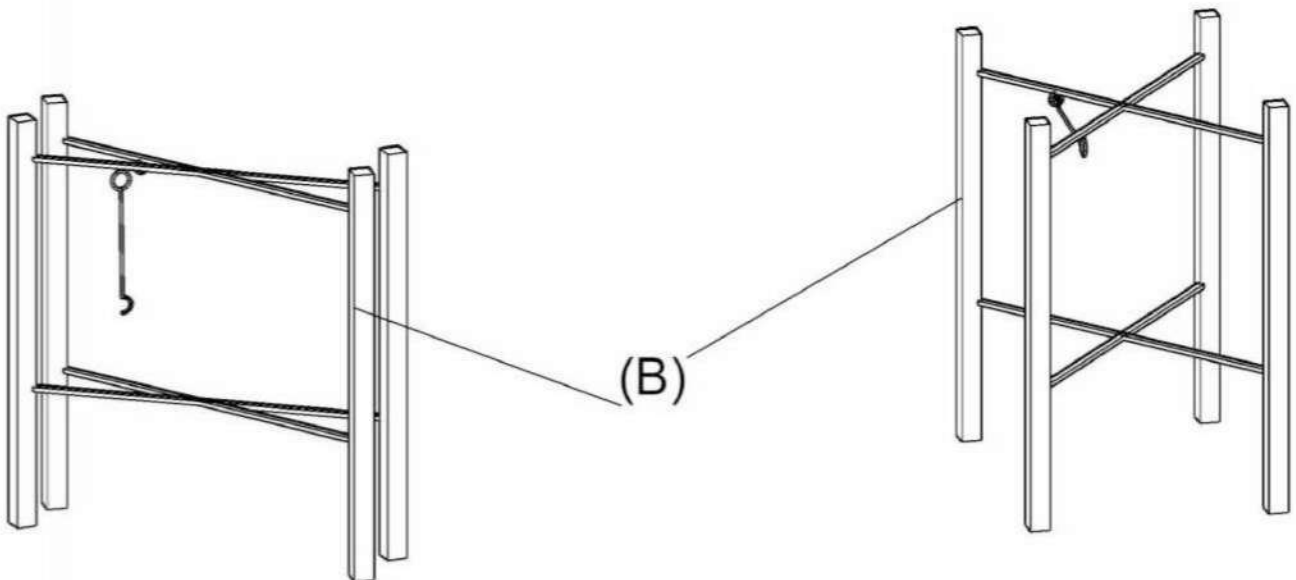
This End Table has multiple parts and may require up to some 30 minutes to assemble. To give you an overview of the End Table parts, the above picture is to help you put the various parts into perspective. Please read through the instructions below to familiarise yourself with the parts and steps before assembly.

Step 1



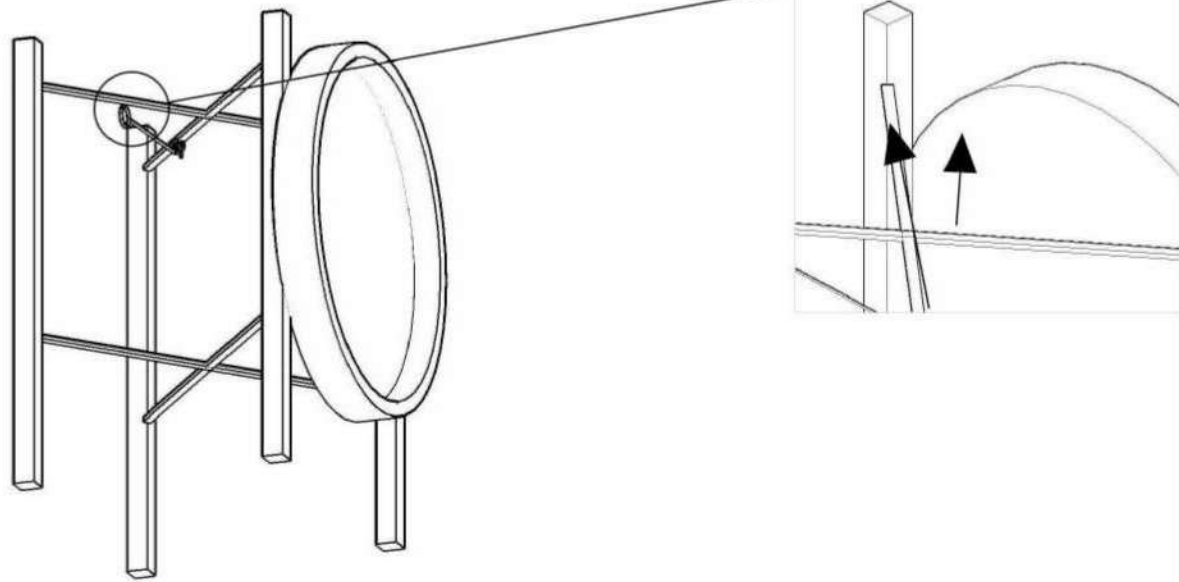
Unpack and place all parts on a clean, non-marring surface.

Step 2



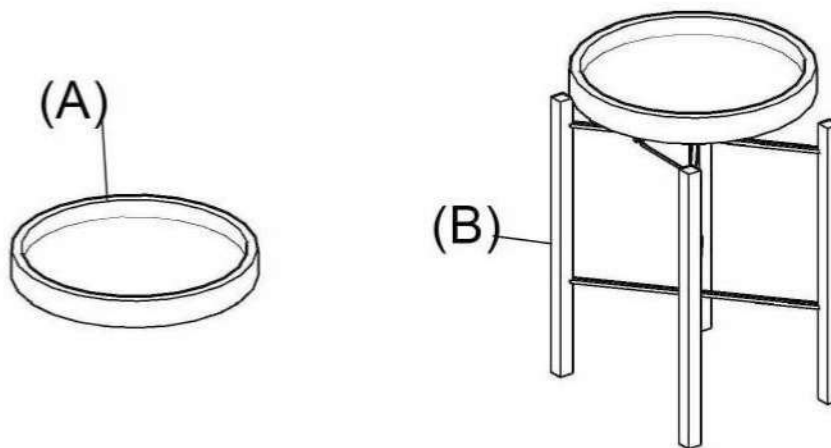
Hold up the collapsible Iron Base (B) as shown above and fix it with attached latch

Step 3



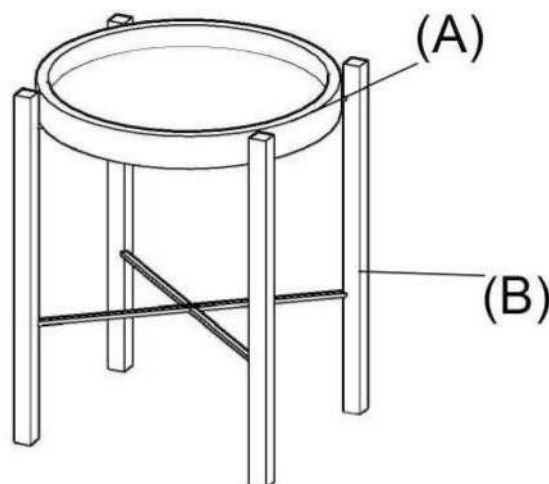
As shown above, the arrow mark underneath the Tray should be placed upright with the arrow mark on the iron base.

Step 4



Place the wooden End Top (A) on the Iron Base (B) as shown above.

Step 5



Place the End Table on **LEVEL SURFACE ONLY**.
This End Table is now ready to use.